



JOB:
ITEM:
QTY:



98606-FOLDING UTILITY TRUCK

SPECIFICATIONS:

Platform Frame:

Frame shall be 1 1/2" x 1 1/2" x .070 wall extruded aluminum tube welded into a rectangular frame (20" x 49") with three 1 1/2" x 1 1/2" x .070 wall tubular laterals welded within the frame. Near each corner and welded between frame perimeter and inside laterals are caster plates. Caster plates (2) of 4" x 4 1/2" x 3/8" thick and (2) 2 3/4" x 4" x 3/8" thick plate are welded in the back of the frame.

Folding Handle:

The folding end/handle is formed from a piece of 1 1/2" dia. x .153" thick piece of extruded aluminum pipe with 1/2" x 1" x .100 thick tube welded horizontal and vertical inside the 'U' shaped pipe. A push-handle of 1" x 1" x .070 aluminum tube is welded to the upper horizontal tube, this push-handle extends 5 1/2" behind the vertical pipe handle. The end/handle has a lock of 1/4" dia. stainless steel rod to hold it against the platform while in storage.

Casters:

This truck comes equipped with two 5" x 2" platform type swivel casters and two 8" x 2" carefree platform type rigid casters.



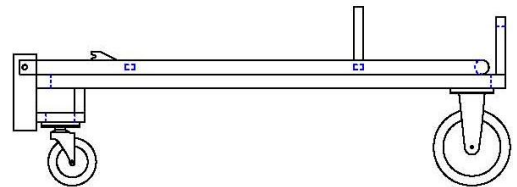
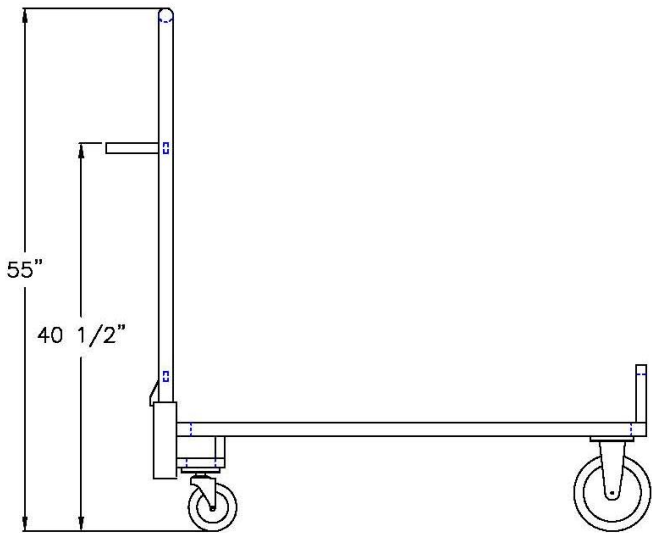
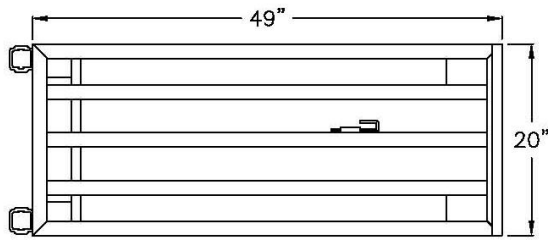
Model #98606



Phone: 800-255-0104
Fax: 877-877-7687
www.newageindustrial.com
sales@newageindustrial.com

New Age Industrial reserves the right to modify or make changes at any time without notice to materials and specifications.

Deck Size



Model #98606

Model No.	Size-W	Size-H	Size-D	Wt. Cap.	Deck Height
98606	20"	55"	56 3/8"	800#	11 3/8"

Guaranteed To Last:

Each unit carries a **Lifetime Guarantee** against rust and corrosion as well as a **Five-Year Guarantee** against material defects and workmanship.



Phone: 800-255-0104
 Fax: 877-877-7687
www.newageindustrial.com
sales@newageindustrial.com

New Age Industrial reserves the right to modify or make changes at any time without notice to materials and specifications.