



JOB:
ITEM:
QTY:



99304-LUG DOLLY/BUSSING CART

APPLICATION:

Work saving mobile cart for prepping, transporting, and storage of all types of products. Open Bar frame is easy to keep clean and is great for bussing tables! Narrow 15-3/4" wide design goes anywhere, ideal in narrow spaces. The 50# capacity tubs are built to last! Tubs are easy to load and unload without much lifting.

MATERIAL:

The framework is constructed out of 1"x1"x.070" wall tubing. Lugs are held by 1" Diameter pipe.

CASTERS:

This cart comes equipped with four 5" stem type swivel casters.

GUARANTEE:

This cart carries a **Lifetime Guarantee** against rust and corrosion and also carries a **Five-Year Guarantee** against workmanship and material defects.

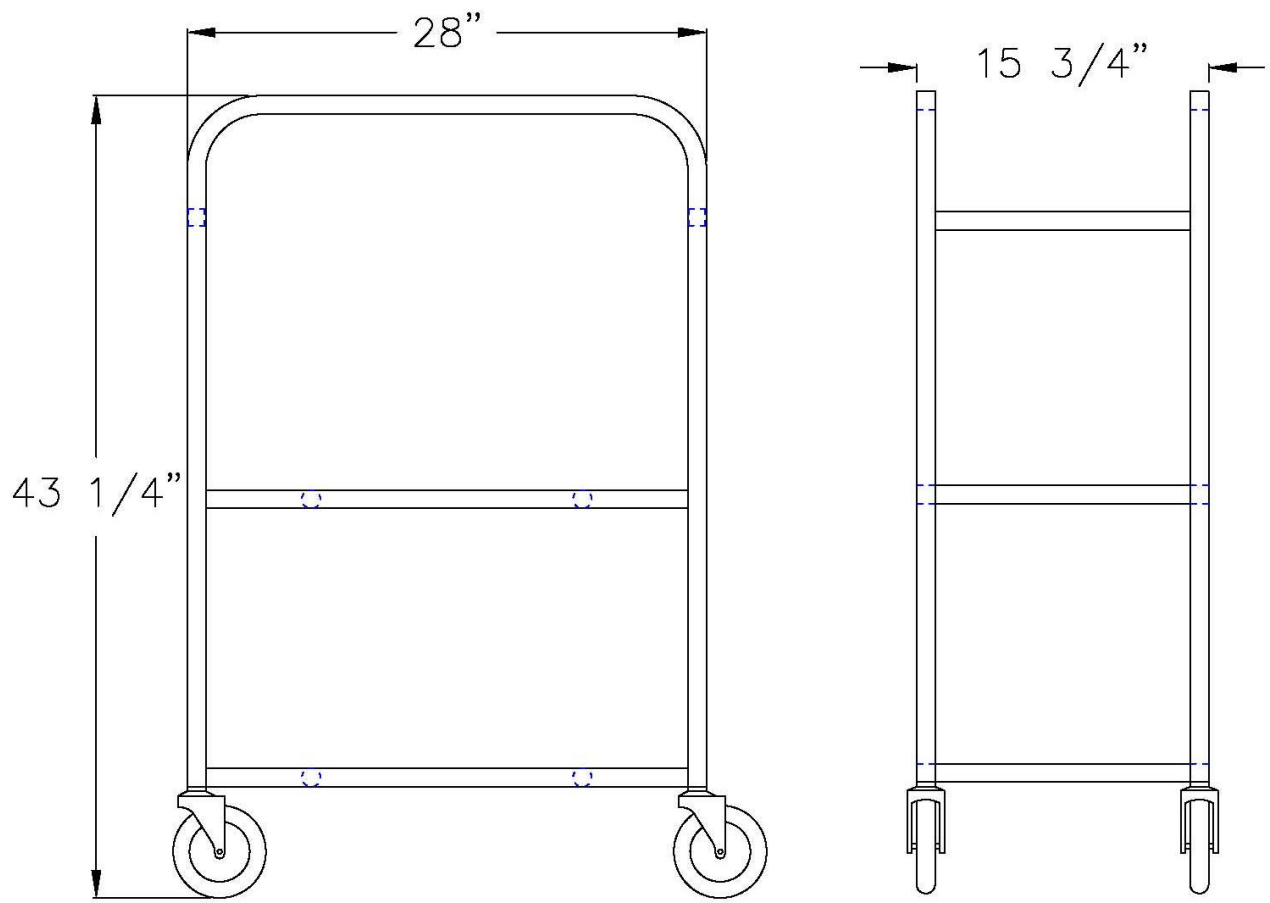


Model #99304



Phone: 800-255-0104
Fax: 877-877-7687
www.newageindustrial.com
sales@newageindustrial.com

New Age Industrial reserves the right to modify or make changes at any time without notice to materials and specifications.



Model #99304

Model No.	Size-W	Size-H	Size-D	Lug Cap.
99304	15 3/4"	43 1/4"	28"	3



Phone: 800-255-0104
 Fax: 877-877-7687
www.newageindustrial.com
sales@newageindustrial.com

New Age Industrial reserves the right to modify or make changes at any time without notice to materials and specifications.