

Project _____
 Item _____
 Quantity _____
 CSI Section 11400
 Approval _____
 Date _____

AJX-44

Models

AJX-44



Standard Features

- 25" clearance accommodates larger wares, such as sheet pans, mixing bowls, etc.
- Exclusive EnergyGuard™ controls
- Fully automatic, including auto-fill
- Electromechanical controls
- Adjust-A-Peak™ adjustable conveyor speed allows machine to extend wash time and rinse contact for heavy soil conditions
- Self-draining stainless steel wash pump
- Stainless steel scrap baskets
- Splash shields
- Front dress panel
- Externally operated drain lever
- Adjustable bullet feet
- Stainless steel frame and legs
- Exhaust vent fan control
- 18kW wash tank heater

Mandatory Specs

Specify:

- Electric Steam

Specify Voltage _____

Specify Sanitizing Method:

- High Temperature
 Chemical Sanitizing

Specify Direction of Operation:

- Left to Right
 Right to Left

Options & Accessories

- Booster Heater
 40° F (22.2° C) Rise - 17kW
 70° F (38.9° C) Rise - 30kW
 Steam Booster Heater
 23" (584 mm) Unhooded Side Loader
 23" (584 mm) Hooded Side Loader
 30" (762 mm) Unhooded Side Loader
 30" (762 mm) Hooded Side Loader
 1/2" Pressure Regulator
 Flanged Feet
 Blower Dryer
 Vent Cowl Collars (set of 2)
 Prison Package
 Drain Quench System
 Scaltrol
 Water Hammer Arrestor
 Strikeplate Table Limit Switch
 36-Compartment Rack
 4-1/8" tall (105 mm)
 5-5/8" tall (143 mm)
 7" tall (178 mm)
 Combination Rack
 Peg Rack
 Sheet Pan Rack

Specifications

High-temperature model uses 0.68 gallons (2.57 liters) per rack. Chemical-sanitizing model uses 0.78 gallons (2.95 liters) per rack

High-temperature model cleans 225 racks per hour. Chemical-sanitizing model cleans 209 racks per hour

8" (203 mm) splash shields on both wash and rinse ends

25" (635 mm) chamber height clearance accommodates larger wares

18" (457 mm) wash section with an 18" (457 mm) separation between wash and rinse

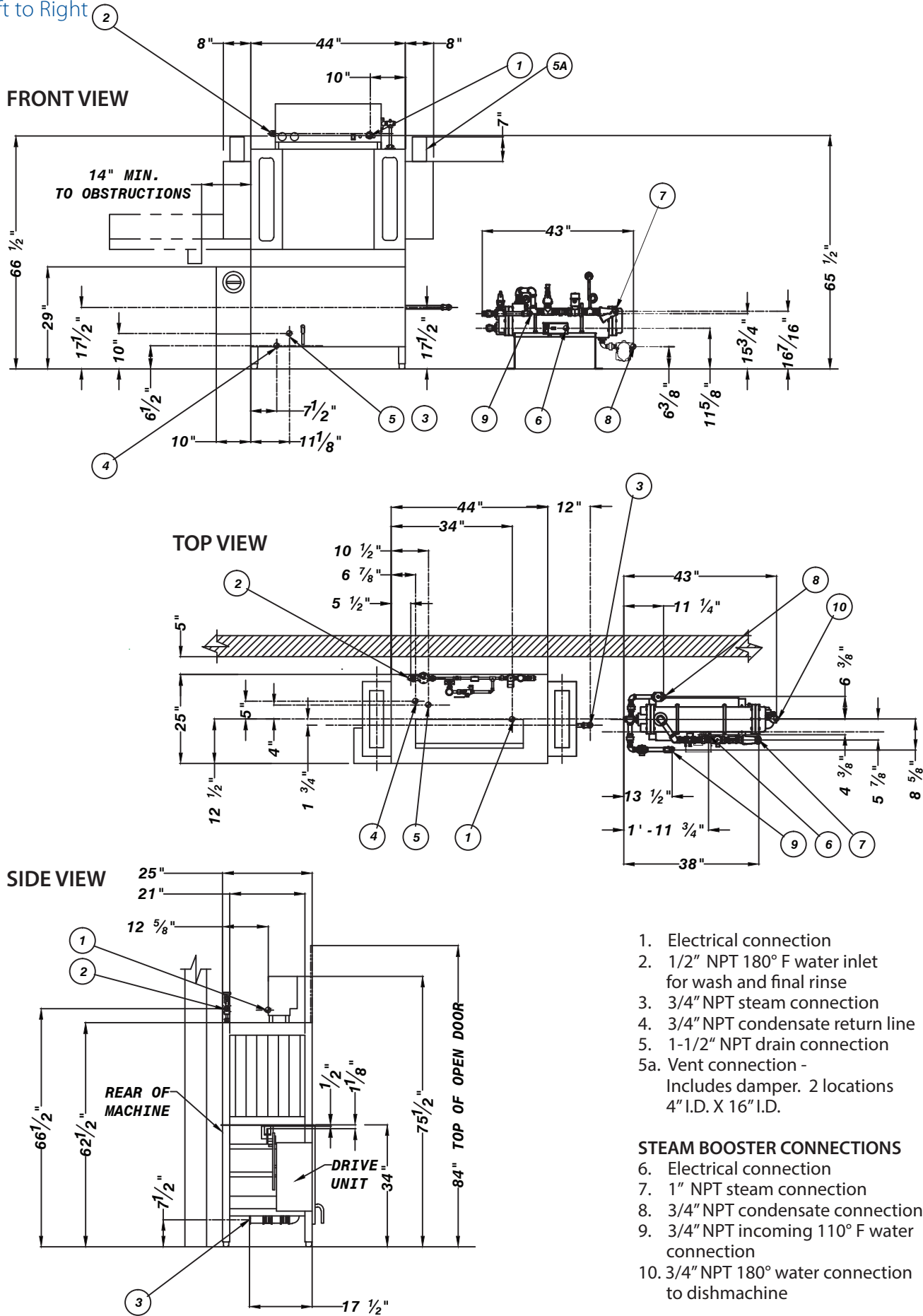
Durable stainless steel construction



Intertek

AJX-44

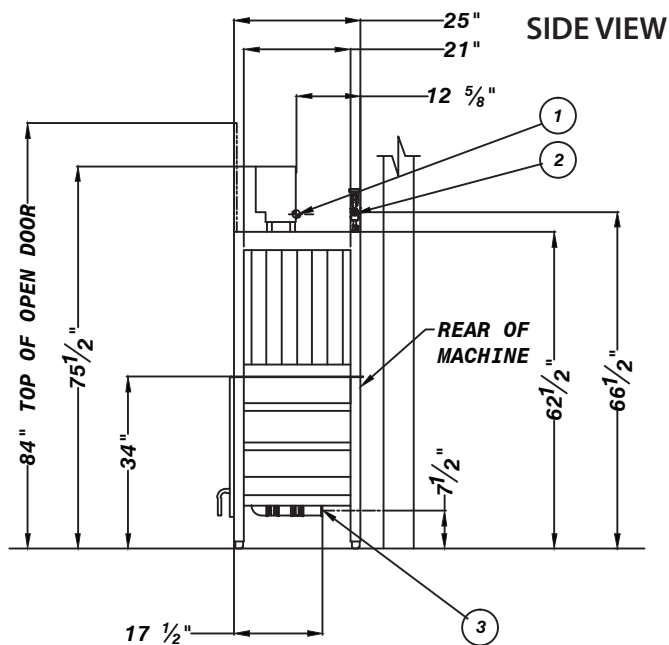
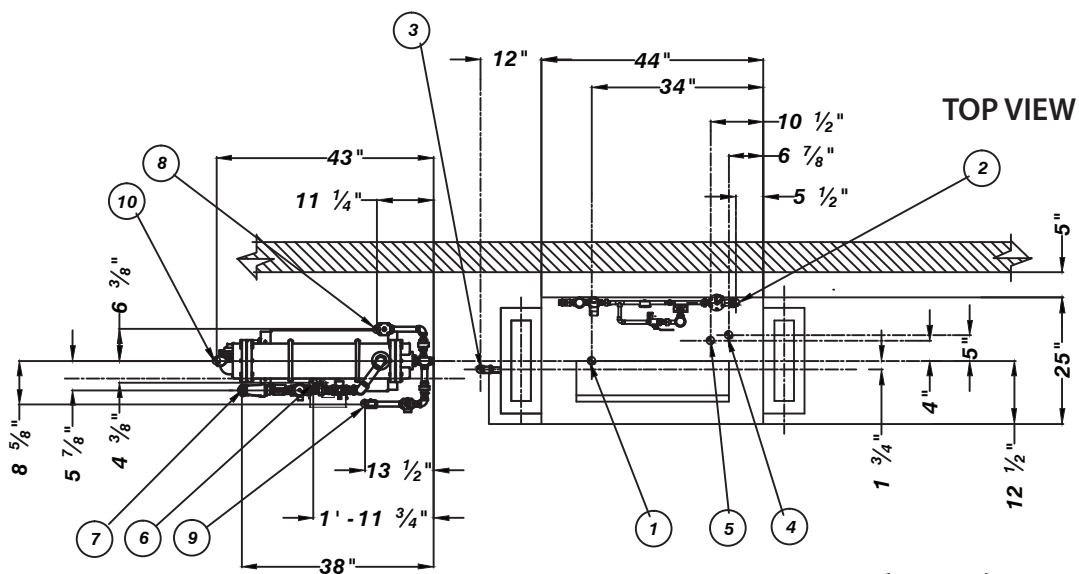
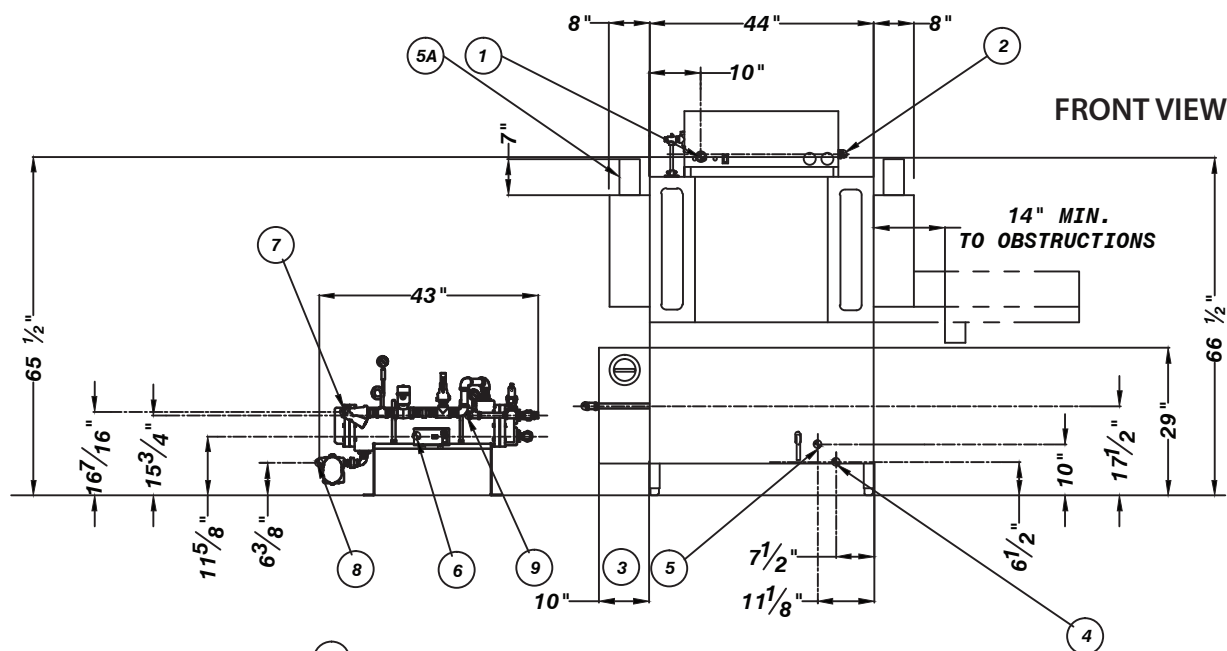
Left to Right



1. Electrical connection
2. 1/2" NPT 180° F water inlet for wash and final rinse
3. 3/4" NPT steam connection
4. 3/4" NPT condensate return line
5. 1-1/2" NPT drain connection
- 5a. Vent connection - Includes damper. 2 locations 4" I.D. X 16" I.D.

STEAM BOOSTER CONNECTIONS

6. Electrical connection
7. 1" NPT steam connection
8. 3/4" NPT condensate connection
9. 3/4" NPT incoming 110° F water connection
10. 3/4" NPT 180° water connection to dishmachine



1. Electrical connection
2. 1/2" NPT 180° F water inlet for wash and final rinse
3. 3/4" NPT steam connection
4. 3/4" NPT condensate return line
5. 1-1/2" NPT drain connection
- 5a. Vent connection - Includes damper. 2 locations 4" I.D. X 16" I.D.

STEAM BOOSTER CONNECTIONS

6. Electrical connection
7. 1" NPT steam connection
8. 3/4" NPT condensate connection
9. 3/4" NPT incoming 110° F water connection
10. 3/4" NPT 180° water connection to dishmachine

Recommended Table Fabrication

Note: Tub Will Accept a Table Flange Up to 24 7/8" (632 mm)

3/4" (19 mm) Table Turndown Flange 3/4" Max

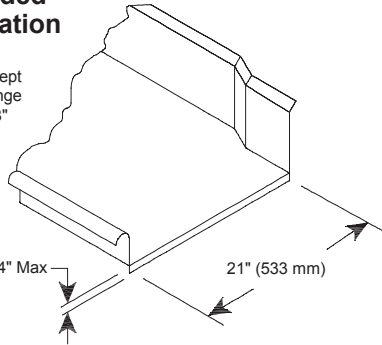
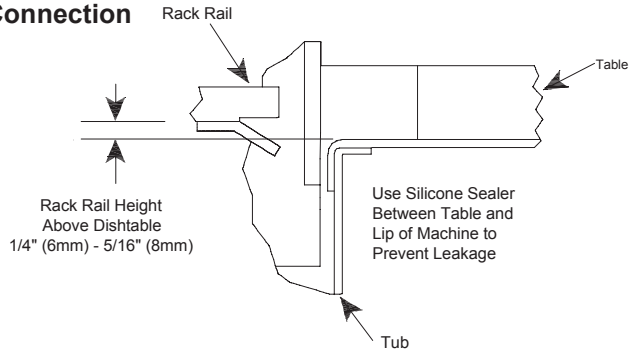


Table Connection



| MODEL NO. | MACHINE DIMENSIONS | | | | | SHIPPING INFORMATION | | | | | |
|-----------|--------------------|-----------------------|---------------------------|--------------|-----------------|----------------------|-------|----------------|---------------|---------------|---------------|
| | HEIGHT | HEIGHT WITH DOOR OPEN | LENGTH BETWEEN DISHTABLES | DEPTH | DRAIN HEIGHT | WEIGHT | CLASS | CUBE | HEIGHT | WIDTH | DEPTH |
| AJX-44 | 75-1/2" (1919 mm) | 84" (2134 mm) | 44" (1118 mm) | 25" (635 mm) | 7-1/2" (191 mm) | 651 lbs (296 kg) | 200 | 144.26 cu. ft. | 82" (2083 mm) | 76" (1931 mm) | 40" (1016 mm) |

| DIMENSION REQUIREMENTS | |
|--------------------------|-----------------|
| Wall Clearance (minimum) | 4-1/2" (114 mm) |
| Standard Table Height | 34" (864 mm) |
| Inside Clearance | 25" (635 mm) |

| OPERATING CAPACITY | | |
|--------------------|------------------|---------------------|
| | High-Temperature | Chemical Sanitizing |
| Racks per Hour | 225 | 209 |

| OPERATING TEMPERATURES | | |
|------------------------|------------------|---------------------|
| | High-Temperature | Chemical Sanitizing |
| Wash (minimum) | 160° F (71° C) | 140° F (60° C) |
| Rinse (minimum) | 180° F (82° C) | 140° F (60° C) |

| ELECTRICAL REQUIREMENTS | | |
|-----------------------------|----------|-------|
| Approximate Total Load AMPS | | |
| | Electric | Steam |
| 208V/60HZ/3PH | 56.7 | 6.7 |
| 208V/60HZ/1PH | 96.8 | 10.3 |
| 230V/60HZ/3PH | 51.9 | 6.7 |
| 230V/60HZ/1PH | 88.6 | 10.3 |
| 460V/60HZ/3PH | 26.0 | 3.4 |

| BOOSTER HEATER OPTIONS | | | | |
|------------------------|------------------------------|------|------------------------------|------|
| | 40° F (22.2° C) Minimum Rise | | 70° F (38.9° C) Minimum Rise | |
| | kW | AMPS | kW | AMPS |
| 208V/60HZ/3PH | 17.2 | 47.8 | 30 | 83.4 |
| 230V/60HZ/3PH | 18 | 45.2 | 30 | 75.4 |
| 460V/60HZ/3PH | 18 | 22.6 | 30 | 37.7 |

HOW TO SPECIFY: AJX-44

| WATER REQUIREMENTS | |
|---|--------------------|
| Inlet Temperature (minimum) | |
| With 40° F (22.2° C) Rise Booster Heater | 140° F (60° C) |
| With 70° F (38.9° C) Rise Booster Heater | 110° F (43° C) |
| Gallons per Hour - High-Temperature | 153 gal (579 L) |
| Gallons per Hour - Chemical Sanitizing | 163 gal (617 L) |
| Gallons per Rack - High-Temperature | .68 gal (2.6 L) |
| Gallons per Rack - Chemical Sanitizing | .78 gal (3.0 L) |
| Waterline Size IPS (minimum) | 1/2" |
| Drainline Size IPS (minimum) | 1-1/2" |
| Flow Pressure (PSI) | 15 |
| Flow Rate (minimum) - High -Temperature | 2.6 GPM (9.8 LPM) |
| Flow Rate (minimum) - Chemical Sanitizing | 2.7 GPM (10.2 LPM) |
| Wash Tank Capacity | 21 gal (79.5 L) |

| WASH PUMP | |
|--------------------|--------------------|
| Wash Pump Motor | 2 hp |
| Wash Pump Capacity | 270 GPM (1022 LPM) |

| CONVEYOR | |
|--|---------------------|
| Conveyor Motor | 1/4 hp |
| Conveyor Speed (feet per minute highest speed) | |
| High-Temperature | 6.2 FPM (1.9 MPM) |
| Chemical Sanitizing | 5.75 FPM (1.75 MPM) |

| VENTING REQUIREMENTS | | | |
|----------------------|-----------|------------|-----------|
| | Input End | Output End | Total CFM |
| | 200 CFM | 400 CFM | 600 CFM |

| STEAM COIL TANK HEAT (STEAM MODELS ONLY) | |
|--|-------|
| Steam Connection IPS | 3/4" |
| Steam Flow Pressure (PSIG) | 10-20 |
| Consumption @ 15 PSIG (lbs/hr) | 60 |

Jackson WWS, Inc.

Shipping Address: 6209 North U.S. Highway 25E, Gray, KY 40734
 Mailing Address: P.O. Box 1060, Barbourville, KY 40906
 Telephone: 888-800-5672 • Fax: 606-523-1799
 Email: info@jacksonwws.com
 07610-003-60-58 [03/02/17]

www.jacksonwws.com