

Project \_\_\_\_\_  
 Item \_\_\_\_\_  
 Quantity \_\_\_\_\_  
 CSI Section 11400  
 Approval \_\_\_\_\_  
 Date \_\_\_\_\_

Models  
 TempStar®



### Standard Features

- Sani-Sure™ feature assures proper rinse water temperature
- Multi-cycle timer (Extra Heavy, Heavy, Medium, Normal)
- Specially designed stainless steel nozzles provide superior cleaning action
- 17-1/4" (438 mm) door opening accepts 18" (457 mm) trays
- Interchangeable wash/rinse arms screw out for simple cleanup
- Auto-fill/auto-start
- Door switch
- Delime/manual wash switch
- Vent fan control - shuts vent fan off when machine is idle
- Low watt density electric wash tank heater
- Hi-limit thermostat and low water protection
- Top mounted controls for ease of operation
- Adjustable bullet feet
- Uses standard 20" X 20" (508 mm X 508 mm) racks
- Front dress panel
- Detergent/rinse additive signal connection fuse box
- Self-draining stainless steel pump
- Built-in 70° F (38.9° C) rise booster heater is standard; 40° F (22.2° C) rise booster heater is available but must be specified at time of order
- Large scrap basket

### Mandatory Specs

- Specify:
- Electric
  - Steam
- Specify voltage \_\_\_\_\_
- Specify booster size \_\_\_\_\_

### Options

- Optional 40° F (22.2° C) rise booster heater is available at no additional cost (must be specified)
- 480V Electrical
- Single Phase
- 1/2" Pressure Regulator
- Drain Quench System
- Scaltrol
- Water Hammer Arrestor
- Flanged Feet
- False Panel
- Door Interlock
- Steam Booster Heater
- Security Package

### Accessories

- 36-Compartment Rack
  - 4-1/8" tall (105 mm)
  - 5-5/8" tall (143 mm)
  - 7" tall (178 mm)
- Combination Rack
- Peg Rack

### Specifications

Uses 0.89 gallons (3 liters) of water per rack

Total automatic (normal) cycle - 57 seconds

58 racks per hour (normal) cycle

1 hp wash pump motor

Single point connections for all utilities

Field convertible from straight through to corner and vice versa

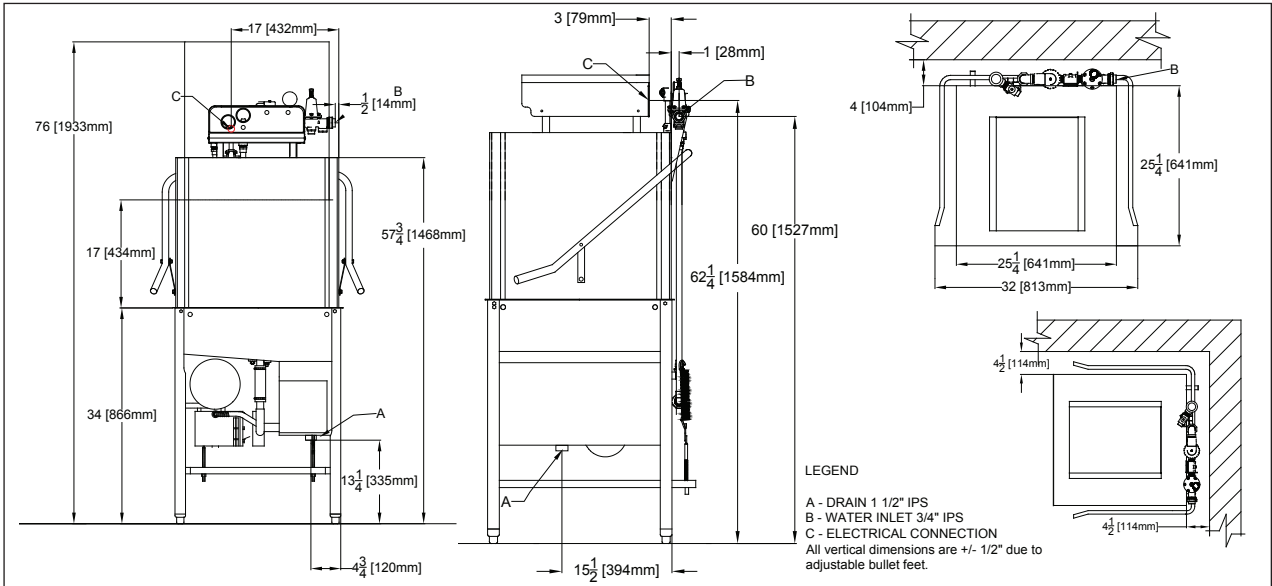
Field convertible from 3-phase to single-phase and vice versa

Durable stainless steel construction



Intertek





MODEL NO.	MACHINE DIMENSIONS			DRAIN HEIGHT	SHIPPING INFORMATION					
	HEIGHT	WIDTH	DEPTH		WEIGHT	CLASS	CUBE	HEIGHT	WIDTH	DEPTH
TempStar®	64-3/8" (1635 mm)	25-1/4" (641 mm)	25-1/4" (641 mm)	13-1/4" (335 mm)	263 lbs (120 kg)	200	58.15 cu. ft.	72.5" (1842 mm)	33" (839 mm)	42" (1067 mm)

DIMENSION REQUIREMENTS	
Wall Clearance (minimum)	4" (102 mm)
Standard Table Height	34" (864 mm)
Inside Clearance	17-1/4" (438 mm)
Machine Height with Door Open	76" (1933 mm)

STEAM REQUIREMENTS	
Steam Flow Pressure (PSIG)	15-20
Consumption @ 15 PSIG (lbs/hr)	45

OPERATING CAPACITY				
Racks per Hour	Normal 58	Medium 30	Heavy 20	Extra Heavy 12
OPERATING CYCLE (seconds)	Wash	Rinse	Dwell	Total Cycle
Normal	40	13	4	57
Medium	100	13	4	117
Heavy	160	13	4	177
Extra Heavy	280	13	4	297

WATER REQUIREMENTS	
Inlet Temperature	
40°F (22.2°C) Rise	140°F (60°C)
70°F (38.9°C) Rise	110°F (43°C)
No Booster	180°F (82°C)
Gallons per Hour	52 gal (197 L)
Gallons per Rack	.89 gal (3 L)
Waterline Size IPS (minimum)	1/2"
Drainline Size IPS (minimum)	1- 1/2"
Flow Pressure (PSI)	10
Wash Tank Capacity	8 gal (30 L)
Booster Tank Capacity	3 gal (11 L)

OPERATING TEMPERATURES	
Wash (minimum)	150° F (66° C)
Rinse (minimum)	180° F (82° C)

APPROXIMATE LOAD AMPS				
	No Booster	40°F (22.2°C) Rise	70°F (38.9°C) Rise	Steam
Power Supply	AMPS	AMPS	AMPS	AMPS
208V/60HZ/1PH	24.6	68.7	75.8	6A
208V/60HZ/3PH	16.3	42.1	46.3	6A
230V/60HZ/1PH	26.6	75.4	83.6	6A
230V/60HZ/3PH	17.5	45.5	50.7	6A
460V/60HZ/3PH	7.9	21.7	24.1	N/A

WASH PUMP MOTOR		
Wash Pump Motor Horsepower		1 HP
	Volts	KW
Electric Wash Tank Heater	208V	4.1
	230V	5.0
	460V	5.0
Electric Rinse Tank Heater - 40°F (22.2°C) Rise	208V	9.0
	230V	11.0
	460V	11.0
Electric Rinse Tank Heater - 70°F (38.9°C) Rise	208V	10.5
	230V	12.9
	460V	12.9

HOW TO SPECIFY: TempStar®

**Jackson WWS, Inc.**  
 Shipping Address: 6209 North U.S. Highway 25E, Gray, KY 40734  
 Mailing Address: P.O.Box 1060, Barbourville, KY 40906  
 Telephone: 888-800-5672 • Fax: 606-523-1799  
 Email: info@jacksonwws.com  
 07610-002-66-59 [03/02/17]

[www.jacksonwws.com](http://www.jacksonwws.com)