

# SteamCraft® Ultra 5

COUNTER TYPE DESIGN, PRESSURELESS CONVECTION STEAMER, ELECTRIC STEAM GENERATOR, 16 KW

Project \_\_\_\_\_  
 Item \_\_\_\_\_  
 Quantity \_\_\_\_\_  
 FCSI Section 11400 \_\_\_\_\_  
 Approved \_\_\_\_\_  
 Date \_\_\_\_\_

Steamcraft® Generator Style High Speed Convection Steamers

## Models

- 21-CET-16



Shown with optional Electronic Timer

## Standard Features

- Cooking Capacity for up to five 12" x 20" x 2 1/2" deep Cafeteria Pans.
- Innovative PowerPak Electric Steam Generator: Two Special Stainless Steel Fire Bar Heating Element. Strong 14 Gauge Stainless Steel Construction. Large 5 gallon generator reservoir for faster steam cooking production. Fully insulated rear mounted steam generator.
- Easy Access Cleaning Port: Generator Cleaning Port located on the outside, top of the unit. Not necessary to remove hot panels or pan rack guides.
- Instant Steam Stand By Mode: Hold generator at a steaming temperature. Allows unit to start cooking instantly.
- Durable 14 Gauge, Stainless Steel Construction: For compartment door, cavity and steam generator.
- One 60 Minute Electro-Mechanical Timer and Switch for manual operation: Audible signal for cooking time completion.
- Main Power On/Off Switch: With Automatic Water Fill.
- Exclusive Steam Cooking Distribution System: Maintenance Free Exclusive Brass Steam Jets produce a high velocity convection steam without fans. Coved Corner design in cooking compartment distributes heat evenly, and is easy to keep clean. Creased top & bottom enhance drainage. Cold water condenser behind drain maintains a dry steam. Fully Insulated cooking compartment for thermal efficiency. Removable Stainless Steel Slide Racks for easy cleaning.
- Automatic Generator Drain: Contains a "Water Jet" Spray Rinse Drain Cleaning Cycle to keep drain clear.
- Exclusive Automatic Remote Probe Type Water Level Control: Separate from the generator for easy access.
- Exclusive "Cool to the Touch" Two-Piece Compartment Door Design: Free floating inner door with reversible gasket provides an air tight seal. Stainless Steel Slam/Latch Door Latch mechanism for reliability.
- Left Hand Door Hinging: Compartment Doors hinged on the left, controls on the right.
- Available in most voltages, three phase only.
- 4" Adjustable Legs

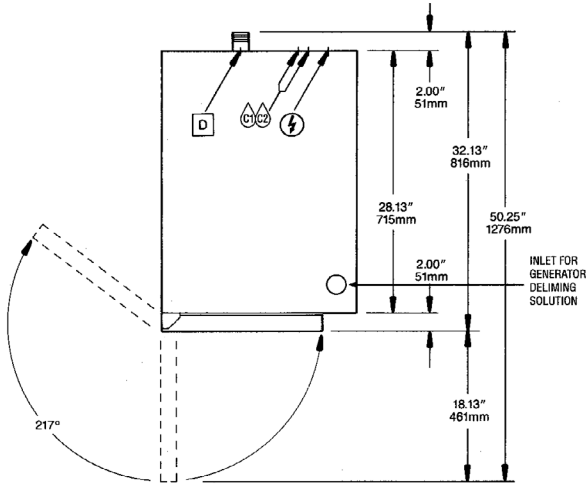
## Short Form Specifications

Shall be CLEVELAND, SteamCraft® Ultra 5, one compartment, Counter-Type Steamer, Model 21-CET-16, \_\_\_volts, 16.5 KW, \_\_\_Hz, 3 phase, heavy duty all Stainless Steel construction; rear mounted, insulated Steam Generator with Remote Probe Type Water Level Controls and Automatic Steam Generator Blowdown with "Water Jet" Drain Cleaning feature.

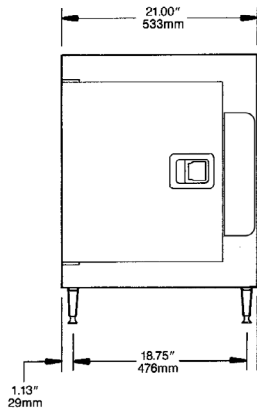
## Options & Accessories

- Right hand Door Hinging, Controls on the Left (DHR)
- Electronic Timer with Compensating Load Feature (ETC)
- 34" (864mm) High Stainless Steel Economy Stand, for one 21-CET-16 (UniStand34)
- POSK Pull-Out Shelf Kit for UniStand (P/N 111724)
- URK Pan Rack Kit UniStand (P/N 111726)
- Equipment Stacking Stand Shelf Type (ES2446)
- Dissolve® Descale Solution, 6 one gallon container w/quart markings (106174)
- Cafeteria Pans in depths of 1", 2 1/2" and 4"
- Water Filters

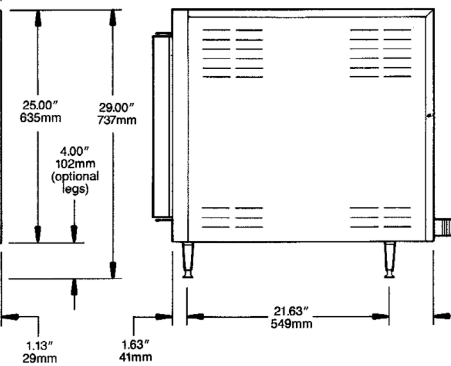
KE004046-10



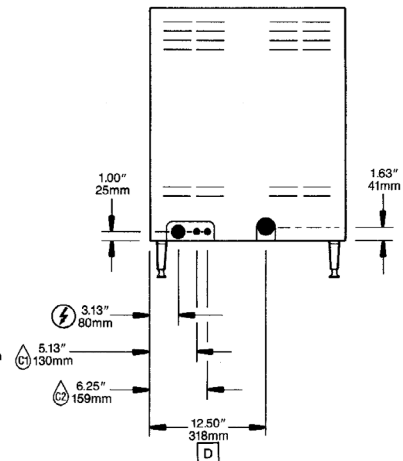
TOP VIEW



FRONT VIEW



RIGHT SIDE VIEW



REAR VIEW

**COMPARTMENT HAS CAPACITY FOR:**

- Five, 12" x 20" x 2 1/2" deep Cafeteria Pans

**WATER QUALITY REQUIREMENTS (Boilers, Generators)**

TDS:	50-250 ppm
Hardness:	50 - 200 mg (3 - 12 gpg)
pH value:	7.0 - 8.5
CL (Chloride):	max 50 ppm
Cl2 (free chlorine):	max 0.1 ppm
SiO2 (silica):	max 13 ppm
NH2Cl: (mono-chloramine)	max 0.1 ppm
Total Alkalinity:	50 - 100 ppm
Water Pressure	35 - 80 PSI
Temperature:	max 104°F

**SHIPPING WEIGHTS & DIMENSIONS**

Weight	Width	Depth	Height
248 lbs	30"	35"	36"

ELECTRIC ⚡					WATER 💧		DRAINAGE □		CLEARANCE	
Volts	Watts	Ph	Amps	Wire	Cold water: 35 psi min., 60 psi max.		1 1/4" N.P.T. tube		Right - 3", Left - 3", Rear - 3" (12" on control side if adjoining wall or equipment is over 30" high for service access)	
208	16,300	3	45.9	3	Two 3/4" NH-F (Garden Thread) Connections. Use NSF approved hose.		Do not connect other units to this drain.		Contact factory for variances to clearances.	
220	13,694	3	36.5	3	C1 one for Condenser		Drain line must be vented.			
240	16,300	3	39.8	3	C2 one for Steam Generator		No PVC pipe for drain.			
440	13,694	3	18.2	3						
480	16,300	3	19.9	3						
360	14,621	3	23.8	4						
380	16,300	3	25.1	4						
415	16,300	3	23.0	4						

**NOTES:**

Cleveland Range reserves right of design improvement or modification, as warranted.  
 Many regional, state and local codes exist and it is the responsibility of the owner and installer to comply with the codes.  
 Cleveland Range equipment is built to comply with applicable standards for manufacturers. Included among those approval agencies are U.L./NSF#4.

(NOT TO SCALE)