



BEVERAGE-AIR

3779 Champion Blvd., Winston-Salem, NC 27105
1-888-845-9800 Fax# 1-336-245-6453
<http://www.Beverage-Air.com>

CUSTOMER'S CHOICE FOR A HOT LOCATION
Tested & Certified to Ambient Class of 100°F

3 Year Parts/Labor Warranty Additional 2 Year Compressor Warranty

**BB36F OPEN FOOD RATED SERIES
BACK BAR REFRIGERATOR—SOLID & GLASS DOOR SERIES**
*Food Rated models are certified for bottled beverages, packaged food,
and open food.*

Depth is 23 1/2" from face of door to back of cabinet. Handle projects 1/2."

Two heights include 34" with standard galvanized steel top for under shelf application and 36" when adapted with a 2" stainless steel top (-27 MODELS).

Solid & glass door models come standard with locks.

CABINET CONSTRUCTION

Standard, cabinet exterior construction includes black steel finish. Door is self-closing and includes magnetic gaskets for positive seal.

All stainless steel interior with radius corners is easy to keep clean and meets NSF Standard 7 for open food containers. Reinforced floor and door sills are made from heavy-duty stainless steel to provide long lasting service.

Solid door model features interior, incandescent, lighting with manual on/off switch.

Glass door model features fluorescent lighting. Optional LED lighting available.

Foamed-in-place CFC and HCFC-free polyurethane insulation enhances the structural strength of the cabinet and helps increase energy efficiency.

REFRIGERATION

Refrigeration system uses R134a refrigerant, which is CFC and HCFC-free for compliance with environmental safety concerns.

ELECTRICAL

Units wired at factory and ready for connection to a 115/60/1 phase, 15 amp dedicated outlet. 8' long cord and plug set included.

AVAILABLE OPTIONS

- WINE models available (40°-60°F models)



*Note: Not all markings may apply to all model variations.

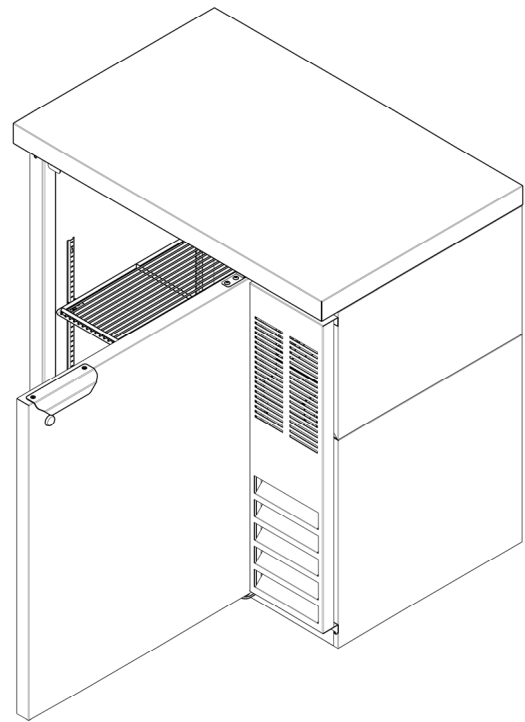
Item No. _____
Quantity _____

MODELS:
SOLID DOOR
BB36F-1-B
BB36F-1-B-27
BB36F-1-S
BB36F-1-S-27

**BEER EQUIPMENT
BACK BAR
REFRIGERATOR
BB36F OPEN FOOD
RATED SERIES**

GLASS DOOR
BB36GF-1-B
BB36GF-1-B-27
BB36GF-1-S
BB36GF-1-S-27

PICTURE COMING SOON
(RENDERING SHOWS BB36F WITH 2" S/S TOP)



Finishes available: Black or S/S
Door options: Solid or Glass Doors

ELECTRICAL CONNECTION

Units pre-wired at factory and include 8' long cord and plug set.



Available From:

Model Specified _____	Store# _____
Location _____	Quantity _____



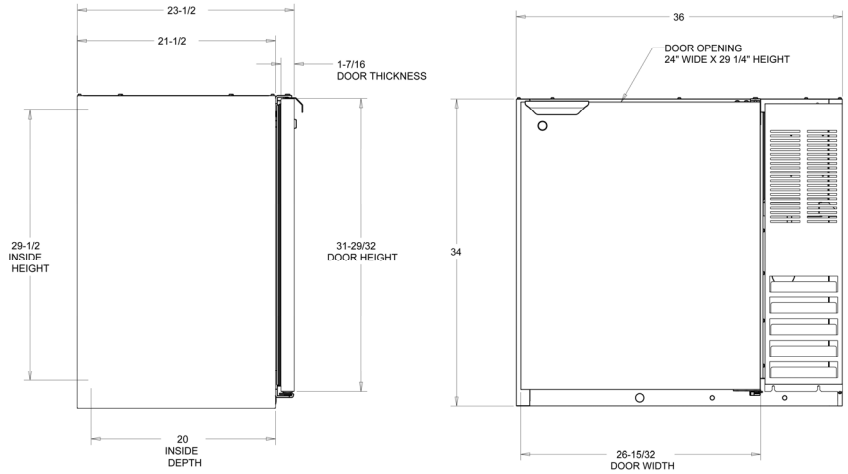
BEVERAGE-AIR

Back Bar Refrigerators

Model: BB36F

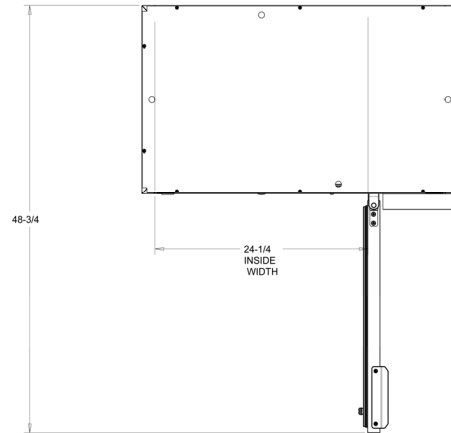
MODEL	BB36F-1-B BB36F-1-S BB36GF-1-B BB36GF-1-S	BB36F-1-B-27 BB36F-1-S-27 BB36GF-1-B-27 BB36GF-1-S-27 (2" S/S TOP)
EXTERNAL DIMENSIONAL DATA		
Length Overall (inches)	36"	36"
Length Overall (mm)	914	914
Depth Overall (inches)	23 1/2"	23 1/2"
Depth Overall (mm)	597	597
Height Overall—(inches)	34"	36"
Height Overall—(mm)	864	914
Door Opening (inches)	24" W x 29 1/4" H	24" W x 29 1/4" H
Depth With Door Open 90°	48 3/4"	48 3/4"
Number of Doors	1	1
INTERNAL DIMENSIONAL DATA		
NET Capacity (cubic ft.)	8.8	8.8
NET Capacity (Liters)		
Internal Length Overall (inches)	24 1/4"	24 1/4"
Internal Length Overall (mm)	616	616
Internal Depth Overall (inches)	20"	20"
Internal Depth Overall (mm)	508	508
Internal Height Overall (inches)	29 1/2"	29 1/2"
Internal Height Overall (mm)	749	749
Number of Shelves	2	2
Number of Kegs (1/2 barrel kegs)	2	2
ELECTRICAL DATA		
Full Load Amperes 115/60/1	5.0	5.0
REFRIGERATION DATA		
Horsepower	1/5	1/5
WEIGHT DATA		
Gross Weight (Crated lbs)	250	250
Gross Weight (Crated kg)	113	113

PLAN VIEWS



BB36F END

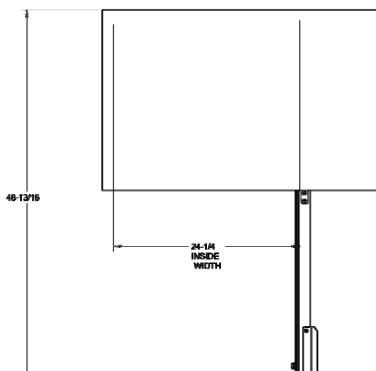
BB36F FRONT



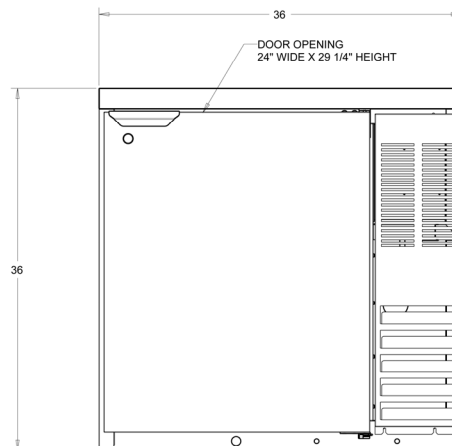
BB36F TOP



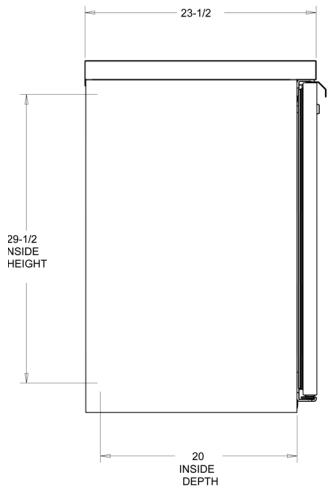
*Note: Not all markings may apply to all model variations.



BB36F (-27) TOP



BB36F (-27) FRONT



BB36F (-27) END

BEVERAGE-AIR® CORPORATION

3779 Champion Blvd. • Winston-Salem, NC 27105 USA • (336) 245-6400 • Fax (336) 245-6453 • (888) 845-9800 • www.beverage-air.com

Specifications are subject to change without prior notice. 06/13