



BEVERAGE-AIR

3779 Champion Blvd., Winston-Salem, NC 27105
1-888-845-9800 Fax# 1-336-245-6453
<http://www.Beverage-Air.com>

CUSTOMER'S CHOICE FOR A HOT LOCATION
Tested & Certified to Ambient Class of 100°F

3 Year Parts/Labor Warranty
Additional 2 Year Compressor Warranty

BB GLASS DOOR — PASS-THRU BACK BAR REFRIGERATORS WITH GLASS DOORS

Pass-Thru, self-contained refrigerators come in three widths of 48," 78," and 94."

BB48GSY shallow depth units are available in two heights: 34" height with standard galvanized steel top for under shelf application and 36" height when adapted with a 2" stainless steel top (*specify -27*). Depth is 25" from face of door to opposite side of cabinet. Handle projects 1/2."

BB78G and BB94G units come standard with 2" stainless steel top. Depth is 29" from face of door to opposite side of cabinet. Handle projects 1/2."

CABINET CONSTRUCTION

Standard, cabinet exterior construction is a black steel finish. Stainless steel models available.

Galvanized sub top standard on BB48GSY-1-B. 2" stainless steel top optional (*specify -27*). Sliding glass doors are self-closing and includes a stay-open feature and lock.

BB78G and BB94G units come standard with 2" stainless steel top. Hinged glass doors are self-closing and includes a stay-open feature and lock.

Standard interior construction utilizes galvanized steel walls and ceiling. Reinforced floor made from heavy-duty stainless steel to provide long lasting service. Interior, fluorescent lighting is standard. LED lighting option available.

Environmentally friendly foamed-in-place CFC and HCFC-free polyurethane insulation enhances the structural strength of the cabinet and helps increase energy efficiency.

REFRIGERATION

Refrigeration is fully accessible behind grille to right side of cabinet. Evaporator located above condensing unit permits full use of interior spaces. Forced air is projected the length of cabinet across the ceiling. Refrigeration system uses R134a refrigerant, which is CFC and HCFC-free for compliance with environmental safety concerns. Remote refrigeration models include expansion valve installed.

Condensate elimination is automatic and non-electric.

ELECTRICAL

Units are wired at factory and ready for connection to a 115/60/1 phase, 15 amp dedicated outlet. 8' long cord and plug set included.

Item No. _____
Quantity _____

**BEER EQUIPMENT
GLASS DOOR
BACK BAR REFRIGERATOR
BB PASS-THRU SERIES**

**MODELS:
BB48GSY-1-B/S-PT
BB78G-1-B/S-PT
BB94G-1-B/S-PT**



BB48GSY-1-B-PT



BB48GSY-1-S-27-PT
(shown in s/s exterior with 2" s/s top)

SPECIAL FEATURES

- Pass-Thru coolers features dual-sided accessibility
- Sliding glass doors (BB48GSY) / Hinged glass doors (BB78G and BB94G)
- Door locks
- Door hold-open feature
- 2-pane lowE door glass

ELECTRICAL CONNECTION

Units are pre-wired at factory and include 8' long cord and plug set.



115/60/1
NEMA-5-15P



*Note: Not all markings may apply to all model variations.

Available From:

Model Specified _____	Store# _____
Location _____	Quantity _____

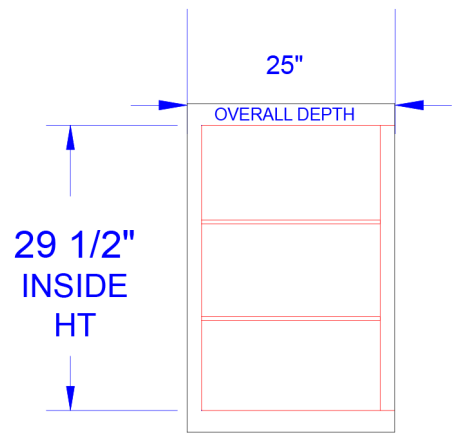


BEVERAGE-AIR

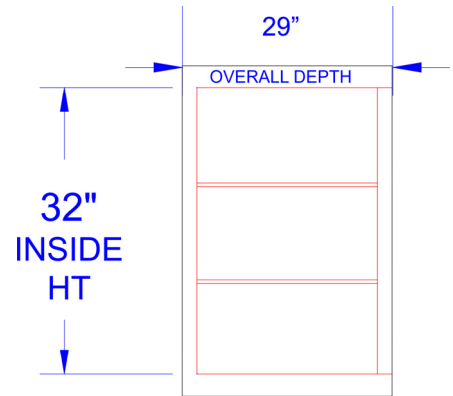
Back Bar Glass Door Refrigerator—Pass-Thru Glass Doors
Models: BB48GSY-1-B-PT, BB78G-1-B-PT, BB94G-1-B-PT

MODEL	BB48GSY-1-B-PT	BB78G-1-B-PT	BB94G-1-B-PT
EXTERNAL DIMENSIONAL DATA			
Length Overall (inches)	48"	79"	95"
Length Overall (mm)	1219	2007	2413
Depth Overall (inches)	25"	29"	29"
Depth Overall (mm)	635	734	734
Height Overall—(inches)	34"	37 1/4"	37 1/4"
Height Overall—(mm)	864	946	946
Number of doors per side	2	3	3
INTERNAL DIMENSIONAL DATA			
NET Capacity (cubic ft.)	12.1	33	39.7
NET Capacity (Liters)	343	935	1124
Internal Length Overall (inches)	36"	75"	91"
Internal Length Overall (mm)	914	1905	2311
Internal Depth Overall (inches)	18 1/2"	23"	23"
Internal Depth Overall (mm)	470	584	584
Internal Height Overall (inches)	29 1/2"	32"	32"
Internal Height Overall (mm)	749	813	813
Number of Shelves	4	6	6
Number of Kegs (1/2 barrel)	2	4	5
ELECTRICAL DATA			
Full Load Amperes 115/60/1	5	7.2	7.2
REFRIGERATION DATA			
Horsepower	1/4	1/3	1/3
WEIGHT DATA			
Gross Weight (Crated lbs)	306	386	498
Gross Weight (Crated kg)	139	175	226

PLAN VIEWS



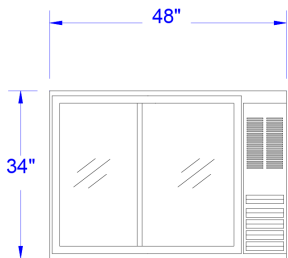
**END
BB48GSY**



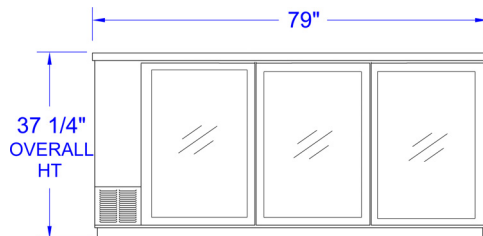
**END
BB78G / BB94G**



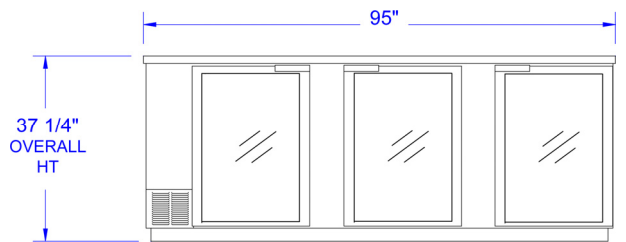
*Note: Not all markings may apply to all model variations.



**FRONT
BB48GSY-1-B-PT**



BB78G-1-B-PT



BB94G-1-B-PT

BEVERAGE-AIR® CORPORATION

3779 Champion Blvd. • Winston-Salem, NC 27105 USA • (336) 245-6400 • Fax (336) 245-6453 • (888) 845-9800 • www.beverage-air.com

Specifications are subject to change without prior notice. 4/13