



# BEVERAGE-AIR

3779 Champion Blvd., Winston-Salem, NC 27105  
1-888-845-9800 Fax# 1-336-245-6453  
http://www.Beverage-Air.com

**CUSTOMER'S CHOICE FOR A HOT LOCATION**  
*Tested & Certified to Ambient Class of 100°F*

## 3 Year Parts/Labor Warranty Additional 2 Year Compressor Warranty

### BB 23" BASE SERIES—BACK BAR REFRIGERATOR OPEN FOOD RATED

*Food Rated models are certified for bottled beverages, packaged food, and open food.*

Shallow depth, back bar, self-contained refrigerators come in two widths of 48" and 72." Two heights include 34" with standard galvanized steel top for under shelf application and 36" when adapted with a 2" stainless steel top (*specify -27*). Depth is 23" from face of door to back of cabinet. Handle projects 1/2." Solid door models come standard with locks.

#### CABINET CONSTRUCTION

Standard, cabinet exterior construction includes black steel finish. Stainless steel exterior option available (*-S models*).

Galvanized sub top standard. 2" stainless steel top optional (*specify -27*).

Hinged solid doors are self-closing and include a 90° stay-open feature and locks. Doors include magnetic gaskets for positive seal.

All stainless steel interior with radius corners is easy to keep clean and meets NSF Standard 7 for open food containers. Reinforced floor made from heavy-duty stainless steel to provide long lasting service.

Two (2) epoxy-coated shelves per section standard.

Interior, incandescent, lighting is standard with manual on/off switch.

Foamed-in-place CFC and HCFC-free polyurethane insulation enhances the structural strength of the cabinet and helps increase energy efficiency.

#### REFRIGERATION

Refrigeration is fully accessible behind grille to right side of cabinet. Evaporator located above condensing unit permits full use of interior spaces. Forced air is projected the length of cabinet across the ceiling. Refrigeration system uses R134a refrigerant, which is CFC and HCFC-free for compliance with environmental safety concerns. Remote refrigeration models include expansion valve installed.

Condensate elimination is automatic and non-electric.

#### ELECTRICAL

Units wired at factory and ready for connection to a 115/60/1 phase, 15 amp dedicated outlet. 8' long cord and plug set included.



\*Note: Not all markings may apply to all model variations.

Item No. \_\_\_\_\_  
Quantity \_\_\_\_\_

**BEER EQUIPMENT  
SOLID DOOR BACK BAR  
REFRIGERATORS**  
23" BASE  
BB SERIES  
OPEN FOOD RATED

**MODELS:  
BB48YF/48RF  
BB72YF/72RF**



**BB48YF**



**BB72YF-1-B-27**  
*(SHOWN WITH OPTIONAL 2" S/S TOP)*

#### AVAILABLE OPTIONS

- Wire shelf dividers
- 3" or 6" casters; 6" legs
- WINE models available (40°- 60°F models)

Available From:

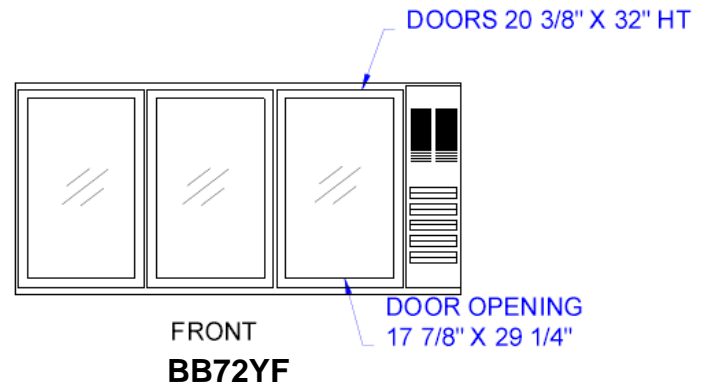
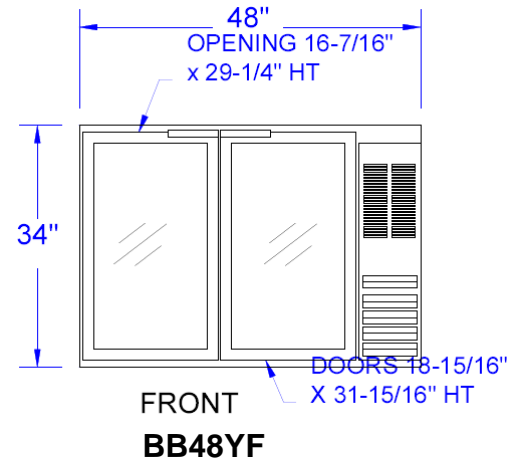
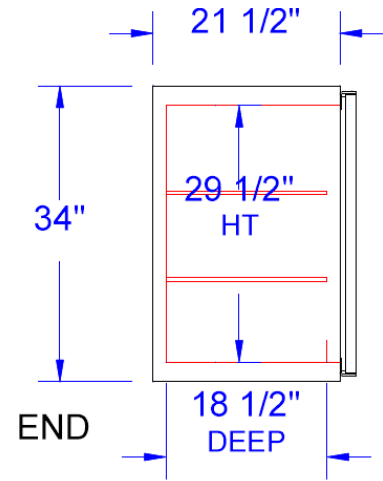
<b>Model Specified</b> _____	<b>Store#</b> _____
<b>Location</b> _____	<b>Quantity</b> _____



**Back Bar Refrigerators, 23" Base Open Food Rated**  
**Models: BB48YF, BB48RF, BB72YF, BB72RF**

MODEL	BB48YF	BB48RF	BB72YF	BB72RF
<b>EXTERNAL DIMENSIONAL DATA</b>				
Length Overall (inches)	48"	48"	72"	72"
Length Overall (mm)	1219	1219	1829	1829
Depth Overall (inches)	23 1/2"	23 1/2"	23 1/2"	23 1/2"
Depth Overall (mm)	597	597	597	597
Height Overall— (inches)	34"	34"	34"	34"
Height Overall—(mm)	864	864	864	864
Clear Door Width (inches)	16 7/16" x 29 1/4"	16 7/16" x 29 1/4"	17 7/8" x 29 1/4"	17 7/8" x 29 1/4"
Depth With Door Open 90°	41 3/8"	41 3/8"	42 3/4"	42 3/4"
Number of doors	2	2	3	3
<b>INTERNAL DIMENSIONAL DATA</b>				
NET Capacity (cubic ft.)	12.1	12.1	19.4	19.4
NET Capacity (Liters)	343	343	549	549
Internal Length Overall (inches)	36"	36"	60"	60"
Internal Length Overall (mm)	914	914	1524	1524
Internal Depth Overall (inches)	18 1/2"	18 1/2"	18 1/2"	18 1/2"
Internal Depth Overall (mm)	470	470	470	470
Internal Height Overall (inches)	29 1/2"	29 1/2"	29 1/2"	29 1/2"
Internal Height Overall (mm)	749	749	749	749
Number of Shelves	4	4	6	6
Number of Kegs (straight wall)	2	2	3	3
<b>ELECTRICAL DATA</b>				
Full Load Amperes 115/60/1	5.0	remote	5.0	remote
<b>REFRIGERATION DATA</b>				
Horsepower	1/4	remote	1/4	remote
<b>WEIGHT DATA</b>				
Gross Weight (Crated lbs)	269	223	366	330
Gross Weight (Crated kg)	122	101	166	150

**PLAN VIEWS**



\*Note: Not all markings may apply to all model variations.  
 \*N/A: Not available at time of printing.

**ELECTRICAL CONNECTION**

Units pre-wired at factory and include 8' long cord and plug set.



115/60/1  
NEMA-5-15P

**BEVERAGE-AIR® CORPORATION**