



BEVERAGE-AIR

3779 Champion Blvd., Winston-Salem, NC 27105
1-888-845-9800 Fax# 1-336-245-6453
<http://www.Beverage-Air.com>

CUSTOMER'S CHOICE FOR A HOT LOCATION
Tested & Certified to Ambient Class of 100°F

3 Year Parts/Labor Warranty
Additional 2 Year Compressor Warranty

BB GLASS DOOR — BACK BAR REFRIGERATORS

Pass-Thru, Back Bar storage cabinets in 79" and 95" widths. Overall height is 37 1/4." Depth is 29" from face of door to back of cabinet. Handles project 1 3/4" on both sides of unit.

CABINET CONSTRUCTION

Standard, cabinet exterior construction includes attractive, wear resistant vinyl on steel in black finish. BB78G-1-S-PT and BB94G-1-S-PT feature stainless steel front only. Additional stainless exterior options available. Equipped with 2" stainless steel top. Glass doors are self-closing and include key locks. Magnetic door gaskets provide positive door sealing. Glass doors are field reversible with hinge kit accessory.

Standard interior construction utilizes galvanized steel walls and ceiling. Reinforced floor and doorsills are made from heavy-duty stainless steel to provide long lasting service. Interior, fluorescent lighting is standard. Optional LED lighting available.

Environmentally friendly foamed-in-place CFC and HCFC-free polyurethane insulation enhances the structural strength of the cabinet and helps increase energy efficiency.

REFRIGERATION

Refrigeration system uses R134a refrigerant, which is CFC and HCFC-free for compliance with environmental safety concerns. Remote refrigeration models include expansion valve installed.

Condensate elimination is automatic and non-electric (except remote).

ELECTRICAL

Units wired at factory and ready for connection to a 115/60/1 phase, 15 amp dedicated outlet. 8' long cord and plug set included.

SPECIAL FEATURES

- Keg storage is maximized in lieu of shelf storage when required.
- Pass-Thru models provide dual-access to cabinet interior.
- LED lighting option

Item No. _____
Quantity _____

BEER EQUIPMENT
GLASS DOOR BACK BAR
REFRIGERATORS
PASS-THRU

MODELS:
BB78G-1-B-PT
BB78G-1-S-PT
BB94G-1-B-PT
BB94G-1-S-PT



BB78G-1-B-PT



BB94G-1-B-PT

Available From:



*Note: Not all markings may apply to all model variations.

Model Specified _____

Store# _____

Location _____

Quantity _____



BEVERAGE-AIR

ELECTRICAL CONNECTION

Units pre-wired at factory and include 8' long cord and plug set.



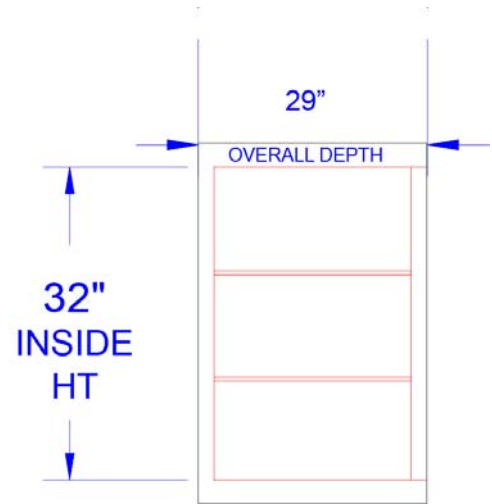
115/60/1
NEMA-5-15P

Back Bar Glass Door Refrigerators—Pass-Thru

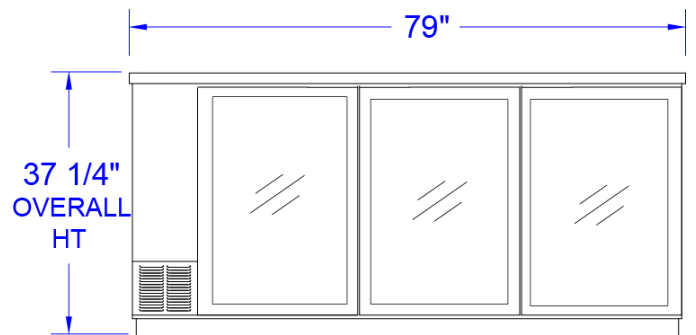
Models: BB78G-1-B-PT, BB78G-1-S-PT, BB94G-1-B-PT, BB94G-1-S-PT

MODEL	BB78G-1-B-PT BB78G-1-S-PT	BB94G-1-B-PT BB94G-1-S-PT
EXTERNAL DIMENSIONAL DATA		
Length Overall (inches)	79"	95"
Length Overall (mm)	2007	2413
Depth Overall (inches) - add 1 3/4" for door handles on each side	29"	29"
Depth Overall (mm) - add 45 mm for door handles on each side	737	737
Height Overall— (inches)	37 1/4"	37 1/4"
Height Overall—(mm)	946	946
Clear Door Width (inches)	21" x 29 15/16"	21" x 29 15/16"
Depth With Door Open 90°	49 5/8"	50 3/4"
Number of doors	6	6
INTERNAL DIMENSIONAL DATA		
NET Capacity (cubic ft.)	33.3	39.2
NET Capacity (Liters)	943	1110
Internal Length Overall (inches)	75"	91"
Internal Length Overall (mm)	1905	2311
Internal Depth Overall (inches)	23"	23"
Internal Depth Overall (mm)	584	584
Internal Height Overall (inches)	32"	32"
Internal Height Overall (mm)	813	813
Number of Shelves	6	6
Number of Kegs (straight wall)	4	5
ELECTRICAL DATA		
Full Load Amperes 115/60/1	7.2	7.2
REFRIGERATION DATA		
Horsepower	1/3	1/3
WEIGHT DATA		
Gross Weight (Crated lbs)	475	341
Gross Weight (Crated kg)	216	155

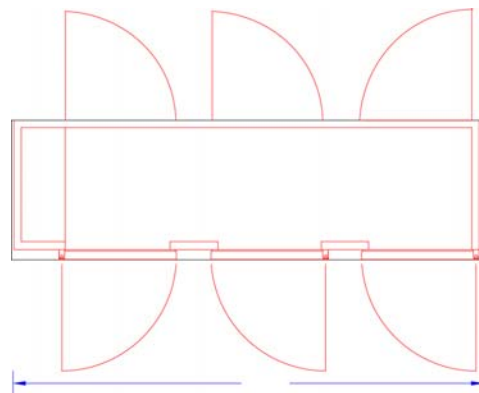
PLAN VIEWS



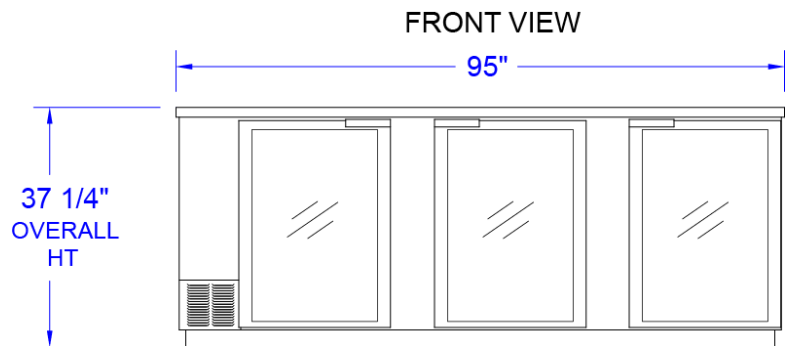
END



BB78G



TOP VIEW



BB94G



*Note: Not all markings may apply to all model variations.

BEVERAGE-AIR® CORPORATION

3779 Champion Blvd. • Winston-Salem, NC 27105 USA • (336) 245-6400 • Fax (336) 245-6453 • (888) 845-9800 • www.beverage-air.com

Specifications are subject to change without prior notice. 06/13