



BEVERAGE-AIR

Project: _____

AIA#

Item: _____

Location: _____

SIS#

Approved: _____

CT MERCHANDISER SERIES

CT96HC Countertop Refrigerator

Hydrocarbon Series

MODELS:

CT96HC-1-B

CT96HC Countertop Refrigerator: Merchandiser Series



CT96HC-1-B

**1 Year Parts/Labor Warranty
Additional 4 Year Compressor Part Only**

CABINET CONSTRUCTION

- Exterior is heavy duty black textured steel
- Black plastic door frames with locks standard
- Interior is heavy duty white epoxy coated steel
- Full electronic control with display
- LED light standard
- Double pane tempered glass
- Door locks
- 3 Epoxy coated shelves standard
- 2 Top shelves are adjustable
- Maintains product temperature between 36°F and 38°F
- 6' 6" Cord and plug set included

OPTIONS & ACCESSORIES

- Custom Graphics
- Wire Shelves

REFRIGERATION SYSTEM

- Refrigeration system uses R600a refrigerant to comply with all environmental concerns
- Automatic, non-electric defrost
- Epoxy coated evaporator coil



3779 Champion Blvd., Winston-Salem, NC 27105
1-888-845-9800 Fax: 1-336-245-6453
Beverage-Air.com sales@bevair.com



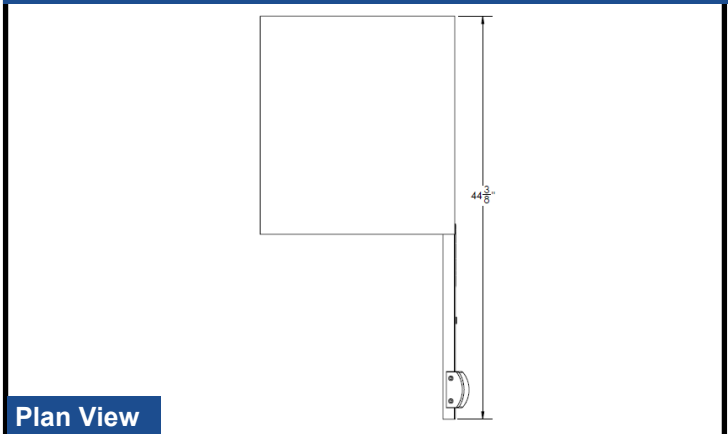
BEVERAGE-AIR

MODEL	CT96HC-1-B
EXTERNAL DIMENSIONAL DATA	
Width Overall	21 3/8"
Depth Overall with Handle	25 1/2"
Height Overall	37 1/2"
Number of Doors	1
Depth with Door Open 90 °	44 3/8"
Door Opening	18" x 31 1/4"
INTERNAL DIMENSIONAL DATA	
NET Capacity (cubic ft.)	5.9
Internal Width Overall (in)	18 1/4"
Internal Depth Useable (in)	Upper 19 1/8" Lower 12 1/4"
Internal Height Overall (in)	31 5/8"
Internal Height Useable (in)	24 1/8"
Number of Shelves	3
ELECTRICAL DATA	
Full Load Amperes 115/60/1	1.3
REFRIGERATION DATA	
Horsepower	1/5
WEIGHT DATA	
Gross Weight (kgs)	120 lbs
Height - Crated	45"
Width - Crated	23.5"
Depth - Crated	27"

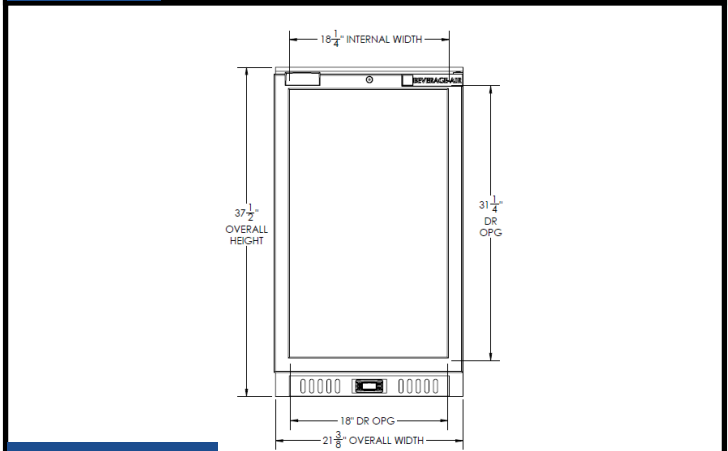
Countertop Refrigerator

Models: CT96HC-1-B

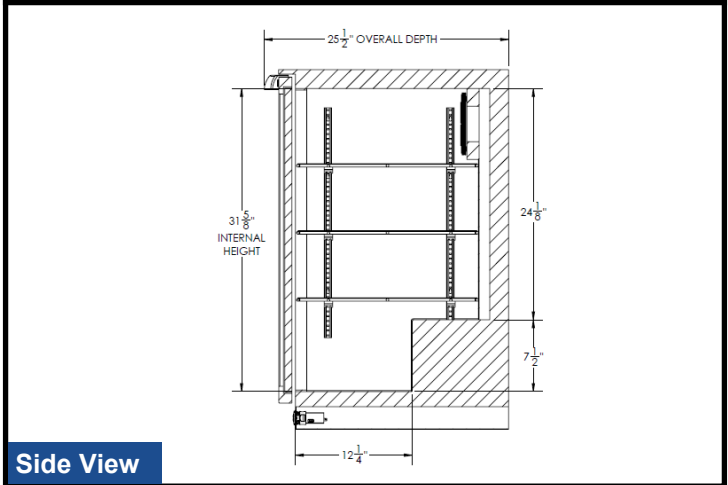
Model Views



Plan View



Elevation View



Side View

ELECTRICAL CONNECTION



115/60/1
NEMA-5-15P

Units pre-wired at factory and include 6' 6" long cord and plug set.



an Ali Group Company



The Spirit of Excellence

3779 Champion Blvd., Winston-Salem, NC 27105
1-888-845-9800 Fax: 1-336-245-6453
Beverage-Air.com sales@bevair.com