



BEVERAGE-AIR

3779 Champion Blvd., Winston-Salem, NC 27105
1-888-845-9800 Fax# 1-336-245-6453
<http://www.Beverage-Air.com>

Item No. _____
Quantity _____

**DRAFT BEER EQUIPMENT
DIRECT DRAW DISPENSERS
DD SLM SERIES**

**MODELS:
DD36SLM-1-B
DD36SLM-1-S**

**CUSTOMER'S CHOICE FOR A HOT LOCATION
Tested & Certified to Ambient Class of 100°F**

**3 Year Parts/Labor Warranty
Additional 2 Year Compressor Warranty**

CABINET CONSTRUCTION

Standard, black steel exterior construction. Stainless steel exterior finish available. Top is made from heavy-duty stainless steel including drip tray for easy cleaning.

Standard interior construction utilizes galvanized steel walls and ceiling. Reinforced floor and door sills are made from heavy-duty stainless steel to provide long lasting service.

Door is self-closing and includes key lock. Magnetic gasket provides positive door sealing.

Foamed-in-place CFC and HCFC-free polyurethane insulation enhances the structural strength of the cabinet and helps increase energy efficiency.

Three-inch (3") insulated tower is provided. Tower is adapted to have a continuous source of cold air channeled into it to keep beer at its coldest, best quality the moment it is dispensed.

REFRIGERATION

Models feature forced air refrigeration to keep beer in kegs ice cold for dispensing. Refrigeration system uses R134a refrigerant, which is CFC and HCFC-free for compliance with environmental safety concerns.

ELECTRICAL

Units wired at factory and ready for connection to a 115/60/1 phase, 15 amp dedicated outlet. 8' long cord and plug set included.

SPECIAL FEATURES

- Stainless finish options available



DD36SLM-1-S

ELECTRICAL CONNECTION

Units pre-wired at factory and include 8' long cord and plug set.



115/60/1
NEMA-5-15P

Available From:



*Note: Not all markings may apply to all model variations.

Model Specified _____	Store# _____
Location _____	Quantity _____



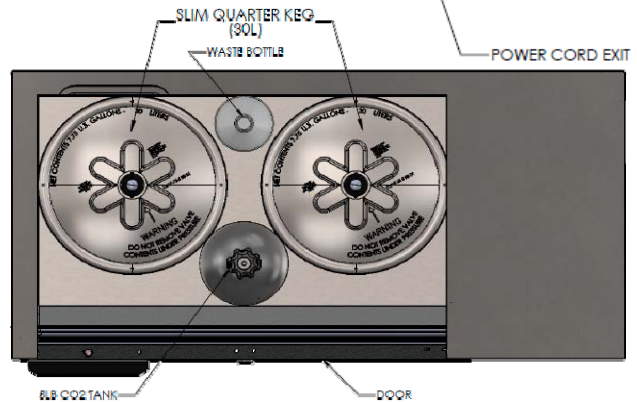
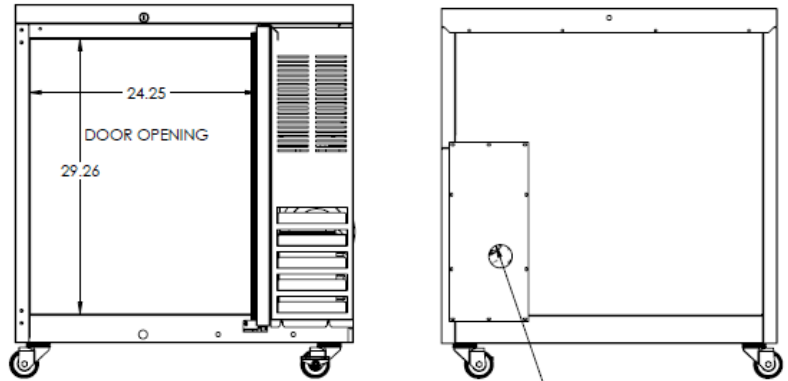
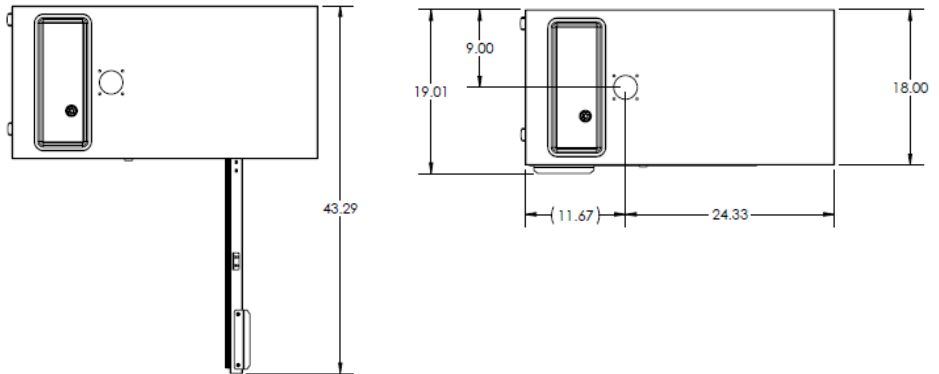
BEVERAGE-AIR

Direct Draw Dispenser

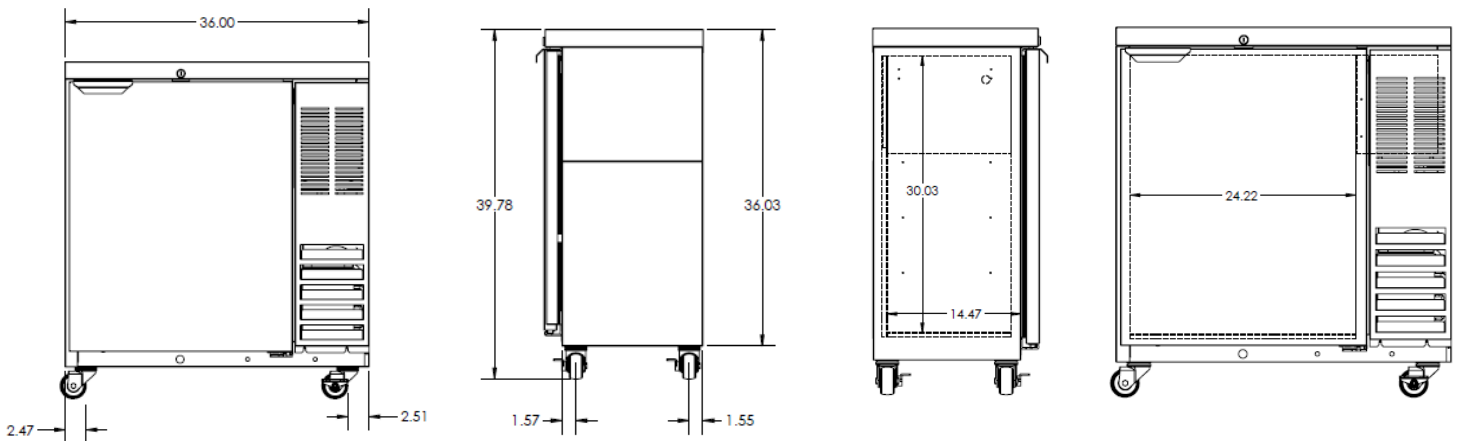
Models: DD36SLM-1-B, DD36SLM-1-S

MODEL	DD36
EXTERNAL DIMENSIONAL	
Length Overall (inches)	36"
Length Overall (mm)	914
Depth Overall w/ handle (inches)	18"
Depth Overall (mm)	482
Height Overall— (inches)	36"
Height Overall—(mm)	914
Depth with door open (inches)	43.29
Number of doors	1
INTERNAL DIMENSIONAL	
NET Capacity (cubic ft.)	6.3
NET Capacity (Liters)	178
Internal Length Overall (inches)	24 1/4"
Internal Length Overall (mm)	616
Internal Depth Overall (inches)	14"
Internal Depth Overall (mm)	355
Internal Height Overall (inches)	29.26"
Internal Height Overall (mm)	743
Number of Kegs (Slim 1/4 Kegs)	2
ELECTRICAL DATA	
Full Load Amperes 115/60/1	2.0
REFRIGERATION DATA	
Horsepower	1/10
WEIGHT DATA	
Gross Weight (Crated lbs)	225
Gross Weight (Crated kg)	102

PLAN VIEWS



*Note: Not all markings may apply to all model variations.



BEVERAGE-AIR® CORPORATION

3779 Champion Blvd. • Winston-Salem, NC 27105 USA • (336) 245-6400 • Fax (336) 245-6453 • (888) 845-9800 • www.beverage-air.com

Specifications are subject to change without prior notice. 10/14