



BEVERAGE-AIR

Project: _____	AIA#
Item: _____	
Location: _____	SIS#
Approved: _____	

BAR EQUIPMENT-DUAL ZONE

DZ24 Dual-Zone Bar Mobile, Dual Faucets

MODEL:
DZ24-1-B
DZ24-1-S



DZ24-1-B



DZ24-1-S

3 Year Parts/Labor Warranty
Additional 2 Year Compressor Warranty

CABINET CONSTRUCTION

- Black or stainless steel exterior & interior finishes available
- Interior is galvanized steel with reinforced stainless steel floor
- Stainless steel top with black glass rails
- Stainless steel drip tray for easy cleaning
- Full electronic control
- 3-in-1 Draft Solution uses a single stainless-steel tap to serve different beverages, such as wine, beer, and coffee (or other non-alcoholic beverages) through silver-lined, anti-microbial tubing that is 100% effective against the top 4 beverage spoiling bacteria
- Dual-zone models feature 2 independent compartments that allow independent temperature in each section
- Left hand compartment maintains 32°-40°F, Right hand maintains 50°-65°F *
- Unit has a minimum variance of +/-15°F, and maximum of 20°F depending on condition
- 100% portable with waste bottle to capture beer/wine from drain
- Magnetic gasket provides positive door sealing
- Self-closing door with lock standard
- 3" Insulated tower with dual faucet, standard
- Holds up to (4) 1/6 kegs in each section
- Four-inch (4") Heavy duty casters with two (2) brakes

OPTIONS & ACCESSORIES

- Stainless steel interior
- Tap Locks
- 1-4 Tap insulated stainless towers/taps
- No draft arm with hole cover

REFRIGERATION SYSTEM

- Refrigeration system uses R134a refrigerant to comply with all environmental concerns
- Automatic, non-electric defrost
- Epoxy coated evaporator coil

*Not intended for beer/beer configuration

DZ24 Dual-Zone: Bar Equipment



3779 Champion Blvd., Winston-Salem, NC 27105
 1-888-845-9800 Fax: 1-336-245-6453
 Beverage-Air.com sales@bevair.com



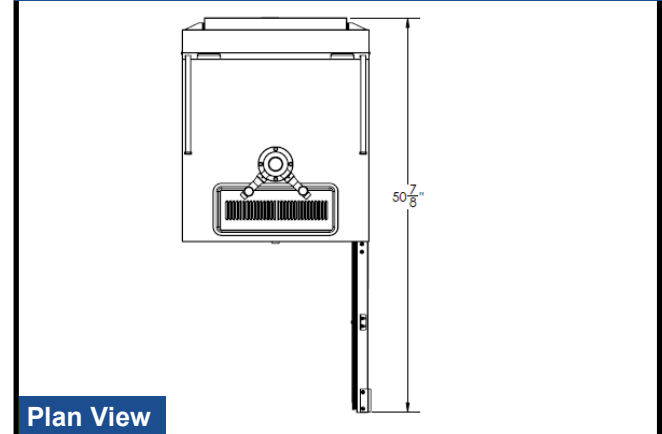
BEVERAGE-AIR

MODEL	DZ24-1-B	DZ24-1-S
EXTERNAL DIMENSIONAL DATA		
Width Overall	24"	24"
Depth Overall	29 3/8"	29 3/8"
Height Overall with 4" Casters & Tap	53"	53"
Door Opening	20" x 27 3/4"	20" x 27 3/4"
Depth with Door Open 90°	50 7/8"	50 7/8"
Number of Doors	1	1
INTERNAL DIMENSIONAL DATA		
NET Capacity (cubic ft.)	7.117	7.117
Internal Width Per Section (in)	10"	10"
Internal Depth Overall (in)	23"	23"
Internal Floor Depth (in)	18 1/8"	18 1/8"
Internal Height Overall—(in)	29 1/2"	29 1/2"
Number of Kegs (1/6)	4	4
ELECTRICAL DATA		
Full Load Amperes 115/60/1	4	4
REFRIGERATION DATA		
Horsepower	1/5	1/5
WEIGHT DATA		
Gross Weight (Crated lbs)	220 lbs	220 lbs
Height - Crated	46"	46"
Width - Crated	31"	31"
Depth - Crated	27"	27"

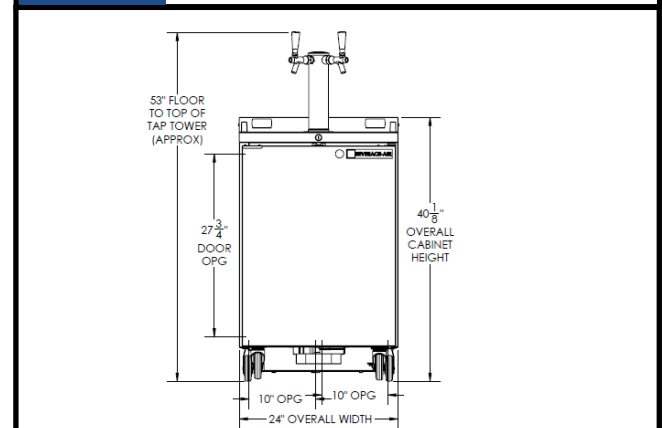
Bar Equipment - Dual-Zone Bar Mobile

Models: DZ24-1-B, DZ24-1-S

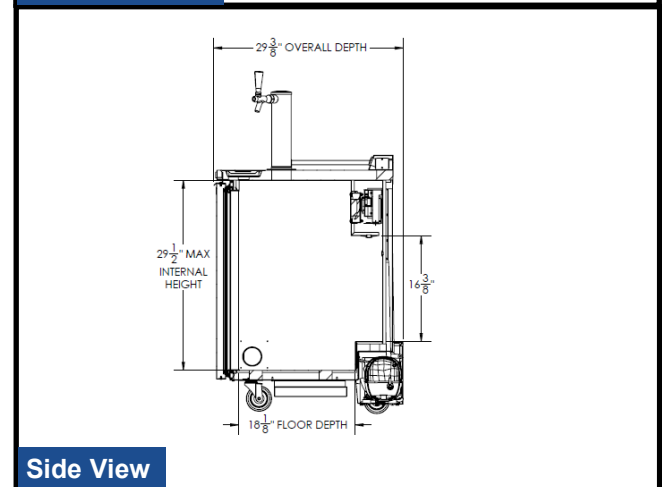
Model Views



Plan View



Elevation View



Side View

ELECTRICAL CONNECTION



115/60/1
NEMA-5-15P

Units pre-wired at factory and include 8' long cord and plug set.



an Ali Group Company



The Spirit of Excellence

3779 Champion Blvd., Winston-Salem, NC 27105
1-888-845-9800 Fax: 1-336-245-6453
Beverage-Air.com sales@bevair.com