



BEVERAGE-AIR

3779 Champion Blvd., Winston-Salem, NC 27105
1-888-845-9800 Fax# 1-336-245-6453
<http://www.Beverage-Air.com>

CUSTOMER'S CHOICE FOR A HOT KITCHEN
Tested & Certified to Ambient Class of 100°F

3 Year Parts/Labor Warranty Additional 2 Year Compressor Warranty

CABINET CONSTRUCTION

- Exterior—Stainless steel interior and exterior standard.
- Insulation—foamed-in-place CFC and HCFC-free polyurethane insulation.
- One-piece grille allows easy removal/installation for preventative maintenance.

ELECTRONIC CONTROL

- Electronic thermostat with manual defrost button provides a digital display of cabinet temperatures, which includes status indicators and key pad for any necessary temperature adjustments.

REFRIGERATION SYSTEM

- Bottom mount balanced refrigeration system for better ergonomics.
- Automatic condensate evaporation system for energy efficiency.
- Forced-air system ensures uniform distribution of airflow throughout the entire cabinet to ensure even product temperatures. Solid door models are designed to maintain 0°F at 100°F ambient according to NSF7; Glass door models are designed for -10°F at 86°F ambient and -15°F at 75°F ambient.
- Self-contained refrigeration system uses environmentally friendly (CFC and HCFC-free) R404A refrigerant.
- Defrost system is automatic, time-initiated and temperature terminated operation.

DOORS

- Choose from full solid door or half solid doors.
- Anti-microbial door handles and door locks are standard.
- Spring-loaded hinges standard. Positive seal self-closing door(s) with 120° stay open feature.
- Plug-in magnetic door gaskets of one piece construction, removable without tools for ease of cleaning.

SHELVING

- Three (3) heavy duty epoxy coated wire shelves per section standard. Four (4) shelf clips included per shelf (field installed).
- Shelves are adjustable in 1/2" increments.

MODEL FEATURES

- LED lighting standard
- 6" heavy-duty casters included, two with brakes standard. 3" casters or 6" legs optional.
- Pre-wired plug for 115/60/1 phase.
- Epoxy coated evaporator prevents corrosion.
- ENERGY STAR® Qualified
- UL-EPH and CUL for open food product.

Item No. _____
Quantity _____

BOTTOM MOUNTED REACH-IN FREEZERS

Horizon Series
Full Solid & Half Solid Doors

MODEL:
HBF23-1-S / HBF23-1-HS
HBF27-1-S / HBF27-1-HS
HBF44-1-S / HBF44-1-HS
HBF49-1-S / HBF49-1-HS
HBF72-1-S / HBF72-1-HS



HBF23-1-HS



HBF49-1

Available From:



*Note: Not all markings may apply to all model variations.

Model Specified _____	Store# _____
Location _____	Quantity _____



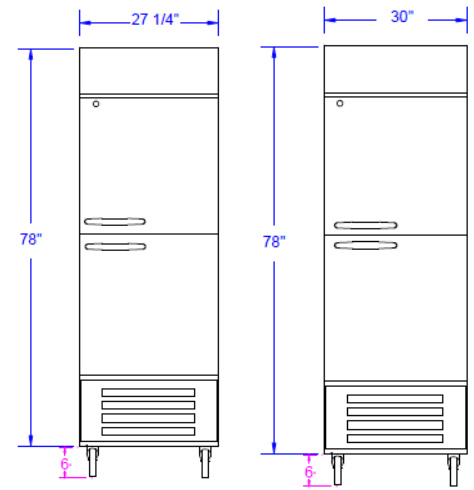
BEVERAGE-AIR

Horizon Bottom Mount Freezers

Models: HBF23, HBF27, HBF44, HBF49, HBF72

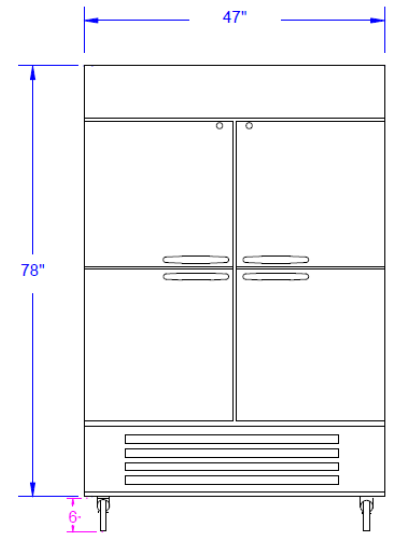
MODEL	HBF23	HBF27	HBF44	HBF49	HBF72
EXTERNAL DIMENSIONAL DATA					
Length Overall (inches)	27 1/4"	30"	47"	52"	75"
Length Overall (mm)	692	762	1193	1321	1905
Depth Overall (inches) - <i>includes handle</i>	33 3/4"	33 3/4"	33 3/4"	33 3/4"	33 3/4"
Depth Overall (mm) - <i>includes handle</i>	857	857	857	857	857
Height Overall— (inches) / (mm) <i>Add 6" for legs or casters</i>	78" / 1981	78" / 1981	78" / 1981	78" / 1981	78" / 1981
Number of doors	1	1	2	2	3
Depth with Door Open 90 °	60"	60"	60"	60"	60"
INTERNAL DIMENSIONAL DATA					
NET Capacity (cubic ft.)	23	27	44	49	72
NET Capacity (Liters)	651	765	1246	1388	2039
Internal Length Overall (inches)	24"	27"	47"	49"	72"
Internal Length Overall (mm)	610	686	1194	1245	1829
Internal Depth Overall (inches)	28 1/2"	28 1/2"	28 1/2"	28 1/2"	28 1/2"
Internal Depth Overall (mm)	724	724	724	724	724
Internal Height Overall—(inches)	61 3/4"	61 3/4"	61 3/4"	61 3/4"	61 3/4"
Internal Height Overall—(mm)	1569	1569	1569	1569	1569
Number of shelves	3	3	6	6	9
ELECTRICAL DATA					
Full Load Amperes 115/60/1	10.9 A	11.9 A	11.9 A	11.9 A	11.9
REFRIGERATION DATA					
Horsepower	1/2	3/4	3/4	3/4	3/4
WEIGHT DATA					
Gross Weight (Crated lbs) Solid / Glass	300/446	446 / 516	515 / 545	564 / 651	758
Gross Weight (Crated kg) Solid / Glass	136/202	202 / 234	233 / 247	256/ 295	344

PLAN VIEWS



HBF23

HBF27

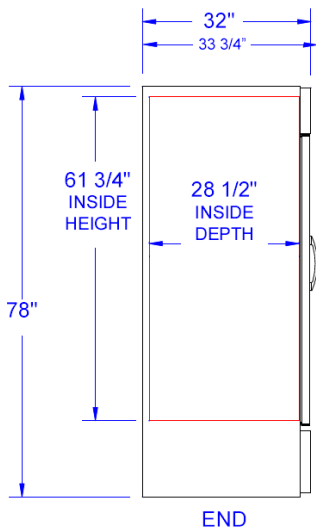


HBF44

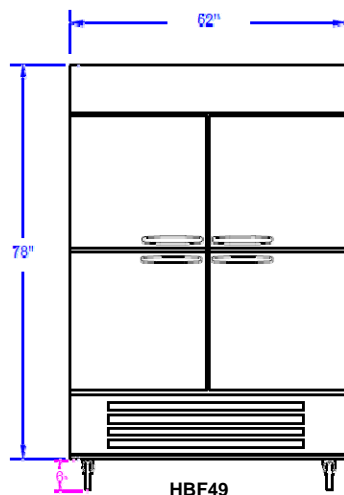


*Note: Freezers powered by 115/208-230 volts are designed for field wiring (requires 4-wire electrical circuit, hard-wired).

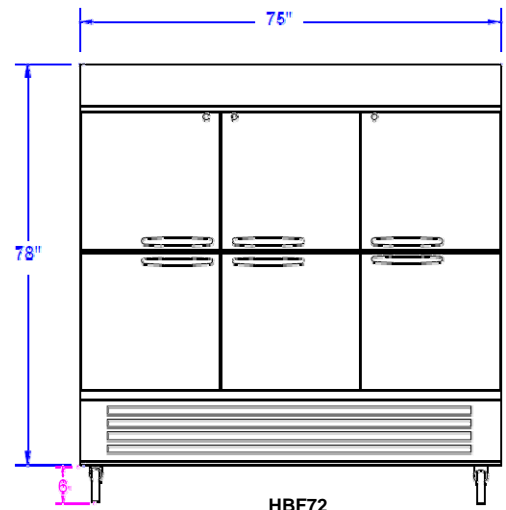
Note: Not all markings may apply to all model variations.



END



HBF49



HBF72

BEVERAGE-AIR® CORPORATION

3779 Champion Blvd. • Winston-Salem, NC 27105 USA • (336) 245-6400 • Fax (336) 245-6453 • (888) 845-9800 • www.beverage-air.com

Specifications are subject to change without prior notice. 5/15