



BEVERAGE-AIR

3779 Champion Blvd., Winston-Salem, NC 27105
1-888-845-9800 Fax# 1-336-245-6453
<http://www.Beverage-Air.com>

CUSTOMER'S CHOICE FOR A *HOT* LOCATION
Tested & Certified to Ambient Class of 100°F

3 Year Parts/Labor Warranty Additional 2 Year Compressor Warranty

LUMAVUE SERIES—GLASS DOOR MERCHANDISER

Used for merchandising and storage of product.

CABINET CONSTRUCTION

Heavy duty construction includes white coated steel interior walls. Exterior finish is heavy-duty steel with a baked on durable coating. Choose from black or white finish.

Foamed-in-place CFC and HCFC-free polyurethane insulation enhances the structural strength of the cabinet and helps increase energy efficiency.

Modern, one-piece grille is easily removed for cleaning and servicing.

Double pane, lowE argon filled glass door features inside and outside panes that are tempered for added safety.

Self-closing, hinged glass door features recessed, pocket door handle provides low profile and is more aesthetically pleasing. Door provides automatic hold-open feature.

Three white epoxy coated steel shelves are standard.

REFRIGERATION

Whisper-quiet refrigeration system uses R134a refrigerant, which is CFC and HCFC-free for compliance with environmental safety concerns.

Product temperatures from 32°F to 40°F.

ELECTRICAL

Standard LED lighting provides hidden light source for increased product visibility. LED bulbs last up to 10 times longer compared to fluorescent bulbs and renders additional energy savings due to reduced wattage load on compressor.

Units wired at factory and ready for connection to a 115/60/1 phase, 15 amp dedicated outlet. 8' long cord and plug set included.

ELECTRICAL CONNECTION

Units pre-wired at factory and include 8' long cord and plug set.



Item No. _____
Quantity _____

**HINGED GLASS DOOR
LUMAVUE™
MERCHANDISER SERIES
LV10**

**MODELS:
LV10-1-B-LED
LV10-1-W-LED**



LV10-1-B
(shown with optional fourth shelf)

SPECIAL FEATURES

- Whisper-quiet refrigeration system
- Recessed, pocket door handle
- Gravity Flo kits and Can Roller options available

Available From:



*Note: Not all markings may apply to all model variations.

Model Specified _____

Store# _____

Location _____

Quantity _____



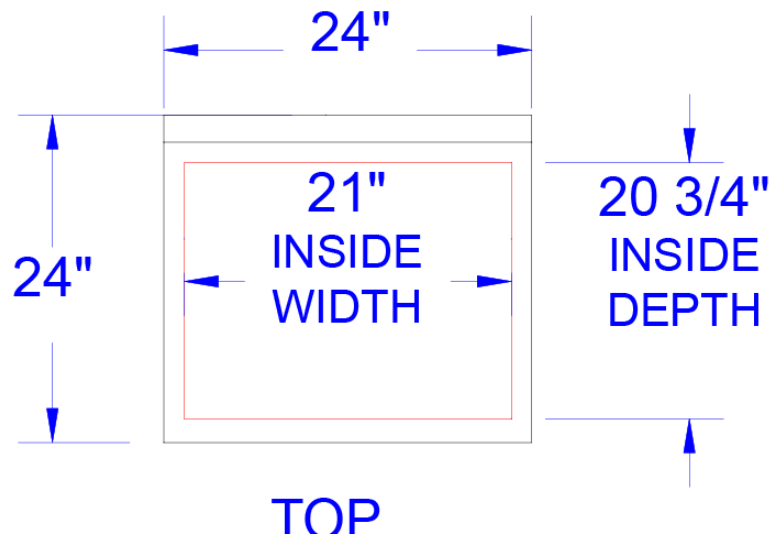
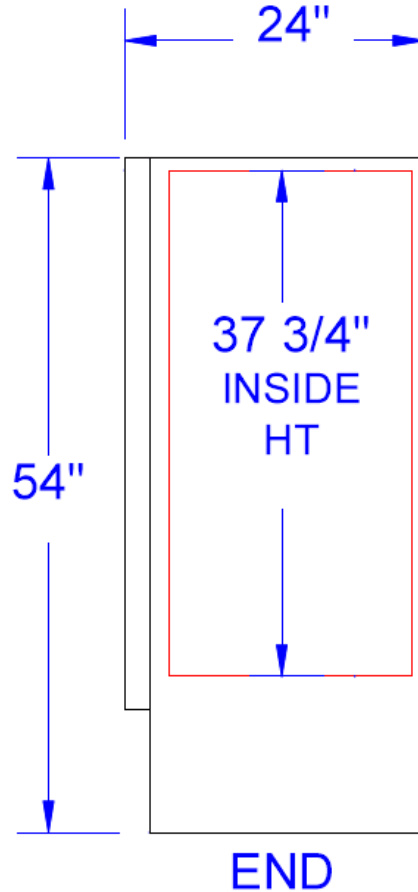
BEVERAGE-AIR

PLAN VIEWS

LumaVue Glass Door Merchandisers

Model: LV10

MODEL	LV10
EXTERNAL DIMENSIONAL DATA	
Length Overall (inches) Length Overall (mm)	24" 610
Depth Overall (inches) Depth Overall (mm)	24" 610
Height Overall— (inches) Height Overall— (mm)	54" 1372
Number of doors	1
Depth with Door Open 90 °	n/a*
INTERNAL DIMENSIONAL DATA	
NET Capacity (cubic ft.) NET Capacity (Liters)	10 283
Internal Length Overall (inches) Internal Length Overall (mm)	21" 533
Internal Depth Overall (inches) Internal Depth Overall (mm)	20 3/4" 527
Internal Height Overall—(inches) Internal Height Overall—(mm)	37 3/4" 959
Number of shelves	3
ELECTRICAL DATA	
Full Load Amperes 115/60/1	5.0 A
ENERGY CONSUMPTION	3.1 kWh/Day
REFRIGERATION DATA	
Horsepower	1/5
WEIGHT DATA	
Gross Weight (Crated lbs)	220
Gross Weight (Crated kg)	100



Note: Not all markings may apply to all model variations.

*N/A: Not available at time of printing.

BEVERAGE-AIR® CORPORATION

3779 Champion Blvd. • Winston-Salem, NC 27105 USA • (336) 245-6400 • Fax (336) 245-6453 • (888) 845-9800 • www.beverage-air.com

Specifications are subject to change without prior notice. 09/16