



BEVERAGE-AIR

3779 Champion Blvd., Winston-Salem, NC 27105
1-888-845-9800 Fax# 1-336-245-6453
<http://www.Beverage-Air.com>

CUSTOMER'S CHOICE FOR A HOT LOCATION
Tested & Certified to Ambient Class of 100°F

3 Year Parts/Labor Warranty
Additional 2 Year Compressor Warranty

LUMAVUE SERIES—GLASS DOOR MERCHANDISER

Used for merchandising and storage of product.

CABINET CONSTRUCTION

Heavy duty construction includes white coated steel interior walls. Exterior finish is heavy-duty steel with a baked on durable coating. Choose from black or white finish.

Foamed-in-place CFC and HCFC-free polyurethane insulation enhances the structural strength of the cabinet and helps increase energy efficiency.

Modern, one-piece grille is easily removed for cleaning and servicing.

Double pane, lowE argon filled glass doors feature inside and outside panes that are tempered for added safety.

Two sliding glass doors feature integral door handles that provide low profile and are more aesthetically pleasing. Hold-open feature is standard.

Five white epoxy coated steel shelves per door are standard.

Brightly lighted sign panel.

REFRIGERATION

Whisper-quiet refrigeration system uses R134a refrigerant, which is CFC and HCFC-free for compliance with environmental safety concerns.

Product temperatures from 32°F to 40°F.

ELECTRICAL

Standard LED lighting provides hidden light source for increased product visibility. LED bulbs last up to 10 times longer compared to fluorescent bulbs and renders additional energy savings due to reduced wattage load on compressor.

Units wired at factory and ready for connection to a 115/60/1 phase, 15 amp dedicated outlet. 8' long cord and plug set included.

Item No. _____
Quantity _____

SLIDING GLASS DOOR
LUMAVUE™
MERCHANDISER SERIES
LV38

MODEL:
LV38-1-B-LED
LV38-1-W-LED



LV38-1-B (shown with 4 shelves per section)

SPECIAL FEATURES

- Whisper-quiet refrigeration system
- Sliding glass doors
- Brightly lighted sign panel
- 2010 Federal Energy Compliant
- Gravity Flo kits and Can Roller options available

ELECTRICAL CONNECTION



115/60/1
NEMA-5-15P

Units pre-wired at factory and include 8' long cord and plug set.



*Note: Not all markings may apply to all model variations.

Available From:

Model Specified _____

Store# _____

Location _____

Quantity _____



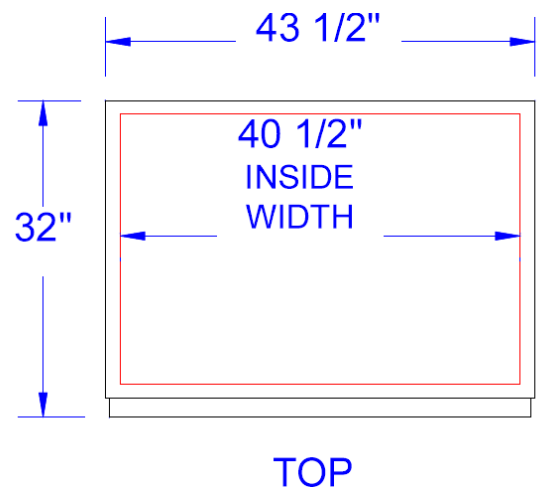
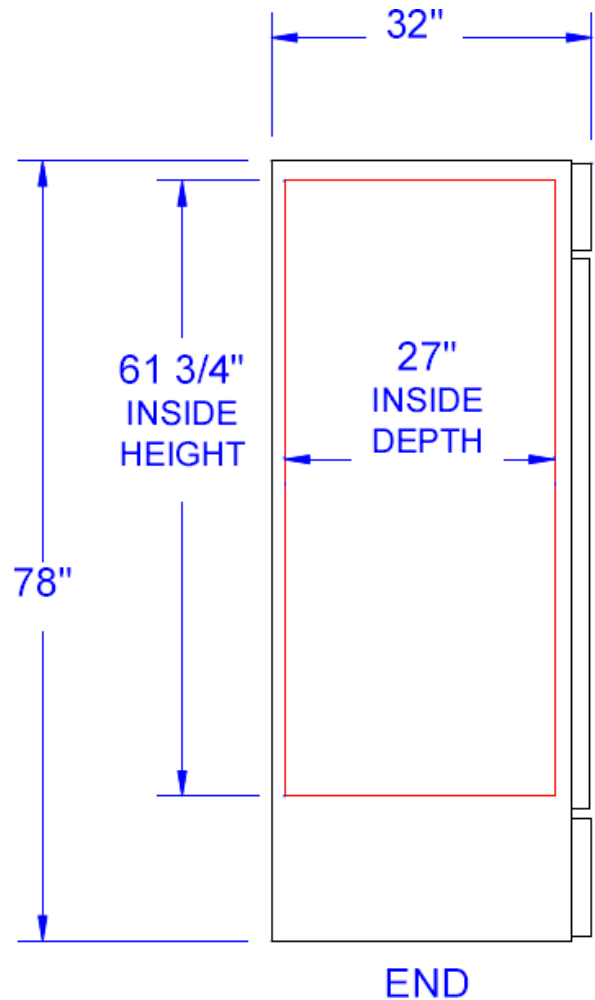
BEVERAGE-AIR

LumaVue Glass Door Merchandisers

Model: LV38

MODEL	LV38
EXTERNAL DIMENSIONAL DATA	
Length Overall (inches)	43 1/2"
Length Overall (mm)	1105
Depth Overall (inches)	32"
Depth Overall (mm)	813
Height Overall— (inches)	78"
Height Overall— (mm)	1981
Number of doors	2
INTERNAL DIMENSIONAL DATA	
NET Capacity (cubic ft.)	38
NET Capacity (Liters)	1037
Internal Length Overall (inches)	40 1/2"
Internal Length Overall (mm)	1029
Internal Depth Overall (inches)	27"
Internal Depth Overall (mm)	686
Internal Height Overall—(inches)	61 3/4"
Internal Height Overall—(mm)	1569
*Internal Height to Evaporator Housing—(inches)	54"
*Internal Height to Evaporator Housing—(mm)	1372
Number of shelves	10
ELECTRICAL DATA	
Full Load Amperes 115/60/1	8.8 A
ENERGY CONSUMPTION	
	5.17 kWh/Day
REFRIGERATION DATA	
Horsepower	1/3
WEIGHT DATA	
Gross Weight (Crated lbs)	456
Gross Weight (Crated kg)	207

PLAN VIEWS



Note: Not all markings may apply to all model variations.
*Internal height to evaporator housing.

BEVERAGE-AIR® CORPORATION

3779 Champion Blvd. • Winston-Salem, NC 27105 USA • (336) 245-6400 • Fax (336) 245-6453 • (888) 845-9800 • www.beverage-air.com

Specifications are subject to change without prior notice. 05/15