



BEVERAGE-AIR

3779 Champion Blvd., Winston-Salem, NC 27105
1-888-845-9800 Fax# 1-336-245-6453
http://www.Beverage-Air.com

CUSTOMER'S CHOICE FOR A HOT LOCATION
Tested & Certified to Ambient Class of 100°F

3 Year Parts/Labor Warranty Additional 2 Year Compressor Warranty

MARKETMAX™ MERCHANDISER SERIES—GLASS DOOR MERCHANDISER WITH ELECTRONIC LOCK

Single section glass door merchandiser with lighted sign panel used for merchandising and storage of frozen food, frozen novelty items and cold product.

CABINET CONSTRUCTION

Heavy duty construction includes white coated steel interior walls. Exterior finish is heavy-duty steel with a baked on durable coating. Choose from black or white finish. S/S exterior and black interior options are available.

Foamed-in-place CFC and HCFC-free polyurethane insulation
Modern, one-piece grille is easily removed for cleaning and servicing.

Refrigerators have double pane, lowE argon filled glass doors. Freezer models have heated triple pane glass. Inside and outside panes are tempered for added safety. Anti-microbial door handles are standard. Door provides automatic hold-open feature.

Brightly lighted sign panel.

SHELVING

Five (5) heavy duty epoxy coated wire shelves per section standard. Four (4) shelf clips included per shelf (field installed). Shelves are adjustable in 1/2" increments.

ELECTRONIC CONTROL

Electronic control features a manual defrost button, automatic defrost, automatic lock, & a digital display of cabinet temperatures. It also includes status indicators and key pad for any necessary temperature adjustments.

ELECTRONIC LOCK

If the cabinet temperature exceeds the food safety temperature, the door will automatically lock until the cabinet temperature can be restored. The door will lock if there is a loss of power. Upon power up, the door will unlock if the power loss did not exceed 15 minutes. If the power loss exceeded 15 minutes, the door will remain locked until the system is reset.

REFRIGERATION

Self-contained bottom mount refrigeration system. Expansion valve refrigerant control on freezer provides quick temperature pull down and reduces compressor run time—meaning reduced energy consumption. Includes automatic condensate disposal. Refrigerators utilize ozone friendly R134a refrigerant. Freezers utilize ozone friendly R404A refrigerant and its defrost system is fully automatic, time-initiated and temperature terminated operation.

Freezer product temperatures from -10°F to -15°F.
Refrigerator product temperatures from 36°F to 38°F.

ELECTRICAL

Interior LED lighting enhances product illumination. Standard LED lighting provides hidden light source for increased product visibility. LED bulbs last up to 10 times longer compared to fluorescent bulbs and renders additional energy savings due to reduced wattage load on compressor.

Item No. _____
Quantity _____

**HINGED GLASS DOOR
MARKETMAX™
MERCHANDISER SERIES**
MM23 Refrigerator and Freezers
Single Door with Electronic Lock Feature

MODELS:
MMR23-1-B-EL
MMR23-1-W-EL
MMF23-1-B-EL
MMF23-1-W-EL



MMF23-1-S-EL
show in s/s exterior
(finishes available in white and black)

SPECIAL FEATURES

- MMR23 and MMF23 have earned the ENERGY STAR®
- Anti-microbial door handle
- Electronic control with digital display
- Brightly lighted sign panel
- **Available options:** S/S Exterior, Black Interior, Wine Racks, Spring Feed Dividers, Casters, Audible Alarm With PM Feature, Smart Defrost



115/60/1
NEMA-5-15P

ELECTRICAL CONNECTION

Units pre-wired at factory and include 8' long cord and plug set.

Available From:



*Note: Not all markings may apply to all model variations.

Model Specified _____	Store# _____
Location _____	Quantity _____



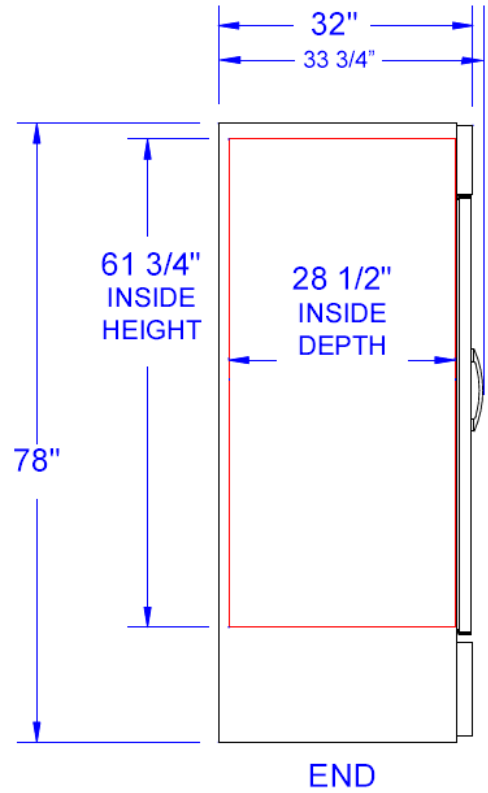
BEVERAGE-AIR

MarketMax™ Glass Door Merchandisers

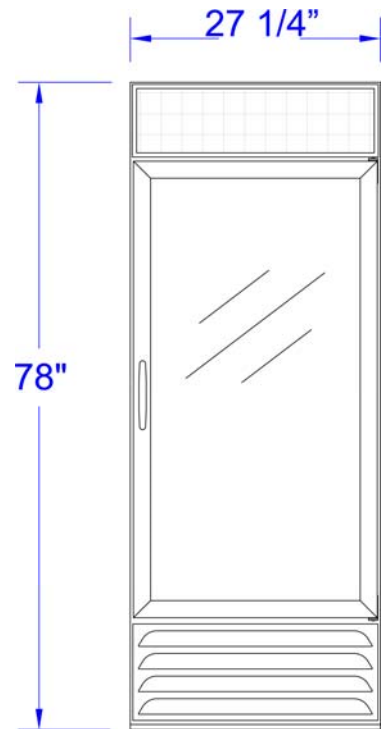
Model: MMR23, MMF23

MODEL	MMR23	MMF23
EXTERNAL DIMENSIONAL DATA		
Length Overall (inches) - includes handle	27 1/4"	27 1/4"
Length Overall (mm) - includes handle	692	692
Depth Overall (inches) - includes handle	33 3/4"	33 3/4"
Depth Overall (mm) - includes handle	857	857
Height Overall— (inches)	78"	78"
Height Overall— (mm)	1981	1981
Number of doors	1	1
Depth with Door Open 90 °	60"	60"
INTERNAL DIMENSIONAL DATA		
NET Capacity (cubic ft.)	23	23
NET Capacity (Liters)	651	651
Internal Length Overall (inches)	24"	24"
Internal Length Overall (mm)	610	610
Internal Depth Overall (inches)	28 1/2"	28 1/2"
Internal Depth Overall (mm)	724	724
Internal Height Overall—(inches)	61 3/4"	61 3/4"
Internal Height Overall—(mm)	1569	1569
Number of shelves	5	5
ELECTRICAL DATA		
Full Load Amperes 115/60/1	5.8 A	10.9 A
REFRIGERATION DATA		
Horsepower	1/3	1/2
WEIGHT DATA		
Gross Weight (Crated lbs)	300	325
Gross Weight (Crated kg)	136	147

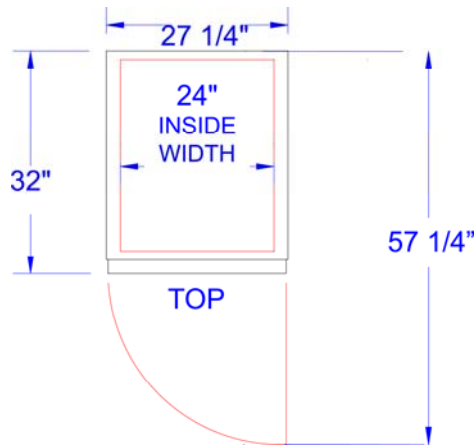
PLAN VIEWS



END



FRONT



TOP



Note: Not all markings may apply to all model variations.

BEVERAGE-AIR® CORPORATION

3779 Champion Blvd. • Winston-Salem, NC 27105 USA • (336) 245-6400 • Fax (336) 245-6453 • (888) 845-9800 • www.beverage-air.com

Specifications are subject to change without prior notice. 04/15