



| | |
|-----------------|------|
| Project: _____ | AIA# |
| Item: _____ | |
| Location: _____ | SIS# |
| Approved: _____ | |

PH REACH-IN WARMING CABINET

**MODEL:
PH2-1S**

PH2 Double Solid Door Warming Cabinet



PH2-1S-PT

**3 Year Parts/Labor Warranty
Additional 2 Year Compressor Warranty**

CABINET CONSTRUCTION

- Stainless steel front, door and door liner
- Interior liner is made of corrosion resistant aluminum
- Operational indicator panel contains thermometer and adjustable thermostat control which is accurately calibrated from 80°F to 180°F
- Manually controlled humidity vents are provided in the top of the cabinet
- Self closing doors with safety stops
- Heavy-duty cylinder lock and self-adjusting magnetic gasket
- Cam-lift hinges
- Anti-microbial door handles
- Three (3) silver freeze shelves
- 6" Adjustable legs standard

OPTIONS & ACCESSORIES

- Stainless steel exterior and Interior
- Pan slides
- 3"-6" Casters

ELECTRICAL SYSTEM

- 20 AMP breaker required for double door units
- Strip type 750-watt heating elements, operating on 208-240/60/1, having a total of 1500 watts per compartment.
- Externally mounted blower system maintains even temperature through out the food zone area.

PH2 Bottom Mount Models: Warming Cabinet



3779 Champion Blvd., Winston-Salem, NC 27105
 1-888-845-9800 Fax: 1-336-245-6453
 Beverage-Air.com sales@bevair.com

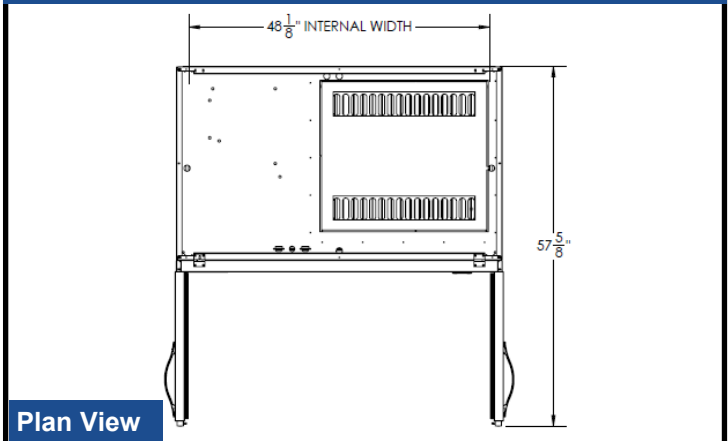


BEVERAGE-AIR

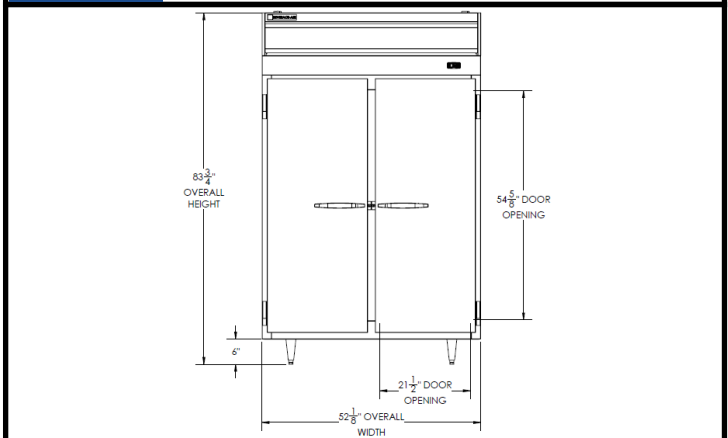
Warming Cabinet Model: PH2-1S

| MODEL | PH2-1S |
|-------------------------------------|-------------------|
| EXTERNAL DIMENSIONAL DATA | |
| Width Overall | 52 1/8" |
| Depth Overall with Handle | 34 5/8" |
| Height Overall with Legs | 83 3/4" |
| Number of Doors | 2 |
| Depth with Door Open 90° | 57 5/8" |
| Door Opening (in) | 21 1/2" x 54 5/8" |
| INTERNAL DIMENSIONAL DATA | |
| NET Capacity (cubic ft.) | 43.3 |
| Internal Width Overall (in) | 48 1/8" |
| Internal Depth Overall (in) | 26" |
| Internal Height Overall (in) | 56 5/8" |
| Number of Shelves | 6 |
| ELECTRICAL DATA | |
| Cabinet Voltage 208-240/60/1 | 208-240/60/1 |
| Max. Fuse Size T.D. | 20 AMPS |
| Feed Wires | 2 |
| Heater Watts per section (@240V) | 1500 |
| Total Wattage (Heaters & Fan @240V) | 1500 |
| Total AMPS | 13.00 |
| WEIGHT DATA | |
| Gross Weight (Crated lbs) | 320 lbs |
| Height - Crated | 87" |
| Width - Crated | 35" |
| Depth - Crated | 41" |

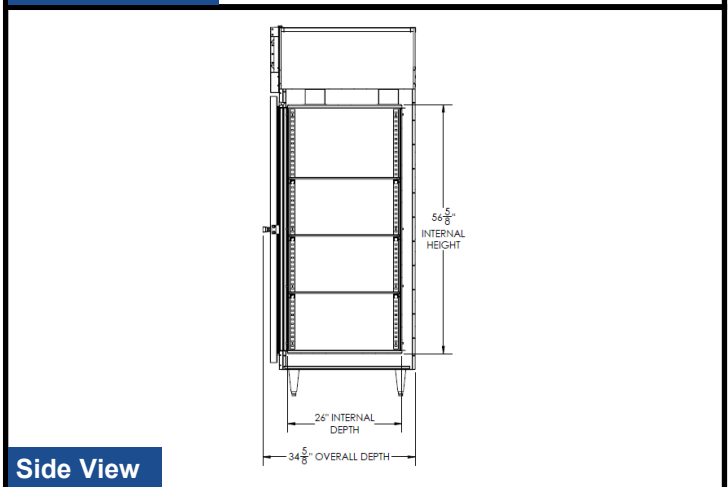
Model Views



Plan View



Elevation View



Side View

ELECTRICAL CONNECTION



208-240/60/1
NEMA 6-20A

Units pre-wired at factory and include 8' long cord and plug set.



an Ali Group Company



The Spirit of Excellence

3779 Champion Blvd., Winston-Salem, NC 27105
1-888-845-9800 Fax: 1-336-245-6453
Beverage-Air.com sales@bevair.com