



BEVERAGE-AIR

3779 Champion Blvd., Winston-Salem, NC 27105
1-888-845-9800 Fax# 1-336-245-6453
<http://www.Beverage-Air.com>

CUSTOMER'S CHOICE FOR A HOT KITCHEN
Designed to perform in high ambient conditions

3 Year Parts/Labor Warranty Additional 2 Year Compressor Warranty

RRPD SERIES "RAISED RAIL" PREP TABLES

The Raised Rail Prep Table assures that condiments maintain between 34° and 41°F. It eliminates any chance of freezing product with lids open or closed and prevents unsanitary defrosting associated with cold wall, refrigerated rails. Unit also features an ergonomically friendly raised angle rail.

CABINET CONSTRUCTION

Exterior construction includes heavy-duty stainless steel finish on front, sides, top, door(s) and grille. Insulated lid assemblies are made of matching stainless steel. Cabinet back and bottom are constructed of galvanized steel. Interior liner is made of aluminum for superior resistance to corrosion.

Doors are mounted to face of cabinet on cartridge style hinges permitting them to self close under their own weight. Hinges also allow doors to stay open 120° and permit easy door removal for service and cleaning if required. A plug in type vinyl magnetic gasket is attached to each door for positive seal. Door handle is made from extruded aluminum. It is contoured to permit easy opening of doors with fingers from both top and bottom of handle.

Refrigerated door above condensing unit.

Cabinet insulation is CFC free foamed-in-place polyurethane of two-inch minimum thickness. Five-inch casters, 2 with brakes, are standard. Six-inch casters or legs are optional.

Cutting board supplied with cabinet is 19" wide constructed of high-density white polyethylene plastic. It is readily removable for cleaning. Two epoxy-coated steel wire shelves are supplied behind each door as standard. Units will accept pans up to 6" deep. Pans are not included.

REFRIGERATION

Systems are designed using CFC free R134a refrigerant and expansion valve for quick recovery. Built-in off cycle defrost timer. Interior thermometer. Plasticized coils are coated for maximum corrosion protection. Forced air design utilizes fans approximately every 12" across the entire back of the unit for even distribution of cold air. Automatic, energy saving, non-electric condensate evaporator is provided to eliminate the need of floor drains.

Item No. _____
Quantity _____

FOOD PREPARATION SERIES RAISED RAIL PIZZA PREP TABLES RRP SERIES

MODELS:
RRP60
RRPD60



RRPD60

Options & Accessories

- Overshelves (single or double)
- Automatic, electric condensate evaporator
- Exterior dial or digital thermometer
- Stainless steel back and interior
- Wire rod garnish rack
- Remote models
- Door/Drawer locks
- Adjustable Legs

ELECTRICAL CONNECTION

Units pre-wired at factory and include 8' long cord and plug set.



Available From:

Model Specified _____

Store# _____

Location _____

Quantity _____

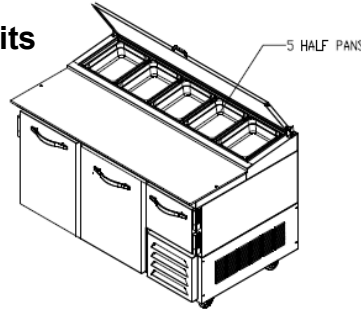


BEVERAGE-AIR

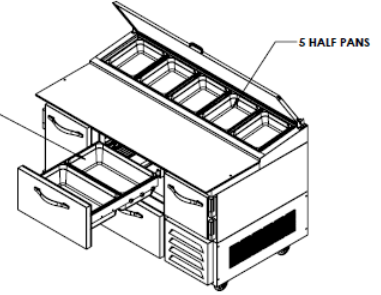
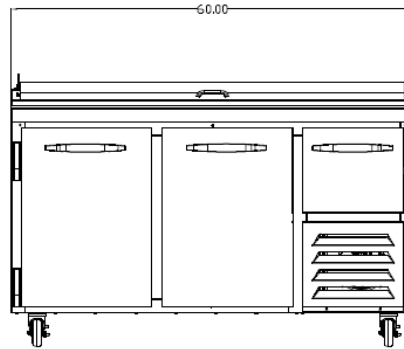
PLAN VIEWS

Food Preparation Raised Rail Pizza Prep Units
Models: RRP60, RRPD60

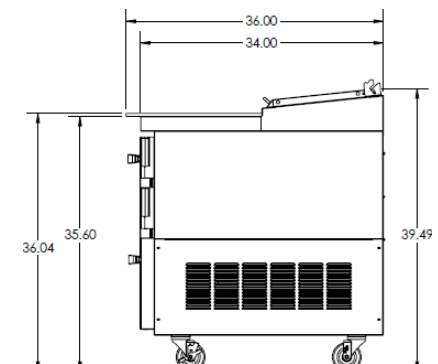
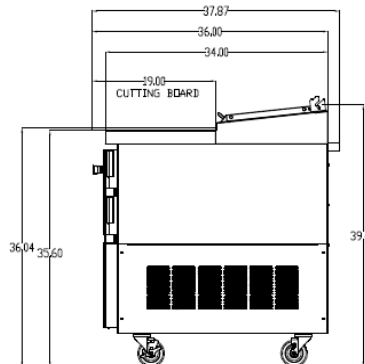
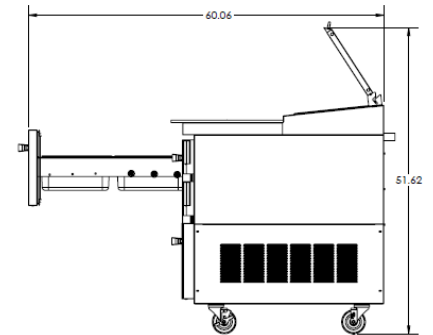
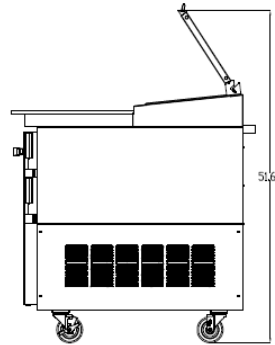
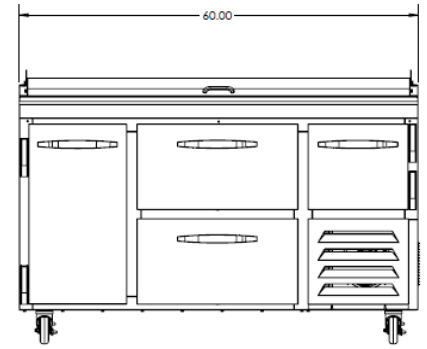
MODEL	RRP60/RRPD60
EXTERNAL DIMENSIONAL DATA	
Length Overall (inches) Length Overall (mm)	60" 1524
Depth Overall (inches) Depth Overall (mm)	37 7/8" 962
Height Overall— (inches) Height Overall— (mm)	39 1/2" 1003
Number of doors	2/1
Number of drawers	0/2
INTERNAL DIMENSIONAL DATA	
NET Capacity (cubic ft.) NET Capacity (Liters)	19 538
Internal Length Overall (inches) full door Internal Length Overall (mm)	17" 432
Internal Length Overall (inches) door above compressor Internal Length Overall (mm)	17" 432
Internal Length Overall (inches) door above compressor Internal Length Overall (mm)	12" 305
Internal Depth Overall (inches) Internal Depth Overall (mm)	30" 762
Internal Height Overall—(inches) Internal Height Overall—(mm)	12 1/2" 318
Number of shelves	3/4
ELECTRICAL DATA	
Full Load Amperes 115/60/1	6.9
ENERGY CONSUMPTION (KWH)	
REFRIGERATION DATA	
Horsepower	3/4
WEIGHT DATA	
Gross Weight (Crated lbs)	500/518
Gross Weight (Crated kg)	227/235



RRP60



RRPD60



BEVERAGE-AIR® CORPORATION

3779 Champion Blvd. • Winston-Salem, NC 27105 USA • (336) 245-6400 • Fax (336) 245-6453 • (888) 845-9800 • www.beverage-air.com

Specifications are subject to change without prior notice. 08/17