



BEVERAGE-AIR

Project: _____	AIA#
Item: _____	
Location: _____	SIS#
Approved: _____	

ST SCHOOL MILK COOLERS

ST49N Dual Access, Cold Wall

MODELS:
ST49N-1-S
ST49N-1-W



ST49N 1-S



ST49N -1-W

3 Year Parts/Labor Warranty
Additional 2 Year Compressor Warranty

CABINET CONSTRUCTION

- SS units: Stainless steel exterior and interior
- White units: White coated steel exterior and interior is galvanized steel with stainless steel floor for maximum milk crate support.
- Lids, doors, adjustable hinges and door latches made from stainless steel are standard on all units
- Full electronic Control
- Heavy-duty epoxy coated steel wire floor racks standard
- Floor drain is centrally located for easy cleaning, connecting to drain hose with hose adapter
- Flexible compression door gaskets ensure tight seal
- Self-latching doors/lids with safety bumpers
- Exterior thermometer
- Cylinder lock
- 4" Heavy-duty plate casters (2 with locks)
- Maintains continuous milk temperature between 36° - 38°F

OPTIONS & ACCESSORIES

- Stainless steel interior available
- Wrap around & corner bumpers
- Custom graphics

REFRIGERATION SYSTEM

- Refrigeration system uses R404A refrigerant to comply with all environmental concerns

ST49N Dual Access, Cold Wall : School Milk Series



3779 Champion Blvd., Winston-Salem, NC 27105
 1-888-845-9800 Fax: 1-336-245-6453
 Beverage-Air.com sales@bevair.com



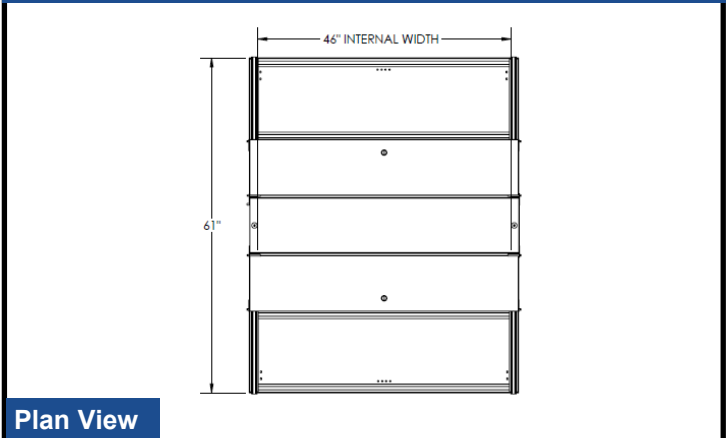
BEVERAGE-AIR

ST Series—School Milk Cooler

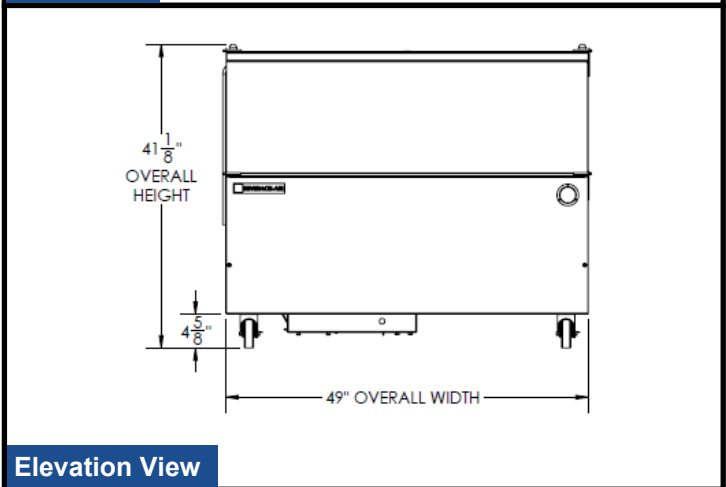
Models: ST49N-1-S, ST49N-1-W

MODEL	ST49N-1-S	ST49N-1-W
EXTERNAL DIMENSIONAL DATA		
Width Overall	49"	49"
Depth Overall	31 1/4"	31 1/4"
Depth Overall with Lids/Doors Extended	61"	61"
Height Overall with Casters	41 1/8"	41 1/8"
Number of Lids/Doors	4	4
INTERNAL DIMENSIONAL DATA		
NET Capacity (cubic ft.)	20	20
Internal Width Overall (in)	46"	46"
Internal Depth Overall (in)	27"	27"
Internal Height Overall (in)	25 1/2"	25 1/2"
CASE CAPACITIES		
13" x 13" x 11"	12	12
19" x 13" x 11"	8	8
ELECTRICAL DATA		
Full Load Amperes 115/60/1	7.5	7.5
REFRIGERATION DATA		
Horsepower	1/4	1/4
WEIGHT DATA		
Gross Weight (Crated lbs)	336 lbs	336 lbs
Height - Crated	47"	47"
Width - Crated	52"	52"
Depth - Crated	34"	34"

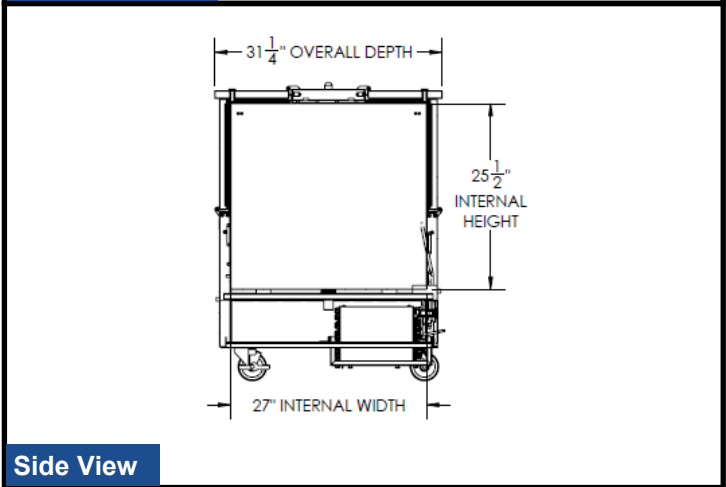
Model Views



Plan View



Elevation View



Side View

ELECTRICAL CONNECTION

Units pre-wired at factory and include 8' long cord and plug set.



115/60/1
NEMA-5-15P



an Ali Group Company



The Spirit of Excellence

3779 Champion Blvd., Winston-Salem, NC 27105
1-888-845-9800 Fax: 1-336-245-6453
Beverage-Air.com sales@bevair.com