



BEVERAGE-AIR

Project: _____

AIA#

Item: _____

Location: _____

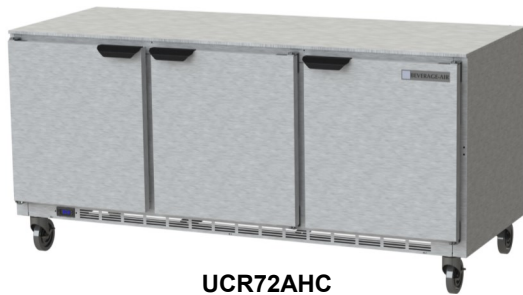
SIS#

Approved: _____

UCR UNDERCOUNTER

UCR72AHC Undercounter Refrigerator Hydrocarbon Series

**MODELS:
UCR72AHC**



UCR72AHC

**3 Year Parts/Labor Warranty
Additional 2 Year Compressor Warranty**

CABINET CONSTRUCTION

- Stainless steel front, sides, top, door(s), (*galvanized steel back & bottom*)
- Interior liner is made of corrosion resistant aluminum
- Full electronic control
- Undercounter feature a 1/2" thick sub-top
- Interior thermometer is standard
- Self-closing doors with 120° stay-open feature, on cartridge style hinges
- Easy door removal for service and cleaning
- Magnetic gasket attached to each door for positive seal
- Painted aluminum door handle(s)
- 6" Casters, two (2) with brakes standard
- Two epoxy-coated steel wire shelves per section standard
- Field reversible door

OPTIONS & ACCESSORIES

- Stainless steel interior available
- Stainless steel back
- Cutting board top option
- Solid door(s) with lock
- Glass door(s) with lock
- Shelf dividers
- 6" Legs
- 3" Casters
- Low profile casters
- Foot pedal door opener

REFRIGERATION SYSTEM

- Refrigeration system uses R290 refrigerant to comply with all environmental concerns
- Automatic, non-electric evaporator
- System is serviceable from rear
- Epoxy coated evaporator coil

UCR72AHC Undercounter Refrigerator: Food Prep Series



3779 Champion Blvd., Winston-Salem, NC 27105
1-888-845-9800 Fax: 1-336-245-6453
Beverage-Air.com sales@bevair.com



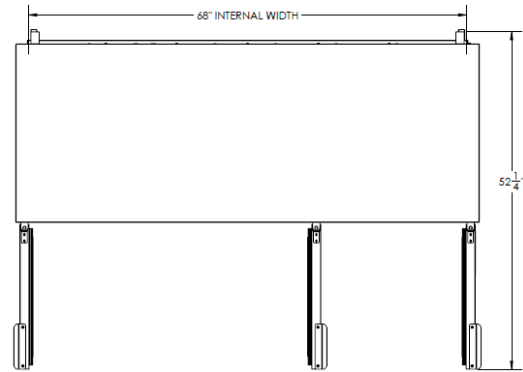
BEVERAGE-AIR

MODEL	UCR72AHC
EXTERNAL DIMENSIONAL DATA	
Width Overall	72"
Depth Overall	32"
Height Overall with 6" Casters	34 5/8"
Number of Doors	3
Depth with Door Open 90°	52 1/4"
Clear Door Opening (in)	19 1/2" x 21 1/5/8"
Shelf Area (sq. in)	(L/R) Upper 344 1/2" Lower 367 1/8" (CTR) Upper 302 3/4" Lower 302 3/4"
INTERNAL DIMENSIONAL DATA	
NET Capacity (cubic ft.)	17.88
Internal Width Overall (in)	68"
Internal Depth Overall (in)	15 3/8"
Internal Height Overall (in)	23"
Number of Shelves	6
ELECTRICAL DATA	
Full Load Amperes 115/60/1	3
REFRIGERATION DATA	
Horsepower	1/5
Capacity (BTU/Hr)*	1350
WEIGHT DATA	
Gross Weight (Created lbs)	336 lbs
Height - Crated	34"
Width - Crated	74"
Depth - Crated	32"

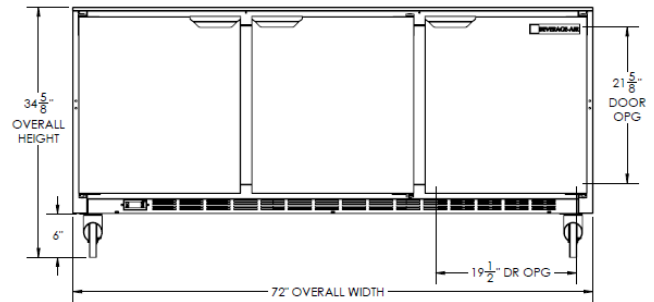
Undercounter Refrigerators

Models: UCR72AHC

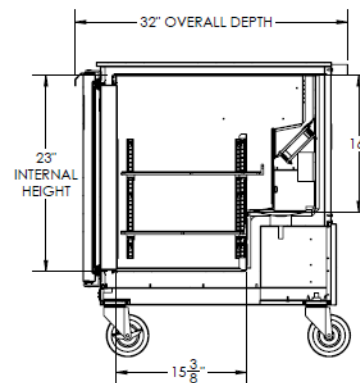
Model Views



Plan View



Elevation View



Side View

ELECTRICAL CONNECTION



115/60/1
NEMA-5-15P

Units pre-wired at factory and include 8' long cord and plug set.



an Ali Group Company



The Spirit of Excellence

3779 Champion Blvd., Winston-Salem, NC 27105
1-888-845-9800 Fax: 1-336-245-6453