



BEVERAGE-AIR

3779 Champion Blvd., Winston-Salem, NC 27105
1-888-845-9800 Fax# 1-336-245-6453
<http://www.Beverage-Air.com>

Item No. _____
Quantity _____

**VERSA-COOL
PORTABLE
WALK-IN COOLER**

**MODEL:
VCPW-1**

CUSTOMER'S CHOICE FOR A HOT LOCATION
Tested & Certified to Ambient Class of 100°F

3 Year Parts/Labor Warranty
Additional 2 Year Compressor Warranty

VERSA-COOL PORTABLE WALK-IN COOLER

Sets up in only 5 minutes and weighs only 300 lbs. Fits easily in the back of any pick-up truck and is 4' square by 30" high. The Versa-Cool comes with casters already installed so it's easy to move around. When set up, the Versa-Cool is 4' x 4' x 6'6" high and has 105 cubic feet of internal storage.

Diamond tread non-slip floor is standard and supports 1000 pounds.

REFRIGERATION

Refrigeration system uses R134a refrigerant, which is CFC and HCFC-free for compliance with environmental safety concerns. R-39 insulated cover maintains temperature of 36-40°F

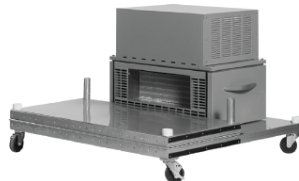
ELECTRICAL

Units are wired at factory and ready for connection to a 115/60/1 phase, 15 amp dedicated outlet. 8' long cord and plug set included.

1 UNLOAD COOLER, SET ON LEVEL GROUND.



2 UNFOLD FLOOR EXTENSION AND VERTICAL POLES IN CEILING, REMOVE THE PATENT R-39 INSULATED BAG AND UNFOLD.



3 COVER R-39 INSULATED BAG AND EXTEND VERTICAL SUPPORT POLES UNTIL THEY LOCK IN PLACE.



4 SEAL INSULATED BAG AROUND REFRIGERATION SYSTEM DISCHARGE OUTLET



VERSA-COOL
PORTABLE WALK IN COOLER



VCPW-1

Optional Accessories

- Dunnage Racks
- Breakdown shelving



Available From:

*Note: Not all markings may apply to all model variations.

Model Specified _____	Store# _____
Location _____	Quantity _____



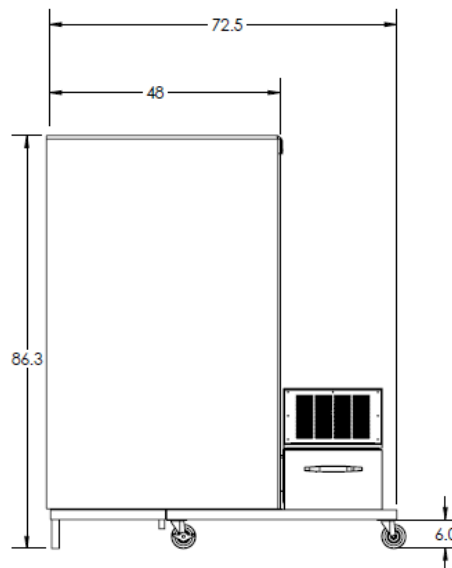
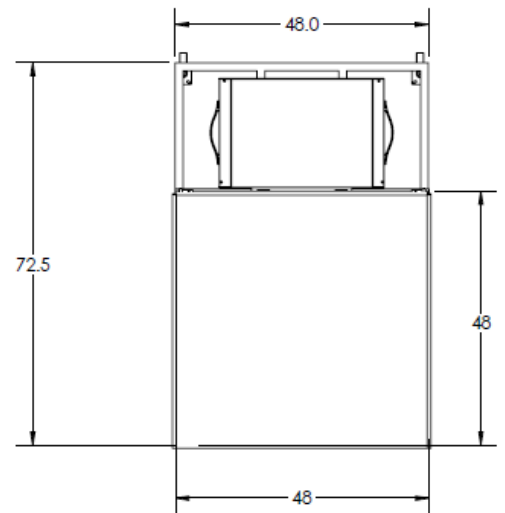
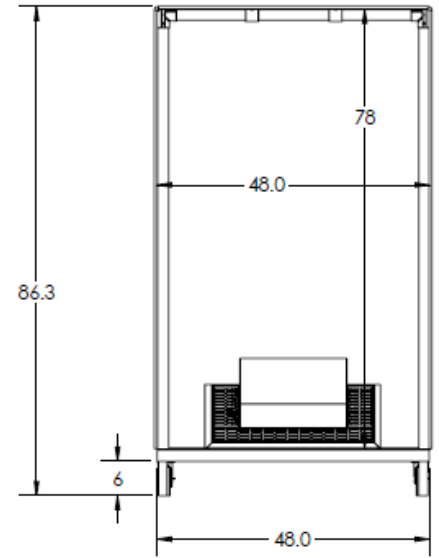
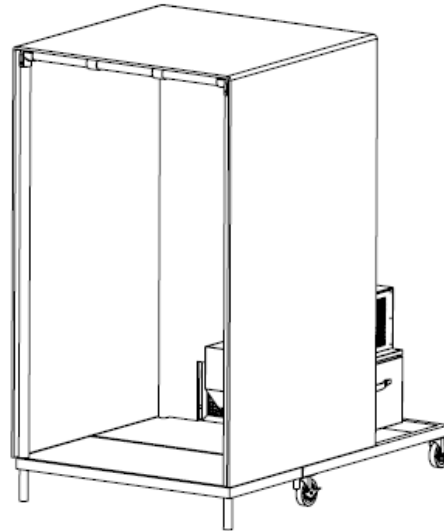
BEVERAGE-AIR

PLAN VIEWS

VERSA-COOL PORTABLE WALK-IN COOLER

Models: VCPW-1

MODEL	VCPW-1
EXTERNAL DIMENSIONAL DATA	
Length Overall (inches)	48"
Length Overall (mm)	1219
Depth Overall (inches)	72"
Depth Overall (mm)	1828
Height Overall— (inches)	79"
Height Overall—(mm)	2006
INTERNAL DIMENSIONAL DATA	
NET Capacity (cubic ft.)	105
NET Capacity (Liters)	2973
Internal Length Overall (inches)	50"
Internal Length Overall (mm)	1270
Internal Depth Overall (inches)	50"
Internal Depth Overall (mm)	1270
Internal Height Overall (inches)	77"
Internal Height Overall (mm)	1955
ELECTRICAL DATA	
Full Load Amperes 115/60/1	12
REFRIGERATION DATA	
Horsepower	1/2
WEIGHT DATA	
Gross Weight (Crated lbs)	300
Gross Weight (Crated kg)	136



*Note: Not all markings may apply to all model variations.

BEVERAGE-AIR® CORPORATION

3779 Champion Blvd. • Winston-Salem, NC 27105 USA • (336) 245-6400 • Fax (336) 245-6453 • (888) 845-9800 • www.beverage-air.com

Specifications are subject to change without prior notice. 5/14