



BEVERAGE-AIR

3779 Champion Blvd., Winston-Salem, NC 27105
1-888-845-9800 Fax# 1-336-245-6453
<http://www.Beverage-Air.com>

CUSTOMER'S CHOICE FOR A HOT KITCHEN
Tested & Certified to Ambient Class of 100°F

3 Year Parts/Labor Warranty
Additional 2 Year Compressor Warranty

WORKTOP COOK STAND FREEZER

Beverage-Air's cook stand refrigerators are designed to accommodate countertop cooking equipment and feature a full marine drip-guard to prevent spills from dripping over the edge. Working height of 26 11/16" on heavy-duty six-inch (6") casters.

CABINET CONSTRUCTION

Heavy-duty construction with stainless steel on top, front, sides, rear and drip guard top. Interior of cabinet is constructed of corrosion-resistant stainless steel. Drawers are equipped with heavy-duty workflow handle. Cabinet integrity is reinforced by use of structural columns. Cabinets are insulated with foamed-in-place polyurethane insulation of 2" thickness for added strength and maximum energy efficiency. Cabinet back and bottom are constructed of galvanized steel. Interior cabinet is made of corrosion resistant stainless steel.

Exterior solar digital thermometer with battery backup is standard.

DRAWER CONSTRUCTION

Drawer frames are constructed of heavy duty stainless steel and are supported on stainless steel telescoping drawer slides with three stainless steel roller bearing wheels for maximum support of stored food product. Drawers hold 3 full size pans. Heavy duty pan divider supports are supplied. Foodservice pans are not included. A snap in type vinyl magnetic gasket is attached to each drawer for positive seal. Beverage-Air provides standard lifetime warranty on drawers and slides on this series.

REFRIGERATION

Self-contained refrigeration system utilizes R404a refrigerant metered by expansion valve technology. Automatic (hot gas) condensate evaporation is provided. Interior forced air system, with high humidity evaporator coils, provide the ideal environment for food preservation. Removable front thermometer panel and grille allows for easy access to complete lift-out refrigeration system.

Item No. _____
Quantity _____

**WORKTOP COOK STAND
FREEZERS
2 DRAWER EQUIPMENT BASE
WTFCS60 SERIES**

**MODELS:
WTFCS60-1
WTFCS60-1-64**



WTFCS60-1

ELECTRICAL CONNECTION

Units pre-wired at factory and include 8' long cord and plug



*Note: Not all markings may apply to all model variations.

Available From:

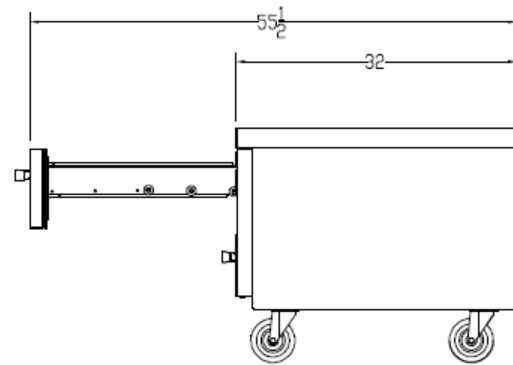
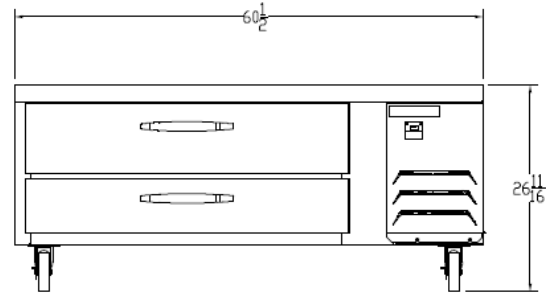
Model Specified _____	Store# _____
Location _____	Quantity _____



PLAN VIEWS

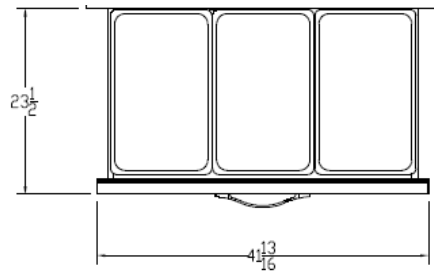
Worktop Freezer, Cook Stand Model Series Models: WTFCS60-1, WTFCS60-1-64

MODEL	WTFCS60-1	WTFCS-60-1-64
EXTERNAL DIMENSIONAL DATA		
Length Overall (inches)	60"	64"
Length Overall (mm)	1524	1625
Depth Overall (inches)	32"	32"
Depth Overall (mm)	813	813
Height Overall— (inches)	26 11/16"	26 11/16"
Height Overall— (mm)	677	677
Number of drawers	2	2
Depth with Drawer Open 90 °	55 1/2"	55 1/2"
Top Load Rating (lbs)	800	800
Top Load Rating (kg)	363	363
INTERNAL DIMENSIONAL DATA		
NET Capacity (cubic ft.)	14.5	14.5
NET Capacity (Liters)	410	410
ELECTRICAL DATA		
Full Load Amperes 115/60/1	11.1	11.1
ENERGY CONSUMPTION (KWH)		
	TBD	TBD
REFRIGERATION DATA		
Horsepower	1/2	1/2
WEIGHT DATA		
Gross Weight (Crated lbs)	475	482
Gross Weight (Crated kg)	215	218

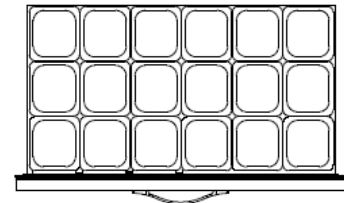


Note: Not all markings may apply to all model variations.

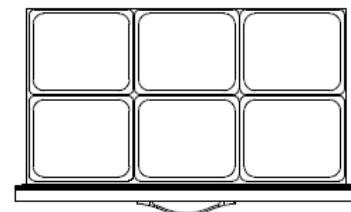
*N/A:: Not available at time of printing.



FULL PANS



SIXTH PANS



HALF PANS

BEVERAGE-AIR® CORPORATION

3779 Champion Blvd. • Winston-Salem, NC 27105 USA • (336) 245-6400 • Fax (336) 245-6453 • (888) 845-9800 • www.beverage-air.com

Specifications are subject to change without prior notice. 08/14