



BEVERAGE-AIR

Project: _____

AIA#

Item: _____

Location: _____

SIS#

Approved: _____

WTR WORKTOP REFRIGERATOR

WTR27AHC Solid Door

Hydrocarbon Series

MODELS:
WTR27AHC



WTR27AHC

3 Year Parts/Labor Warranty
Additional 2 Year Compressor Warranty

CABINET CONSTRUCTION

- Stainless steel front, sides, door(s), (*galvanized back & bottom*)
- Stainless steel top
- Interior liner is made of corrosion resistant aluminum
- Full electronic control
- Interior thermometer is standard
- Self-closing doors with 120° Stay-open feature, on cartridge style hinges
- Magnetic gasket attached to each door for positive seal
- Painted aluminum door handle
- 4" High removable backsplash
- 6" Casters, 2 with brakes standard
- Two epoxy-coated steel wire shelves standard
- Field-reversible doors

OPTIONS & ACCESSORIES

- Stainless steel back, grille
- Glass door
- Drawers
- Shelf divider
- 6" Legs
- 3" Casters
- Low profile casters
- Cutting board
- Foot pedal door opener

REFRIGERATION SYSTEM

- Refrigeration system uses R290 refrigerant to comply with all environmental concerns
- Automatic, non-electric evaporator
- System is serviceable from rear
- Epoxy coated evaporator coil

WTR27AHC 29" Depth Refrigerator: Food Prep Series



3779 Champion Blvd., Winston-Salem, NC 27105
1-888-845-9800 Fax: 1-336-245-6453
Beverage-Air.com sales@bevair.com



BEVERAGE-AIR

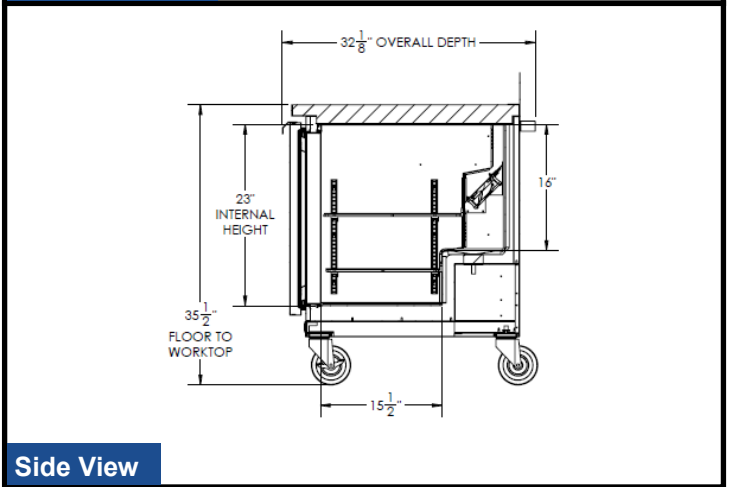
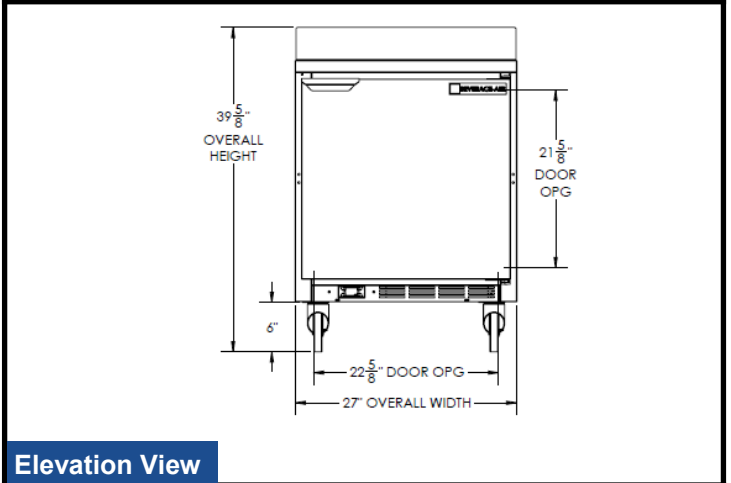
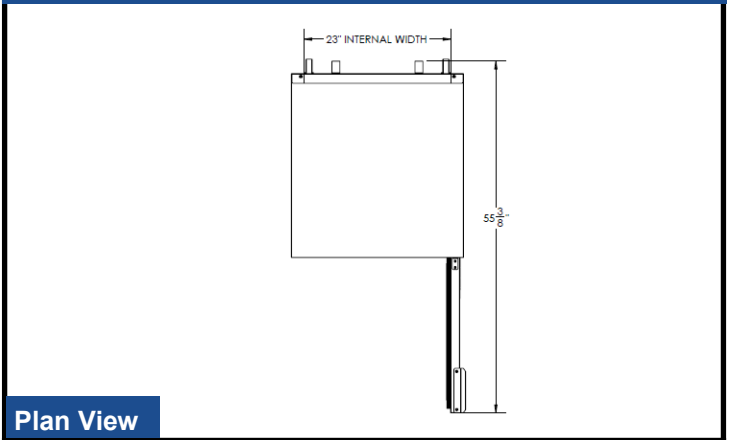
Worktop Refrigerator

Solid Door

Models: WTR27AHC

MODEL	WTR27AHC
EXTERNAL DIMENSIONAL DATA	
Width Overall	27"
Depth Overall with Handle & Bumper	32 1/8"
Height Overall with 6" Casters	39 5/8"
Number of Doors	1
Depth with Door Open 90 °	55 3/8"
Solid Door Opening (in)	22 5/8" x 21 5/8"
Shelf Area	Upper 389 3/8 Lower 322 5/8
INTERNAL DIMENSIONAL DATA	
NET Capacity (cubic ft.)	5.97
Internal Width Overall (in)	23"
Internal Depth Overall (in)	15 1/2"
Internal Height Overall (in)	23"
Number of Shelves	2
ELECTRICAL DATA	
Full Load Amperes 115/60/1	1.82
REFRIGERATION DATA	
Horsepower	1/6
Capacity (BTU/Hr)*	994
WEIGHT DATA	
Gross Weight	184 lbs
Height - Crated	35"
Width - Crated	30"
Depth - Crated	32"

Model Views



ELECTRICAL CONNECTION



115/60/1
NEMA-5-15P

Units pre-wired at factory and include 8' long cord and plug set.



an Ali Group Company



The Spirit of Excellence

3779 Champion Blvd., Winston-Salem, NC 27105
1-888-845-9800 Fax: 1-336-245-6453