

# Stainless Steel Utility Carts

## Heavy Duty - 700 Lb Capacity



Model 744

### Models

710, 711, 721, 722, 743, 744, 758, 759  
510, 511, 521, 522, 543, 544, 558, 559

### “U” Shaped Angled Frame Provides The Strength Needed For Heavy-duty Jobs

- 700 lb. (300 kg) capacity is ideal for continuous moving of heavy loads over various standard floor surfaces
- Rugged 18 gauge reinforced stainless steel shelves are stain and rust resistant. Electronically welded for added strength.
- Easy to clean and sanitize, simply wipe down or steam clean
- Leg and handle bumpers protect walls and furniture
- NSF listed models available

### Specifications

Unit shall be of fully welded stainless steel construction. Legs and frame shall be of U-frame design, eliminating the need for corner reinforcements. Leg/frame shall be .120 x 1" x 1" angle stainless steel. Shelves shall be of 18-gauge stainless steel and shall be welded to vertical leg frames. Shelves shall be double hemmed on all four edges for extra rigidity. Unit shall have two each 5" (127 mm) diameter extra-load swivel casters with 1-1/4" (32 mm) wide non-marking polyurethane wheels, and two each 8" diameter extra-load wheels mounted to a fixed axle. Swivel casters shall be plate type and shall be bolted to an 18-gauge 5" (127 mm) wide stainless steel cross member with a galvanized reinforcement. Unit shall have push handle made of 18 gauge 1" O.D. stainless steel tubing. Handle mounting brackets shall be welded to vertical leg frame. Unit shall have two each bumpers mounted to handle ends and two each 6" (152 mm) vertical bumpers riveted to front legs.

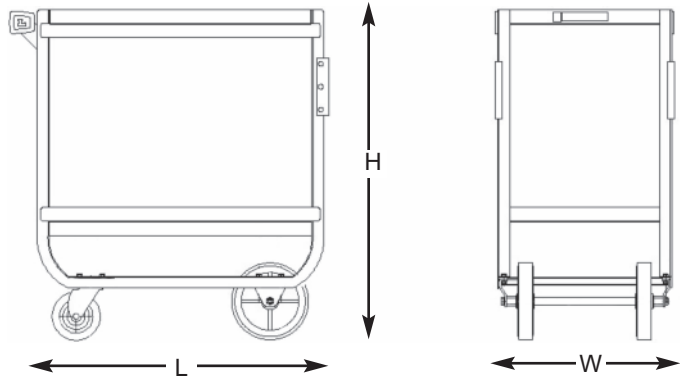
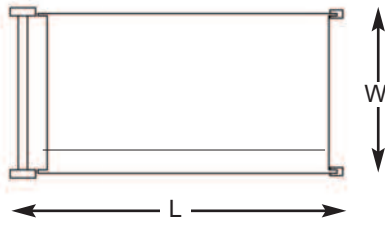
Lakeside Manufacturing, Inc.

4900 West Electric Avenue • West Milwaukee, WI 53219 U.S.A.  
800-558-8565 • 414-902-6400 • Fax 414-902-6446 • info@eLakeside.com • www.eLakesideFoodservice.com

# Stainless Steel Utility Carts

## Heavy Duty - 700 Lb Capacity

Top View



AutoCAD drawings available through KCL CADalog

### Model Information

Model	NSF Model	# of	Shelf Description		Overall Size			Case Weight	
			Size	Clearance	L	W	H	lbs.	(kg.)
710	510	2	15-1/2" x 24" (394 x 610)	19" (483)	30" (762)	16-1/4" (413)	34-1/4" (870)	49	(22.2)
711	511	3	15-1/2" x 24" (394 x 610)	10" (254)	30" (762)	16-1/4" (413)	34-1/4" (870)	57	(25.9)
721	521	2	18" x 27" (457 x 686)	19" (483)	32-5/8" (829)	19-3/8" (492)	34-1/2" (876)	53	(24)
722	522	3	18" x 27" (457 x 686)	10" (254)	32-5/8" (829)	19-3/8" (492)	34-1/2" (876)	63	(28.6)
743	543	2	21" x 33" (533 x 838)	21" (533)	38-5/8" (981)	22-3/8" (568)	37-1/8" (943)	64	(29)
744	544	3	21" x 33" (533 x 838)	11-3/8" (289)	38-5/8" (981)	22-3/8" (568)	37-1/8" (943)	78	(35.4)
758	558	2	21" x 49" (533 x 1245)	21" (533)	54-5/8" (1387)	22-3/8" (568)	37" (940)	87	(39.5)
759	559	3	21" x 49" (533 x 1245)	11-3/8" (289)	54-5/8" (1387)	22-3/8" (568)	37" (940)	108	(49)

Measurements in ( ) denote metric millimeters, unless otherwise specified.

#### Optional Accessories

- Extended perimeter bumper
- All 5" swivel casters
- Set of 2 ea. 5" brake casters



Lakeside Manufacturing, Inc.  
 4900 West Electric Avenue • West Milwaukee, WI 53219 U.S.A.  
 800-558-8565 • 414-902-6400 • Fax 414-902-6446  
 info@eLakeside.com • www.eLakesideFoodservice.com