

Compact Mart Cart

Mobile Kiosk - Stainless Steel

Model 660

Model 660



Front view with optional signage

Ideal for High Traffic Areas Where People Congregate

Benefits

- Provide grab & go meals and snacks
- On-board food and beverage variety choices reduces food waste, by letting diners choose only what they want.

Features

- Easy to clean stainless steel top and interior
- Pull-out center shelf is height-adjustable
- Height-adjustable slanted overshelf keeps condiments and other supplies at ready access
- Textured and solid color laminate exterior finishes available
- Ergonomic vertical push handles

Casters

- Non-marking cushion tread 5", all-swivel, two with brake

Specifications:

Shall be Lakeside Model #660 and shall include a stainless steel overshelf measuring 12¾" W x 41¼" L x 3¾" D (321 W x 1049 L x 95 D mm) as standard. Overshelf shall accept standard size insert pans, and shall be suspended on two each 7/8" (22 mm) diameter tubular stainless steel supports. Support height shall be adjustable, providing a 5" (127 mm) overshelf adjustable height range. Handles shall be vertical ergonomic design with vinyl grips measuring 8-1/2" H (216 mm). Interior compartment shall have a slide out, removable and adjustable stainless steel shelf with heavy duty drawer slides. Slide out shelf shall have a load capacity of 70 pounds. Top work surface shall be 26¼" W x 41¼" L (665 W x 1049 L mm). The cart interior shall be 20 gauge stainless steel and shall have a drain hole in the bottom to facilitate cleaning. The cart exterior sides shall be vertical grade laminate over stainless steel, with plastic corner edge molding. Cart shall have bottom perimeter bumper. Casters shall be 2 each swivel, 2 each fixed (2 each with brake), and shall have 5" (127 mm) non-marking wheels with rounded cushion tread non-marking wheels.

Spec. # _____

AIA # _____

Lakeside Manufacturing, Inc.

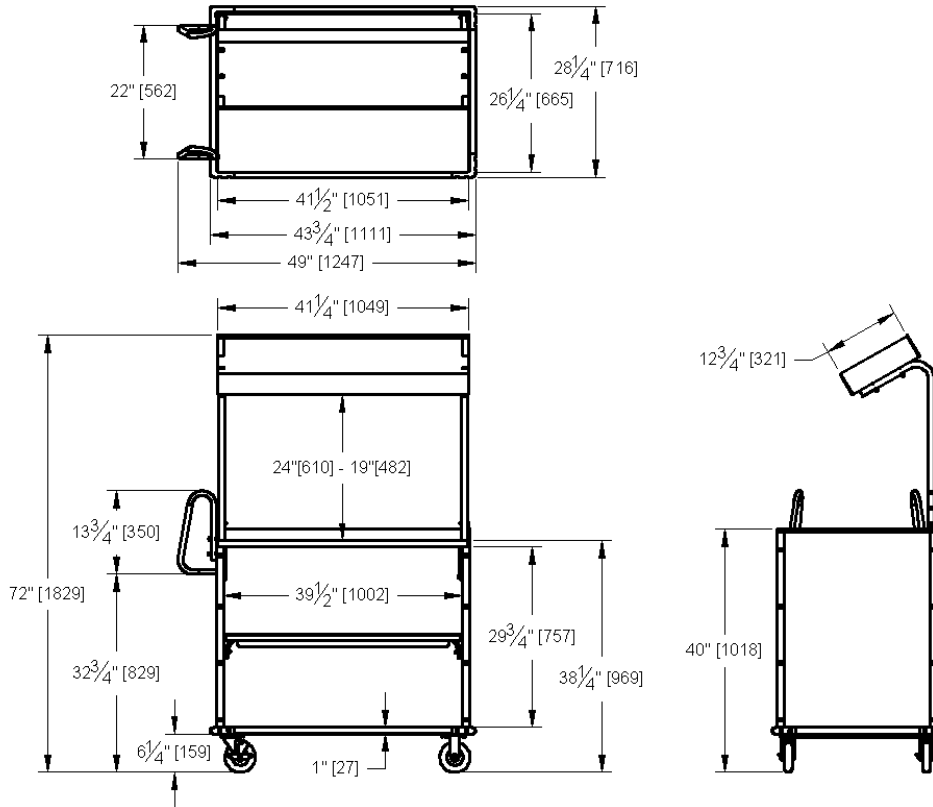
4900 West Electric Avenue • West Milwaukee, WI 53219 U.S.A.

800-558-8565 • 414-902-6400 • Fax 414-902-6446 • info@eLakeside.com • www.eLakesideFoodservice.com

Compact Mart Cart

Mobile Kiosk - Stainless Steel

Spec. #



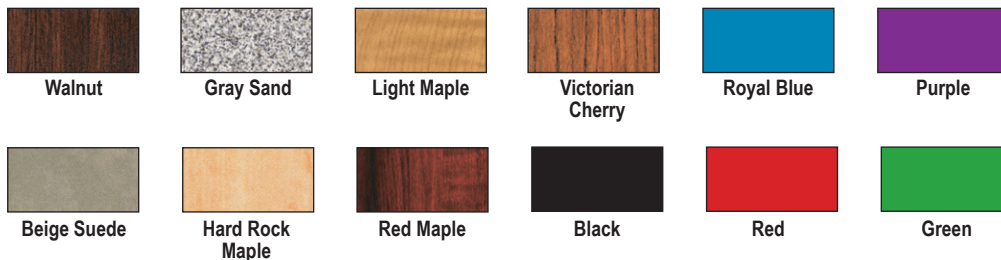
Product

Information: Overall dimensions: 28 1/4" W x 49" L x 72" H (692 W x 1245 L x 1829 H mm)
 Interior compartment: 39 1/2" W x 26" D x 30" H (1002 W x 660 D x 762 H mm)
 Height to countertop from floor: 38 1/4" (969 mm)
 Height from countertop to bottom of overshelf: 19" - 24" (482 - 610 mm)
 Pull Out Shelf: 38 1/2" W x 25" D (978 W x 635 D mm)
 Ship Weight: 229 lb. (103.9 kg)

Options:

- Cup dispenser
- Merchandising panels for front and overshelf
- Custom laminate finish exterior:

Available Finishes



Finishes:

- Walnut
- Red Maple
- Hard Rock Maple
- Purple
- Gray Sand
- Beige Suede
- Black
- Red
- Light Maple
- Victorian Cherry
- Royal Blue
- Green
- Other _____



Lakeside Manufacturing, Inc.
 4900 West Electric Avenue • West Milwaukee, WI 53219 U.S.A.
 800-558-8565 • 414-902-6400 • Fax 414-902-6446
 info@eLakeside.com • www.eLakesideFoodservice.com

AIA #