

# Ergo-One System Utility Carts

*Tough Transport*

## Features

- 1000 lb. (450 kg.) capacity.
- Shelf heights are in the safe loading and unloading zone.
- Top shelf height from the floor is 40" (1016), bottom shelf is 20" (508).
- Vertical handles make pushing a loaded cart safe and natural.
- Stainless steel shelves and frame joints feature continuous heliarc welding.
- Easy-to-clean and sanitize.



Model 7120



## Specifications

Unit shall be of fully welded stainless steel construction with an overall carrying capacity of 1000 pounds. Legs and frame shall be of U-frame design, eliminating the need for corner reinforcements. Leg/frame shall be .120 x 1" x 1" angle stainless steel. Shelves shall be of 14-gauge stainless steel and shall be continuously TIG welded to vertical leg frames. Shelves shall be reinforced front and back with 18-gauge angle welded to the shelf underside. Bottom shelf shall be positioned no closer than 20" from the floor surface, and top shelf shall be positioned no higher than 40" from the floor surface. Push handles shall be of ergonomic vertical design and shall feature 8" range grip height. Unit shall have two each 5" diameter extra-load swivel casters with 1-1/4" wide non-marking polyurethane wheels and two each 8" diameter extra-load wheels mounted to a fixed axle. Swivel casters shall be plate type and shall be bolted to an 18-gauge 5" wide stainless steel cross member with a galvanized reinforcement. Unit shall have two each 6" vertical bumpers riveted to front legs. Unit shall be NSF listed.

Lakeside Manufacturing, Inc.  
1977 South Allis Street • Milwaukee, WI 53207-1295 U.S.A.  
800-558-8565 • 414-481-3900 • Fax 414-481-9313 • www.eLakeside.com

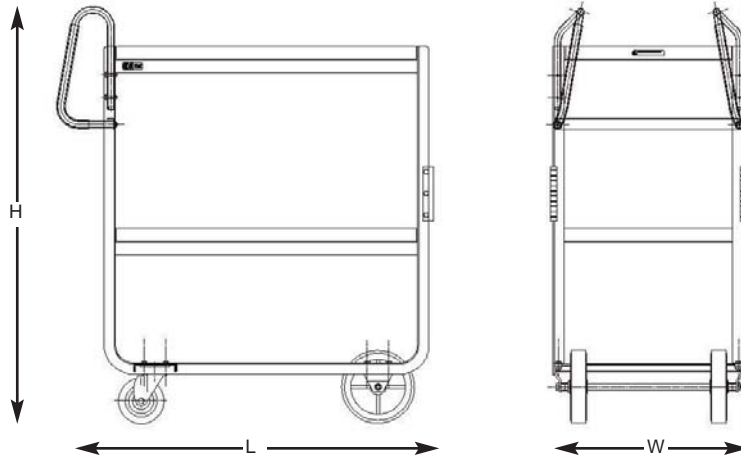


# Ergo-One System Utility Carts

## Tough Transport

### Optional Accessories

- Extended perimeter bumper
- Color coded handle grips and leg bumpers
- All 5" swivel casters
- Set of two each 5" brake casters
- Ground and polished joint welds



AutoCAD drawings available through KCL CADalog

### Dimensions

Model	Shelf Description			Overall Size			Case Weight		Case Cube	
	# of	Size	Clearance	W	L	H*	lb.	(kg.)	ft. <sup>3</sup>	(m <sup>3</sup> )
7120	2	21" x 33" (533 x 838)	18-1/2" (470)	21-5/8" (549)	41-3/8" (1051)	46-3/4" (1187)	88	(39.9)	19	(.53)
7130	2	21" x 49" (533 x 1245)	18-1/2" (470)	21-5/8" (549)	57-7/16" (1459)	46-3/4" (1187)	123	(55.8)	33.7	(.95)
7140	2	24" x 42" (610 x 1067)	18-1/2" (470)	24-5/8" (625)	50-7/16" (1281)	46-3/4" (1187)	126	(57.2)	32.8	(.93)

Measurements in ( ) denote metric millimeters, unless otherwise specified.  
 \*Includes height of ergonomic handles. Handle assembly required.  
 Top shelf height from floor is 40" (1016).

AIA #

Spec. #



Lakeside Manufacturing, Inc.

1977 South Allis Street • Milwaukee, WI 53207-1295 U.S.A.  
 800-558-8565 • 414-481-3900 • Fax 414-481-9313 • www.eLakeside.com