

J 100 Ultra



D

Juice extraction rate 160 L/hour

A glass of ultra-fresh juice in just 7 seconds

A

SALES FEATURES

With the J 100 Ultra, you can juice all types of fruit and vegetables in a matter of seconds. Equipped with a continuous-flow ejection chute for even greater user convenience.

B

TECHNICAL FEATURES

J 100 Ultra juicer – 120V/60/1. Power: 1.3 HP. Constant speed: 3450 rpm. Magnetic safety device and motor brake. Stainless-steel bowl and motor unit. Equipped with a large patented automatic feed tube (3"). Stainless-steel juicer basket, grating disc and filter. Extraction rate: 160 L/hour, equivalent to one glass of fresh juice every 7 s. Supplied with both an ejection chute (strap supplied), designed to send a continuous flow of pulp directly into a bin under the worktop, and a 7 L, large-capacity pulp container, plus a drip tray and a special no-splash spout.

C

TECHNICAL DATA

Power	1.3 HP
Electrical datas	Single phase - 120V/60/1
Constant speed	3450 rpm
Dimensions (LxWxH)	21" x 9 1/4" x 23 1/2"
Gross weight	35 lbs
Reference	J 100A Ultra - 120V/60/1

E

PRODUCT FEATURES / BENEFITS

MOTOR BASE

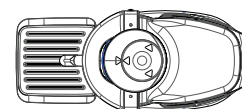
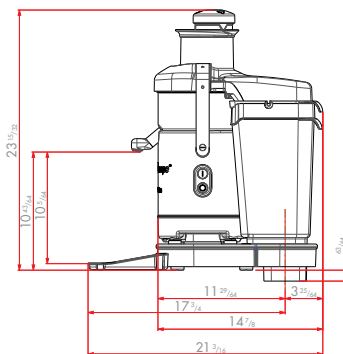
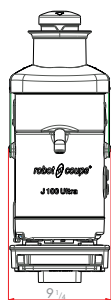
- Induction direct drive motor for intensive use.
- Very powerful, heavy-duty motor so quiet it can be used right in front of the customer.
- Power: 1.3 HP
- Stainless-steel bowl and motor unit.
- Magnetic safety device and motor brake.
- Constant speed: 3450 rpm.

JUICER FUNCTION

- All-metal juicer boasting our Auto Feed system (Ø 3" = whole apple) for continuous throughput.
- Stainless-steel juicer basket, grating disc and filter for easy cleaning and aftercare.
- No-splash spout.
- High clearance (10 5/64), allowing a jug or cocktail glass to be placed underneath the spout.
- Two ways of using your juicer:
 - an ejection chute sends a continuous flow of pulp directly into a bin under the worktop.
 - pulp goes into a 7 L, large-capacity container with translucent sides.

STANDARDS

ETL electrical and sanitation Listed/ cETL (Canada)



Hole to be cut in worktop: Ø 100 mm (3 15/16")