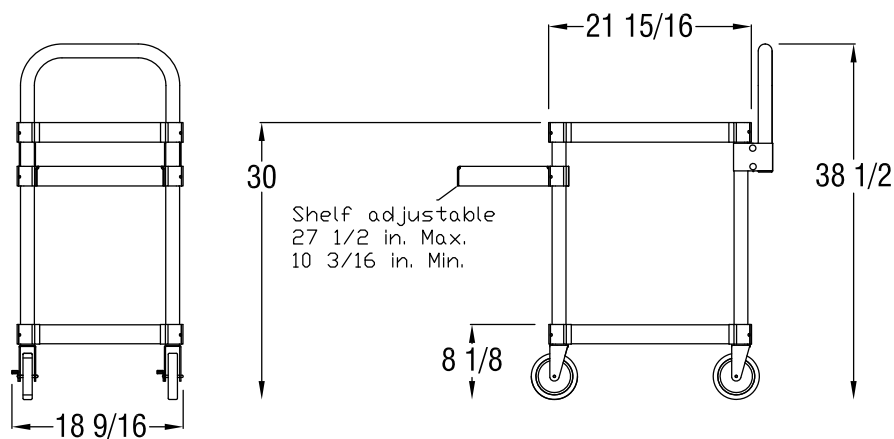
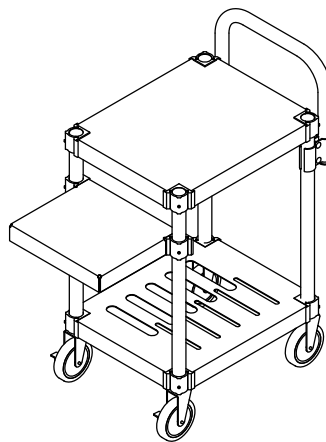
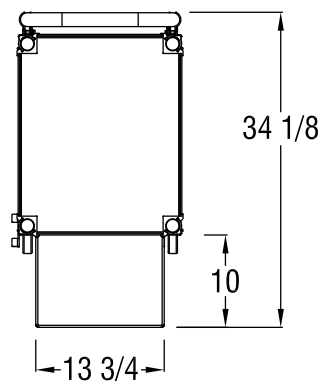




- Heavy Duty Aluminum.
- Adjustable Handle and Shelving.
- 5 inch Heavy Duty Swivel Casters (200 lb capacity).
- Stainless Steel insert shelving with 10 slots for cutting discs storage.
- Aluminum Cantilever Shelf that adjusts from 10 3/16" to 27 1.2" high.
- 5/32 Allen Wrench included for assembly/disassembly.
- Unit measures 18 9/16" wide x 34 1/8" deep.



Robot Coupe U.S.A., Inc.
P.O. Box 16625
Jackson, MS 39236-6625
1-800-824-1646 • (601) 898-8411
FAX: (601) 898-9134
www.robotcoupeusa.com
• e-mail: info@robotcoupeusa.com