

ONLY FROM

nemco[®] | FOOD
EQUIPMENT

Easy Chopper™

The fast, easy way to chop fresh vegetables!



Buy once. Buy the original.
Always look for this mark of quality





Your Veggies Won't Know What Hit 'Em

Fast, clean, beautiful chopping has never been so effortless. The original Easy Chopper™ makes quick work of onions, tomatoes, potatoes, celery, peppers and a whole host of other vegetables, so you can just get to cookin'.

Easy to Use

Light and portable, but tough and stable, the Easy Chopper sets up for business virtually anywhere you need it to be on the counter. And the ergonomic handle is weighted to maximize downward force, taking the labor out of the process, so it's easier on the operator.

Four super-sharp cutting grids—1/4", 3/8", 1/2" and 1"—are available as interchangeable blade assemblies that can switch in and out in a snap.

Easy to Maintain

Smart and efficient in its simple design, the Easy Chopper disassembles easily for cleaning. And the National Sanitation Foundation (NSF) listing ensures that it's manufactured in compliance with sanitation standards.

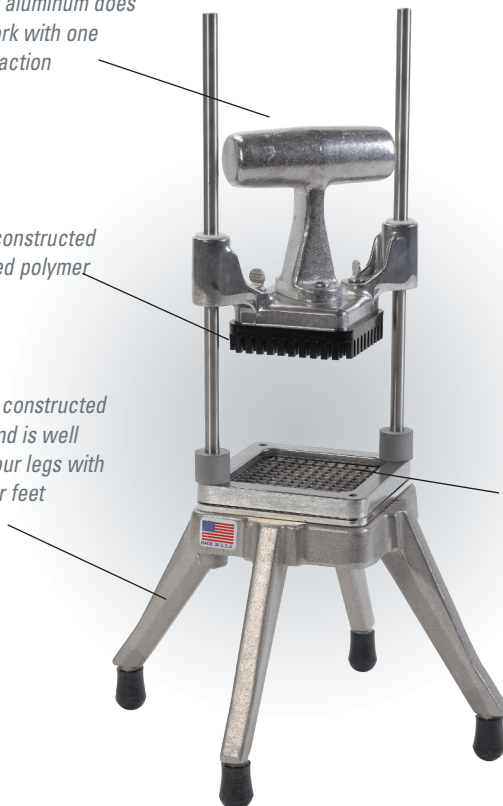
Built to Last

Like all Nemco products, the Easy Chopper is designed, engineered and built to provide years of reliable service. Its stainless steel and aluminum-cast construction holds up to the meanest day-in, day-out use.

The fast, efficient way to chop—comfortable, weighted handle constructed of aluminum does most of the work with one stroke cutting action

Push block is constructed from engineered polymer

Sturdy base is constructed of aluminum and is well balanced on four legs with non-slip rubber feet



Precision cuts! 300-series stainless-steel blades stay sharp to cut cleanly with one stroke



Suggested Uses

Use for fast, easy chopping, cutting and dicing of onions, tomatoes, potatoes, celery, peppers and other firm vegetables. Great for wedging citrus and other fruits using the wedger kit.

General Specifications

Model	Description
55500-1	1/4" Cut Easy Chopper
55500-2	3/8" Cut Easy Chopper
55500-3	1/2" Cut Easy Chopper
55500-4	1" Cut Easy Chopper

Optional Accessories

55727-4	4-Section Wedger Kit
55727-6	6-Section Wedger Kit
55727-8	8-Section Wedger Kit
55424-1	1/4" Cut Blade Assembly
55424-2	3/8" Cut Blade Assembly
55424-3	1/2" Cut Blade Assembly
55424-4	1" Cut Blade Assembly

Dimensions

Equipment (w x d x h)	8" x 8" x 19"
Shipping Carton (l x w x h)	9 1/2" x 9 1/2" x 20 1/2"
Equipment Weight	6 lbs
Shipping Weight	8 lbs

Replacement parts are available through Nemco's 24-hour Zip Program.

Nemco reserves the right to make design, specification or model changes without notice.



nemco® | FOOD EQUIPMENT

Physical Address: Corporate HQ
301 Meuse Argonne | Hicksville, OH 43526
800.782.6761 • 419.542.7751 • f: 419.542.6690

Mailing Address:
PO Box 305 | Hicksville, OH 43526

Nemco West Distribution Center/Test Kitchen
4300 E Magnolia Street | Phoenix, AZ 85034

NemcoFoodEquip.com



Printed 10/18. Printed in the USA.