

Project

Date

Models

CS-2E-16**CS-2E-16-S****CS-2E-22,****CS-2E-22-S****CS-2E-10****CS-2E-10-S**

Item #

Quantity



model CS-2E-16-S

FEATURES

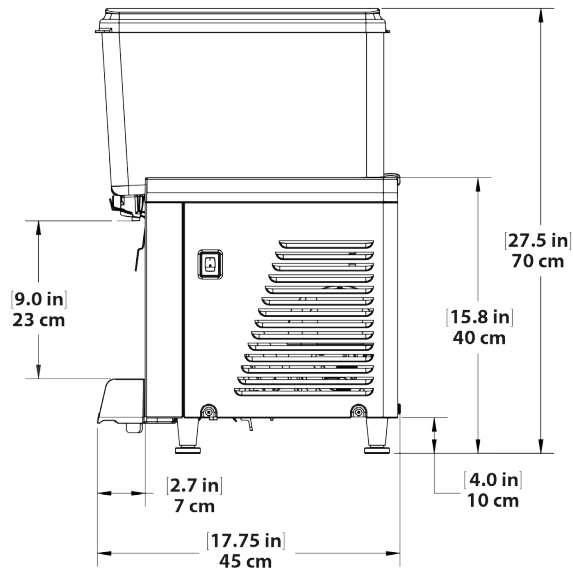
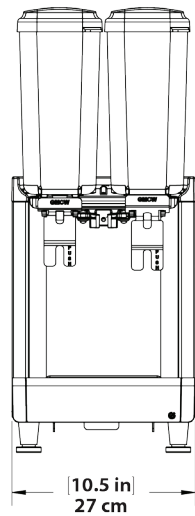
- Premix dispenser with stainless steel base and clear plastic, easy-clean bowls.
- Mini Twin dispenses 2 flavors in (2) 2.4 gallon (9 L) bowls.
- Spray or Agitation model available.
- Agitation function for fresh juices, coffees, or teas with minimal foaming system.
- Spray function attracts more customers with dynamic moving product.
- Unique to Simplicity, the air intakes from the bottom and exhausts to back. This efficient cooling uses less energy and saves money.
- New easy-off bowl release system for faster and easier assembly and disassembly. No more reaching into the bowl makes cleaning easier and reduces labor.
- Compact size of 10.5" (27 cm) wide saves valuable counter space.
- 9" (22.9 cm) cup clearance for a variety of drinks.
- User-friendly design enables machine to dispense product till the very last drop.
- Fewer removable parts to simplify cleaning and reduce maintenance.
- Temperature range from 35 - 41° F (1.7 - 5° C).





SIMPLICITY™ BUBBLER® MINI TWIN

model CS-2E
represented



MODELS & SPECIFICATIONS

Model	Description	Electrical	Product Dimensions (H x W x D)
CS-2E-16* Base: (231-00001) Bowl: (231-00539)	(2) 2.4 gallon (9 L) bowls Agitator model	120V / 60Hz / 3.6A	27.5" x 10.5" x 17.75" (70 cm x 27 cm x 45 cm)
CS-2E-16-S* Base: (231-00197) Bowl: (231-00540)	(2) 2.4 gallon (9 L) bowls Spray model	120V / 60Hz / 3.6A	27.5" x 10.5" x 17.75" (70 cm x 27 cm x 45 cm)
CS-2E-10 Base: (231-00206) Bowl: (231-00539)	(2) 2.4 gallon (9 L) bowls Agitator model	100V / 50/60 Hz / 3.6A	27.5" x 10.5" x 17.75" (70 cm x 27 cm x 45 cm)
CS-2E-10-S Base: (231-00262) Bowl: (231-00540)	(2) 2.4 gallon (9 L) bowls Spray model	100V / 50/60 Hz / 3.6A	27.5" x 10.5" x 17.75" (70 cm x 27 cm x 45 cm)
CS-2E-22 Base: (231-00000) Bowl: (231-00539)	(2) 2.4 gallon (9 L) bowls Agitator model	230V / 50/60 Hz / 1.5 A	27.5" x 10.5" x 17.75" (70 cm x 27 cm x 45 cm)
CS-2E-22-S Base: (231-00196) Bowl: (231-00540)	(2) 2.4 gallon (9 L) bowls Spray model	230V / 50/60 Hz / 1.5 A	27.5" x 10.5" x 17.75" (70 cm x 27 cm x 45 cm)

Ship Dimensions (H x W x D): Base: 20.8" x 15" x 18.9"
(53 cm x 38 cm x 48 cm) Bowl: 17.3" x 11.8" x 18.9"
(44 cm x 30 cm x 48 cm)

Ship Weight (in two boxes): Total: 66 lbs. (30 kg)
Base: 53 lbs. (24 kg) Bowl: 13 lbs. (6kg)

***Electrical:** NEMA 5-15P line cord included.

Refrigeration: 1/10 hp.

Note: Product Dimension Height includes 4" (10 cm) legs.

OPTIONS

Condenser Filter (210-00118) - Protect your condenser with a removable, easy-to-clean filter

Merchandiser Kit (231-00227) - Attract more customers to unit with extra graphics

BPA-Free Bowl (231-00009T) - Dishwasher safe 2.4 gal. (9 L) bowl

BPA-Free Lid (210-00125T) - Dishwasher safe lid for 2.4 gal. (9 L) bowl

BPA-Free Pump Cover (210-00128T) - Dishwasher safe, 6.5" (16.5 cm) long

Liquid Autofill Control Box (2001-000) - Not for use with RO water systems