

CLASSIC BUBBLERS™ SINGLE BOWL

Project	Date	Models	Item#	Quantity
---------	------	--------	-------	----------

D15-3, D15-4, D155-3, D155-4,
D156-3, D156-4



model D15-3

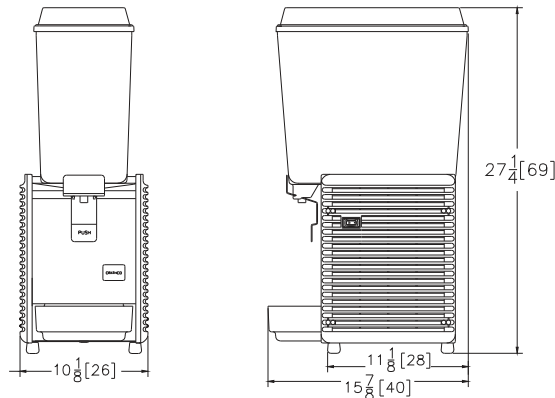
Features

- Pre-mix dispenser with large 5 gallon (18.9 L) bowl with easy to read measuring marks.
- Two-piece, stainless steel, dripless pouring valve is sanitary and easy to use and maintain.
- Better design and more stainless steel allow easier cleaning and less maintenance.
- Unique evaporator and high efficiency pump cools faster and more efficiently for quick start-up.
- Superior engineering allows full beverage cooling right down to the last drink.
- 1/6 hp refrigeration.
- Super-strong, virtually unbreakable polycarbonate bowls and covers give lasting durability.
- Agitators are included with each unit for fresh juices, coffees, or teas.
- Cup height 8.25" (20.5 cm).

Models & Dimensions



Classic Bubblers™ Single Bowl



model D15 represented
measurements in inches [cm]

Specifications

Model	Description	Electrical	Product Dimensions (H x W X D)	Ship Dimensions (H x W X D)	Ship Weight
D15-3 Base: (5619) Bowl: (5111)	Stainless steel side panels and drip tray UL, NSF, CUL Certification	120V / 340W / 3A 1 Ph	27.25" x 10 1/8" x 15 7/8" (69 cm x 26 cm x 40 cm)	Base: 15.5" x 13.5" x 13.5" (39 cm x 34 cm x 34 cm) Bowl: 8.5" x 14" x 15.5" (22 cm x 36 cm x 39 cm)	Total: 46 lbs (20.4 kg) Base: 37 lbs (16.8 kg) Bowl: 9 lbs (4.1 kg)
D15-4 Base: (5620) Bowl: (5121)	Plastic side panels and drip tray UL, NSF, CUL Certification	120V / 340W / 3A 1 Ph	27.25" x 10 1/8" x 15 7/8" (69 cm x 26 cm x 40 cm)	Base: 15.5" x 13.5" x 13.5" (39 cm x 34 cm x 34 cm) Bowl: 8.5" x 14" x 15.5" (22 cm x 36 cm x 39 cm)	Total: 46 lbs (20.4 kg) Base: 37 lbs (16.8 kg) Bowl: 9 lbs (4.1 kg)
D155*	NSF, CE Certification	230V / 50Hz / 2A	27.25" x 10 1/8" x 15 7/8" (69 cm x 26 cm x 40 cm)	Base: 15.5" x 13.5" x 13.5" (39 cm x 34 cm x 34 cm) Bowl: 8.5" x 14" x 15.5" (22 cm x 36 cm x 39 cm)	Total: 46 lbs (20.4 kg) Base: 37 lbs (16.8 kg) Bowl: 9 lbs (4.1 kg)
D156**	NSF, CE Certification	230V / 60Hz / 2A	27.25" x 10 1/8" x 15 7/8" (69 cm x 26 cm x 40 cm)	Base: 15.5" x 13.5" x 13.5" (39 cm x 34 cm x 34 cm) Bowl: 8.5" x 14" x 15.5" (22 cm x 36 cm x 39 cm)	Total: 46 lbs (20.4 kg) Base: 37 lbs (16.8 kg) Bowl: 9 lbs (4.1 kg)

* (D155-3) = Stainless steel side panels and drip tray (D155-4) = Plastic side panels and drip tray
 ** (D156-3) = Stainless steel side panels and drip tray (D156-4) = Plastic side panels and drip tray
 Refrigerant: 134A

Options

Valve Cap (2039) - Improves sealing of valve when using pulpy product

Valve Locking Box (2502) - Secures the valve from dispensing during off-hours - not to be used with non-contact handle

Liquid Auto Fill (90295) - Ensures proper product and mixing consistency, eliminates need for frequent manual mixing

Shipboard Kit (5925) - Makes unit safer for installation aboard marine vessel; only available for use with agitator

Milk Fat Impellers (1161M Lg Blue or 1008M Sm Red) - Use with milk-based products, and/or products with heavy pulp

Condensation Cover (3657) - Direct and conceal condensation in high humidity or outdoor locations

Security Kit (2509) - Use with D15 models



GMCW™ 4003 Collins Lane, Louisville, KY 40245 USA

Tel: +1.502.425.4776 / 800.695.4500 (USA & Canada only) • Fax: +1.502.425.4664 • www.gmcw.com • Email: info@gmcw.com