

"FE" Series Automatic Coffee Urns

With today's demand for a cup of quality coffee, you need a **Fast . . . Efficient and Dependable** urn that can keep up with high volume customers. Both the "FE" and "CL" Automatic Coffee Urns extract the rich flavor of each coffee grind, bring out its full taste and aroma.



- ✓ **Adjustable By-Pass System** - Gives an operator the ability to adjust the strength of the coffee to bring out its natural robust and full body taste.
- ✓ **Automatic Refill** - Automatically replenishes the Urn jacket with fresh water as soon as it starts running low giving you piping hot water on demand.
- ✓ **Automatic Agitation (FE series only)** - At the end of each brew cycle, all FE urns automatically blend the coffee. Thereafter, just "Push the Button and Walk Away" the FE series agitates the coffee automatically.
- ✓ **Cycle Stop Switch** - Conveniently located on the front panel, the Stop Cycle Switch gives the operator the ability to stop the brew cycle midstream. It's also ideal for cleaning purposes.
- ✓ **Accurate Temperature Control** - Keeps coffee hot all the time.
- ✓ **Thermometer** - located on the front for the Urn, the thermometer indicates when the water is at optimum temperature for brewing coffee 197° - 204°.
- ✓ **Over Flow Tube** - In the event the water shut off valve malfunctions, the Over Flow tube dispenses the excess water.
- ✓ **FE-200 - Two Brew Buttons** - For high and low volume periods, this feature allows you to brew either 1 or 2 lbs. of coffee at a time by the push of the 1 or 2 lb. brew button.
- ✓ **FE-75 and FE-100** - Brews in 1 pound batches
- ✓ **FE-300** - Brews in 3 pound batches
- ✓ **Durable Stainless Steel Finish**
- ✓ **Tomlinson Faucets - standard**

Model #	Description	Cups / Hr. Gal / Hr.	Electric	Dimensions			Ship Weight		
				Electric	Steam	Depth		Width	Height
FE-75	3 gal. Single	$\frac{432}{18}$	7KW at 120/240-29 Amps 5.3 KW at 120/208-26 Amps AC 60HZ single Phase - 3 wire	✓		17 1/2"	21 1/2"	28 1/2"	75 lbs.
					✓	17 1/2"	21 1/2"	31"	80 lbs.
FE-100* (Gas Avail.)	3 gal. Twin See below)	$\frac{600}{25}$	8 KW at 120/240-33 amps 6 KW at 120/208-29 amps AC 60HZ single phase - 3 wire	✓		17 1/2"	33 1/2"	28 1/2"	100 lbs.
					✓	19 1/2"	37 1/2"	31"	125 lbs.
FE-200	6 gal. Twin	$\frac{720}{60}$	10 KW at 120/240-42 amps 7.5 KW at 120/208-36 amps AC 60 HZ single phase - 3 wire	✓	✓	19 1/2"	37 1/2"	33"	130 lbs.
FE-300	10 gal. Twin	$\frac{1080}{45}$	15 KW at 120/240 35 amps 11.5 KW at 120/208 30 amps AC 60 HZ 3 phase - 4 wire	✓	✓	21 1/2"	42"	35"	170 lbs.

Plumbing: .1/4" water line required

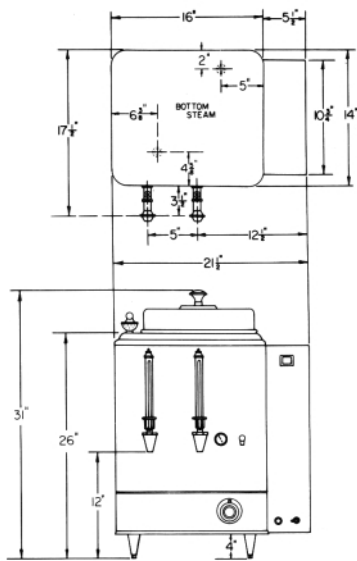
All urns are available with Steam: 15-30 PSI, 120V - 3 amps.

* FE-100G - Available in Natural or L.P. Gas, 32,000 BTU, 120V 3 Amps, Dimensions same as FE100 Steam

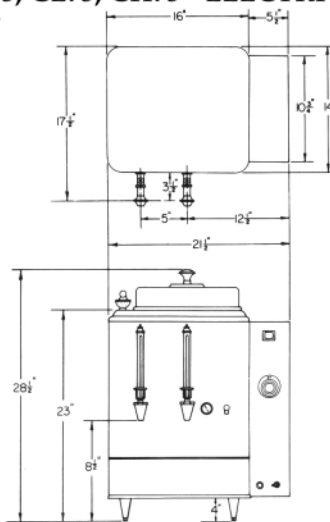
Special Voltage: 220V, 380V, 440V - Consult factory for details

Diagrams

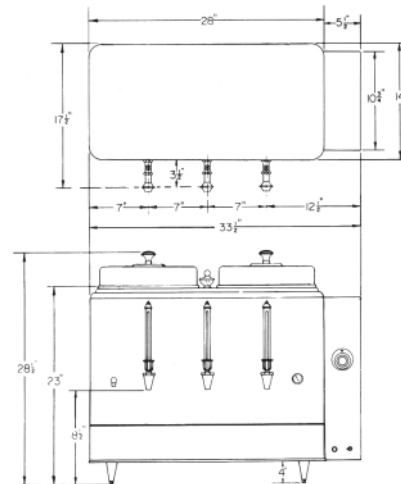
FE-75 STEAM



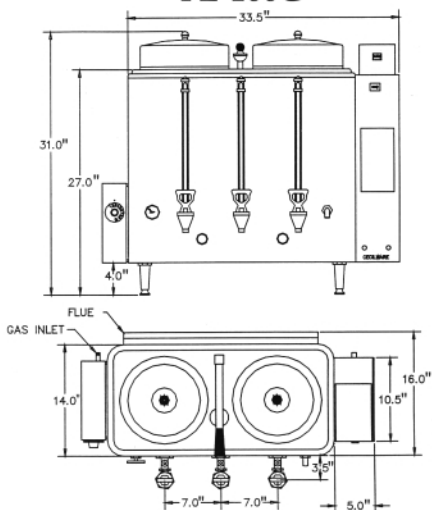
FE75, CL75, CH75 - ELECTRIC



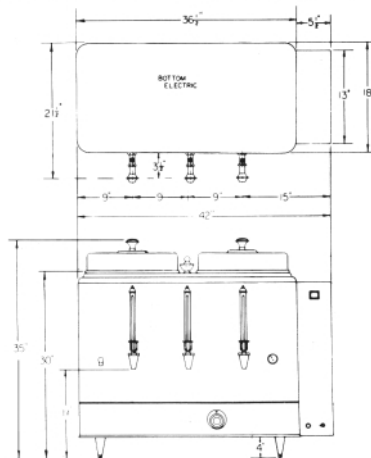
FE-100, CL-100, CH-100



FE-100G



FE-300 ELECTRIC AND STEAM



FE-200, CL-200, CH-200

