



KOBALTO

by  **NECTA**
A company of N&W Global Vending

Item#

Project

Date

Models:

Super Automatic Espresso Brewer

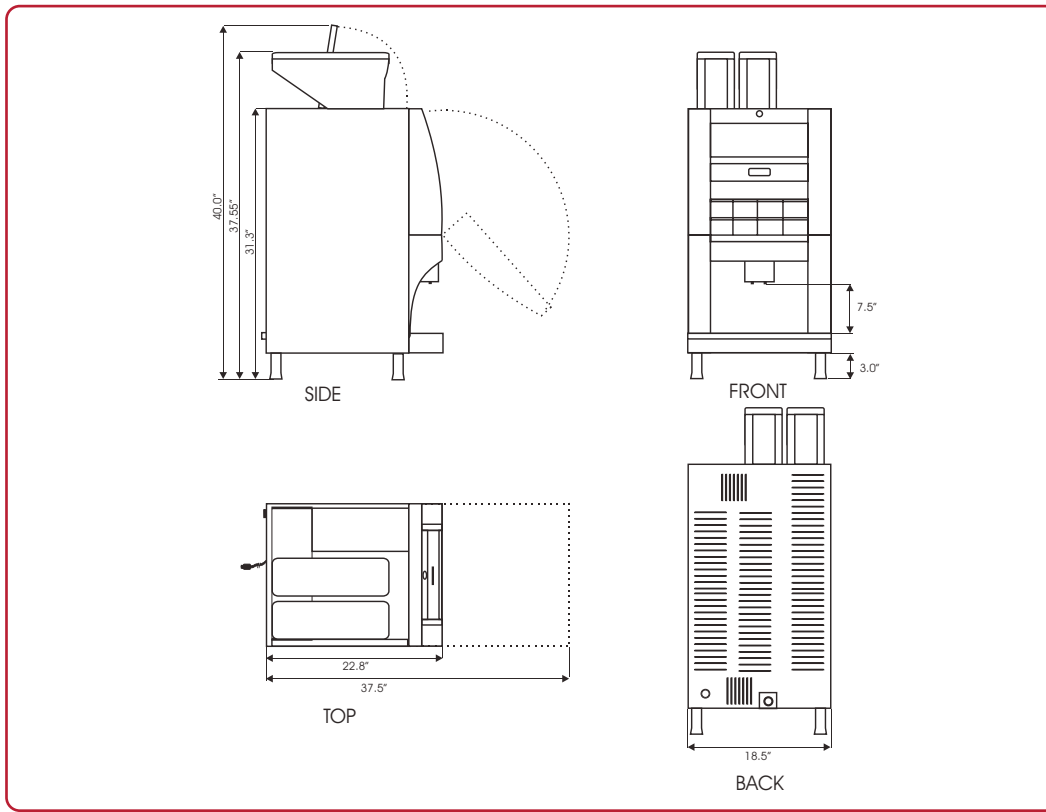


Features

- The Kobalto produces café-quality espresso-based beverages using fresh whole bean coffee. It precisely tamps, pre-infuses, and extracts coffee all without the need for a trained barista.
- The Kobalto allows the user to create a wide variety of specialty beverages including cappuccino, lattes, mochas, and more. Choose the configuration that best suits your location:
 - Kobalto 1/3: one coffee hopper and three soluble hoppers
 - Kobalto 2/2 FM: two coffee hoppers, two soluble hoppers, and fresh milk
- Between 8 and 16 selections can be easily customized using a wide range of ingredients: coffee beans, soluble coffee, fresh or powdered milk, chocolate, tea, etc.
- Automatic coffee and soluble dosing result in a consistent beverage taste profile.
- Optional use of fresh milk creates an even more authentic café-quality beverage (Kobalto 2/2 FM only).
- Produce up to 45 (20 oz.) drinks per hour or 120 espresso shots. Ideal for high-volume locations.
- Flashing LED indicator lights and an easy-to-read LCD display guide the user through beverage selection and indicate the progress of the beverage preparation.
- The Kobalto can be used in self-service mode or easily operated by any store staff member.
No barista training required!

Models & Dimensions

Kobalto Super-Automatic Espresso Brewer



Specifications

Model	Description	Dispense Capacity	Dispense Volumes	Number of Boilers	Dimensions (H x W x D)	Ship Dimensions (H x W x D)	Electrical	Ship Weight
Kobalto 1/3 (66102)	Super-automatic espresso brewer that utilizes (1) coffee bean hopper and (3) soluble hoppers to create a variety of café quality specialty beverages.	45 (20 oz) drinks or 120 espresso shots	8 oz, 12 oz, 16 oz, or 20 oz	2	37.5" x 18.5" x 22.75" (95 cm x 47 cm x 58 cm)	42" x 30" x 22.5" (107 cm x 76 cm x 57 cm)	120V/240V / 20A / 1Ph	205 lbs. (93 kg)
Kobalto 2/2 FM (66103)	Super-automatic espresso brewer that utilizes (2) coffee bean hoppers, (2) soluble hoppers, and fresh milk to create a variety of café quality specialty beverages.	45 (16 oz) drinks or 120 espresso shots	8 oz, 12 oz, or 16 oz	2	37.5" x 18.5" x 22.75" (95 cm x 47 cm x 58 cm)	42" x 30" x 22.5" (107 cm x 76 cm x 57 cm)	120V/240V / 20A / 1Ph	205 lbs. (93 kg)

Plumbing: 3/4" Female Garden Hose fitting to attach to water supply @ 10 to 100 psi

Available Accessories: Base Cabinet, Expanded Waste Capacity, Payment System Compatible, Cup Warmer, Minifridge (Kobalto 2/2 FM only). Contact GMCW™ for pricing and additional information.

Contact GMCW™ for more information. Specifications subject to improvement or change without notice.

