

NHT FRIGOGRANITA® DISPENSERS

Project	Date	Models	Item#	Quantity
		NHT2UL, NHT2ULBL, NHV2UL-AF, NHT3UL, NHT3ULBL		



model NHT2UL



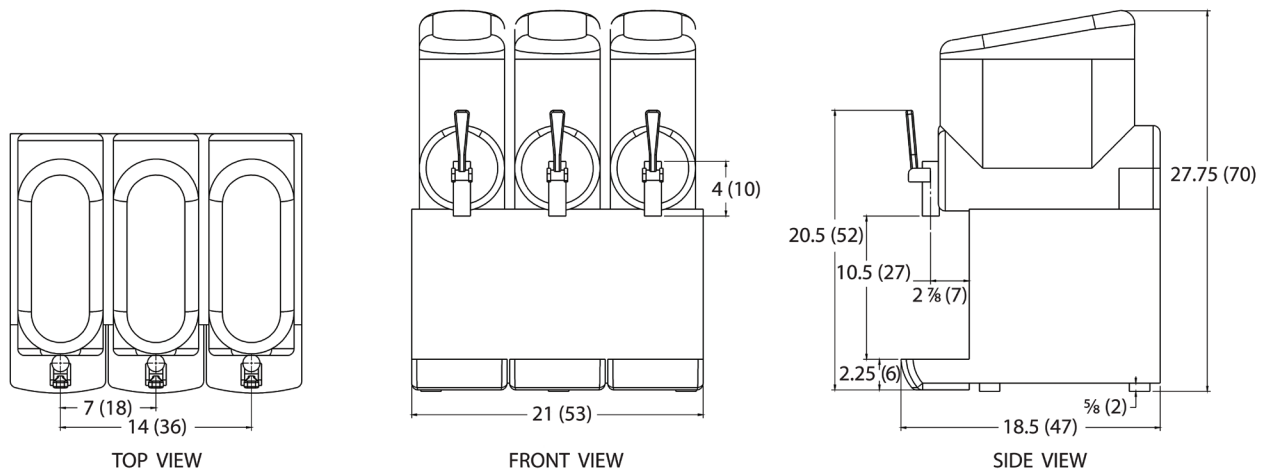
model NHT3ULBL

Features

- The ideal option for frozen drink and cold beverage dispensing like slushes, smoothies, frozen cocktails, iced coffee, juices, and lemonades.
- Available in both two and three bowl models, with 2.5 gallon (9.5 L) capacity per bowl.
- Suction cup compression seal system acts as a barrier between the granita product and vital gear motors, preventing product leakage and down time.
- Freeze-up monitoring system prevents motor burn-out.
- Dual surface freezing chambers freezes product quickly and efficiently.
- Adjustable slush and cool beverage modes allow you to set the consistency of your frozen drinks, or sell cold beverages instead.
- 24-hour programmable defrost timer allows you to plan defrost cycles so that you can decrease downtime and maximize sales.
- Stainless steel auger shaft is protected against rust to prevent time-consuming maintenance.

Models & Dimensions

NHT FrigoGranita® Dispensers



model NHT3UL represented
measurements in inches [cm]

Specifications

Model	Description	Power	Product Dimensions (H x W X D)	Ship Weight
NHT2UL (200702L)	Stainless Steel, 2 bowls with 2.5 gallon (9.5 L) capacity per bowl. UL, CUL, and NSF Certifications	0.5 hp	27.75" x 14.25" x 18.5" (70 cm x 36 cm x 47 cm)	95 lbs. (43.1 kg)
NHT2ULBL (200706L)	Black, 2 bowls with 2.5 gallon (9.5 L) capacity per bowl. UL, CUL, and NSF Certifications	0.5 hp	27.75" x 14.25" x 18.5" (70 cm x 36 cm x 47 cm)	95 lbs. (43.1 kg)
NHV2UL-AF* (200724L)	Stainless Steel, 2 bowls with 2.5 gallon (9.5 L) capacity per bowl. UL, CUL, and NSF Certifications	(2) 0.5 hp	35.75" x 14.25" x 18.5" (91 cm x 36 cm x 47 cm)	148 lbs. (67.1 kg)
NHT3UL (200703L)	Stainless Steel, 3 bowls with 2.5 gallon (9.5 L) capacity per bowl. UL, CUL, and NSF Certifications	0.75 hp	27.75" x 21" x 18.5" (70 cm x 53 cm x 47 cm)	125 lbs. (56.7 kg)
NHT3ULBL (200707L)	Stainless Steel, 3 bowls with 2.5 gallon (9.5 L) capacity per bowl. UL, CUL, and NSF Certifications	0.75 hp	27.75" x 21" x 18.5" (70 cm x 53 cm x 47 cm)	125 lbs. (56.7 kg)

Electrical: Line cord included. NHT2 = 120V / 1.7 KW / 15A / 1 Ph, NHT3/NHV2UL = 120V / 2.3 KW / 20A / 1 Ph.

*AutoFill ready for liquid bag and box apparatus.

Note: This series has reversible lids with single-sided lighted graphics.

Stainless steel dispensers come standard with light gray lids and gray drip trays.

