

Models PBIC-430 & PBIC-330

PRECISION BREW™ Vacuum Insulated Shuttle® Brewers



Model PBIC-330
Single Vacuum Insulated
Shuttle® Brewer



Model PBIC-430
Twin Vacuum Insulated
Shuttle® Brewer

Vacuum Insulated Shuttle(s) Included



GRINDMASTER™
CORPORATION



Models PBIC-430 & PBIC-330

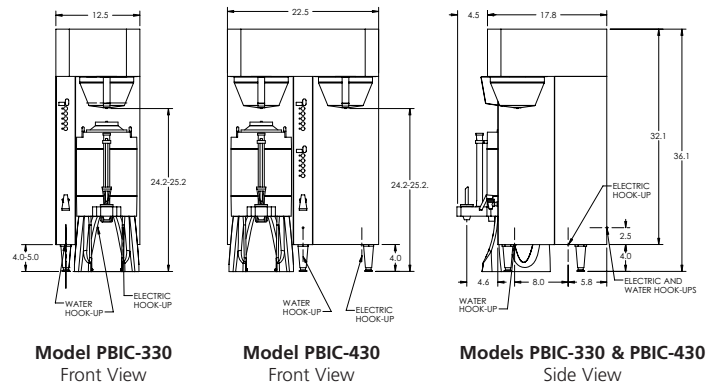
Features

- Model PBIC-330 is a single, digitally controlled brewer. It includes (1) VS-1.5S Shuttle® with stand.
- Model PBIC-430 is a twin, digitally controlled brewer. It includes (2) VS-1.5S Shuttles® with stands.
- The VS-1.5S Shuttle® is a 1.5 gallons (5.7L) Vacuum insulated, stainless steel container with stand. It is portable and will maintain freshly brewed coffee hot without additional heat.
- The following brew variables are programmable through the front display: Water temperature, brew volume, pulse brewing sequence, bypass percentage, low temp/no brew.
- Precise Brew Temperature – The brewer will hold the brew temperature to +/- 1°F during the complete brew cycle.
- 3 Brew Volumes – From ½ gallon (1.9L) to 1½ gallons (5.7L). Each volume can be set by 'teach' mode to eliminate trial-and-error set-up.
- Pulse brewing/pre-infusion – Allows the brew sequence to extract up to 20% more dissolved solids per batch of coffee. Programmable: number of pulses, pulse-on time and pulse-off time. Changing pulse sequence does not affect the brew volume.
- Bypass adjustment – For Large and Medium brew volumes, can program up to 33% of the total brew volume to bypass the coffee grounds. Changing the percentage of bypass will not affect the brew volume.
- Low Temp/No Brew – Allows the brew cycle to begin only when the water has reached the optimum brew temperature. Program On or Off.
- Cycle Counter – The brewer counts the total number of brew cycles.
- Programming Lockout – The brewer settings can be "locked" to prevent tampering.
- Brew Basket Lock – The brew basket(s) are automatically locked in-place throughout the brew cycle.
- Independent or simultaneous brewing on twin brewers.
- Diagnostics – The front display will indicate any water or heater failures.
- Hot Water Faucet – For use in making tea, soup, hot chocolate. Using the faucet will not affect the brew volume.
- Shuttle® lockout switch – The brew cycles are locked out if the Shuttle® is not in place.
- Warranty – 2 years parts and labor on the brewer. 4 years part warranty on the control board.

Specification	Model PBIC-430 (twin)	Model PBIC-330 (single)
Electrical	120/240V, 6600W, 28A 120/208V, 5000W, 24A <i>Other voltages available.</i>	120/240V, 6600W, 28A 120/208V, 5000W, 24A <i>Other voltages available.</i>
5 oz. (148ml) cups/hour (140°F Δ T)	@ 240V: 500 @ 208V: 385	@ 240V: 385 @ 208V: 385
Water Line	3/8" flare	3/8" flare
Water Line Pressure	30 to 70 psi	30 to 70 psi
Cabinet Dimensions (H x W x D)	36" x 22-1/2" x 17-3/4" (91cm x 57cm x 45cm)	36" x 12-1/2" x 17-3/4" (91cm x 32cm x 45cm)
Ship Dimensions (H x W x D)	40" x 32" x 28" (102cm x 81cm x 71cm)	37" x 27" x 22" (94cm x 69cm x 56cm)
Weight	130 lbs. (59 kg)	70 lbs. (32 kg)
Ship Weight	145 lbs. (66 kg)	80 lbs. (37 kg)
Listings	UL, CUL, NSF	UL, CUL, NSF

Specifications are subject to improvement or change without notice.

Accessories	
VS-1.5S	Additional Vacuum Insulated Shuttle® with stand
BB2.0WP	14" x 6" filter paper for BB2.0SS - 500/case
DP-15	Drip pan for PBIC-430
DP-8	Drip pan for PBIC-330



Model PBIC-330
Front View

Model PBIC-430
Front View

Models PBIC-330 & PBIC-430
Side View

Options	
BB2.0SS	Gourmet brew basket (standard)
AOPT-196I	Gourmet spray head
AOPT-307	3 Heater 15KW (high output) PBIC-430 only



GRINDMASTER™
CORPORATION

Grindmaster® Coffee Grinders and Brewers • Espresso® Espresso Machines • Crathco® Hot Beverage Dispensers
Crathco® Cold and Frozen Beverage Dispensers • American Metal Ware® Coffee and Tea Systems
Tel (502) 425-4776 • Fax (502) 425-4664 • 1-800-695-4500 (USA & Canada only)

P.O. Box 35020 • Louisville, KY 40232 • USA