

# Models VS-1.5, VS-1.5S & VS-S

## 1.5 Gallon Vacuum Insulated Shuttle® & Stand



Model VS-1.5S



**GRINDMASTER™**  
CORPORATION

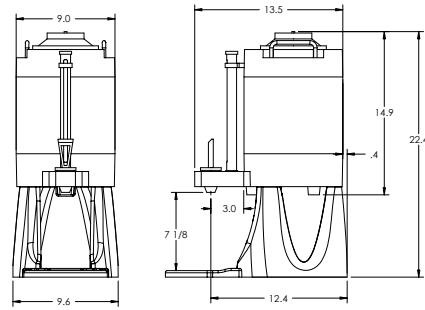


**GRINDMASTER™**  
CORPORATION

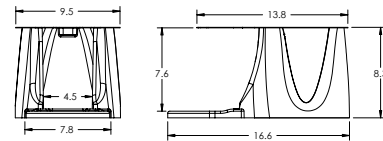
**Models VS-1.5, VS-1.5S and VS-S**

**Features**

- **Brew-Thru®** lid
- NSF approved
- Stainless steel exterior and interior
- Adaptable to most large volume commercial coffee makers
- Compact design for easier mobility
- Maintains perfect coffee holding temperature



**Model VS-1.5S (with stand)**



**Model VS-S**

Specifications	Model VS-1.5	Model VS-1.5S	Model VS-S
<b>Description</b>	Shuttle® only	Shuttle® with stand attached	Stand only
<b>Capacity</b>	1.5 gallons (5.7 liters)	1.5 gallons (5.7 liters)	N/A
<b>Temperature Retention</b>	4°F loss after 2 hours 8°F loss after 5 hours	4°F loss after 2 hours 8°F loss after 5 hours	N/A
<b>Insulation</b>	Vacuum	Vacuum	N/A
<b>Outside Surface</b>	Stainless steel and black glossy plastic	Stainless steel and black glossy plastic	Black glossy plastic
<b>Inside Liner</b>	Stainless steel	Stainless steel	N/A
<b>Faucet Clearance</b>	7.2" (18 cm) - when placed on stand	7.2" (18 cm)	N/A
<b>Dimensions</b>	14-7/8" (38 cm) H, 9" (23 cm) diameter	22-1/2" H x 9-1/2" W x 16-1/2" D (57 cm x 24 cm x 42 cm)	8-1/2" H x 9.5" W x 16-1/2" D (22 cm x 24 cm x 42 cm)
<b>Shipping Dimensions (H x W x D)</b>	17" H x 15-1/4" W x 11" D (43 cm x 39 cm x 28 cm)	25" H x 12-1/2" W x 17" D (64 cm x 32 cm x 43 cm)	12" H x 12-1/2" W x 16-1/2" D (31cm x 32 cm x 42 cm)
<b>Weight</b>	8 lbs. (3.6 kg)	10 lbs. (4.5 kg)	2-1/2 lbs. (1.1 kg)
<b>Shipping Weight</b>	10 lbs. (4.5 kg)	13 lbs. (5.9 kg)	3-1/2 lbs. (1.6 kg)
<b>Listings</b>	NSF	NSF	NSF

All specifications are subject to improvement or change without notice.



**GRINDMASTER™**  
CORPORATION



Grindmaster® Coffee Grinders and Brewers • Espresso® Espresso Machines • Crathco® Hot Beverage Dispensers  
Crathco® Cold and Frozen Beverage Dispensers • American Metal Ware® Coffee and Tea Systems  
Tel (502) 425-4776 • Fax (502) 425-4664 • 1-800-695-4500 (USA & Canada only)

P.O. Box 35020 • Louisville, KY 40232 • USA