



**Electrolux**

## Libero Line Series Mini Combi Oven

ITEM # \_\_\_\_\_

MODEL # \_\_\_\_\_

NAME # \_\_\_\_\_

SIS # \_\_\_\_\_

AIA # \_\_\_\_\_



**Electrolux**



Libero Line Series  
Mini Combi Oven

**260914 (OTS100)**

Libero Mini Combi Oven -  
110V/1ph/60Hz

### Short Form Specification

**Item No.** \_\_\_\_\_

Libero Mini Combi Oven shall feature: steam, convection and mixed cooking modes. Accommodates half sized steam pans in 5 rack positions. Cord and plug included. No water connection required. Self-contained water tank is an optional accessory.

### Main Features

- Steam, Bake and cook with a combination of both functions in a countertop platform.
- Stainless steel oven cavity with rounded corners.
- Self contained with built-in fresh water/condense container and requires no water or drain connections.
- Delicate foods, such as fish, cook in the gentle heat of low temperature steam, retaining the full flavor and texture.
- Reheat chilled food in low temperature steam, without it drying out and losing its "freshness".
- Cooks vegetables in maximum steam, without loss of vitamins or flavor.
- Fan assisted air circulation enables convection cooking at a lower temperature with even results over the three oven shelves.
- Combining steam and convection heating produces a moist heat that reduces shrinkage whilst still browning meat.
- Supplied with the following:
- 1/2GN accessories: 3each aluminum baking plates, 2 each stainless steel perforated containers, 2 each stainless steel plain containers and 3 each stainless steel wire grids.

### Construction

- Stainless steel oven cavity with rounded corners.

### Included Accessories

- 1 of Stainless steel 1/2 GN container - 2" PNC 329040
- 1 of Perforated container PNC 921180
- 1 of Stainless steel 1/2 GN container - 1" PNC 921181
- 1 of Wire grid PNC 921182
- 1 of Baking plate PNC 921183

### Optional Accessories

- Stainless steel 1/2 GN container - 2" PNC 329040
- External water tank for Mini Combi PNC 921016
- Perforated container PNC 921180
- Stainless steel 1/2 GN container - 1" PNC 921181
- Wire grid PNC 921182
- Baking plate PNC 921183
- GN 1/2 (10" x 12") tray made of aluminium alloy with no-stick coating, 3/4" (20 mm) deep PNC 922308
- GN 1/2 (10" x 12") tray made of aluminium alloy with no-stick coating, 1 1/2" (40 mm) deep PNC 922309



**APPROVAL:** \_\_\_\_\_

Electrolux Professional, Inc.

[www.electroluxusa.com/professional](http://www.electroluxusa.com/professional)

10200 David Taylor Drive, Charlotte, NC 28262 • Telephone Number: 866-449-4200 • Fax Number: 704-547-7401

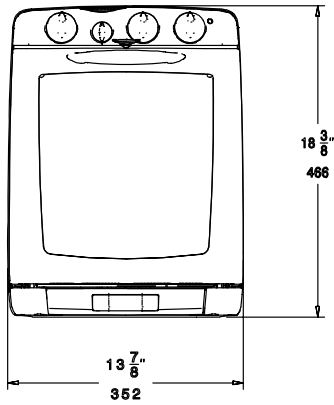
Libero Line Series  
Mini Combi Oven



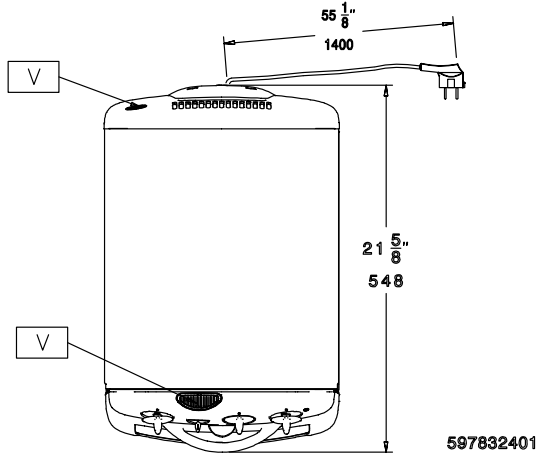
Electrolux

# Libero Line Series Mini Combi Oven

Front

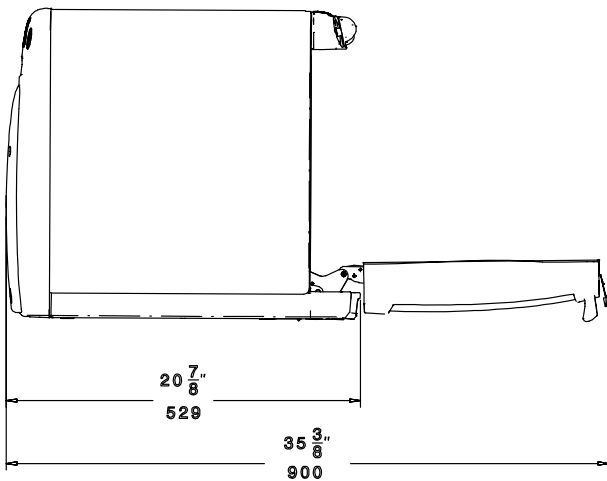


Top



EI = Electrical connection  
V = Air vents

Side



## Electric

### Supply Voltage:

260914 (OTS100)

110V/1ph/60Hz

### Amps:

16

### Total Watts:

1.76 kW

### Plug Type:

NEMA 5-20P

### MCA:

16A

### Motor electrical power:

0,043 kW

## Key Information:

### External dimensions, Width:

13 3/4" (350 mm)

### External dimensions, Depth:

21 7/16" (545 mm)

### External dimensions, Height:

18 5/16" (465 mm)

### Net weight:

49 lbs (22 kg)

### Shipping width:

15 3/4" (400 mm)

### Shipping depth:

23 5/8" (600 mm)

### Shipping height:

21 1/4" (540 mm)

### Shipping weight:

55 lbs (25 kg)

### Shipping volume:

4.58 ft<sup>3</sup> (0.13 m<sup>3</sup>)

Libero Line Series  
Mini Combi Oven

The company reserves the right to make modifications to the products without prior notice. All information correct at time of printing.

2014.05.26