



Electrolux

Warewashing Green&Clean Undercounter Dishwasher EUC Energy Star 2.0

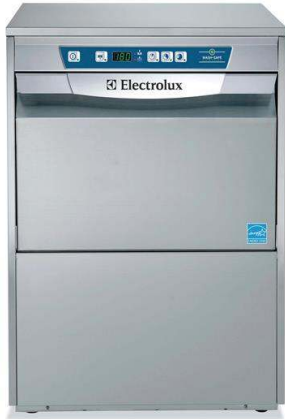
ITEM # _____

MODEL # _____

NAME # _____

SIS # _____

AIA # _____



502315 (EUC3IG8) Green&Clean Undercounter Dishwasher and Glasswasher, Wash Safe Control, Energy Star 2.0, 30 racks/hour - 208V/1N/60Hz

502316 (EUC3IG4) Green&Clean Undercounter Dishwasher and Glasswasher, Wash Safe Control, Energy Star 2.0, 30 racks/hour - 240V/1N/60Hz

Short Form Specification

Item No. _____

Unit to be Electrolux Green & Clean EUC hot water sanitizing dishwasher or glasswasher with WASH SAFE CONTROL. Electrical characteristics to be 240 volts or 208 volts, single or three phase operation. Energy Star 2.0 certified product. Unit to feature atmospheric built-in booster system with built-in rinse booster pump thus guaranteeing rinse pressure during rinse cycle. Maximum water consumption of 0.8 gal (3 L) per rack. Washing performance is guaranteed by a powerful 1 HP (0.73 kW) wash pump and upper and lower stainless steel revolving washing spray arms. Unit to feature "WASH SAFE CONTROL" LED light. Green light will indicate that all items washed have been properly rinsed. 304 Stainless steel construction to include double skin door and double skin side panels, wash tank, tank filter plus wash and rinse arms. The unit shall include drain pump, detergent and rinse aid pumps and is equipped with flexible fill hoses. Delivered on height-adjustable feet.

Covered by Electrolux Platinum Star Service Program two-year parts and one-year labor warranty, installation start-up and performance check-up after one year from installation.



APPROVAL: _____

Main Features

- Requires only 0.8 gal (3 L) of water per rack thus ensuring low energy, water, detergent and rinse aid consumption.
- Energy Star 2.0 certified product.
- Built-in atmospheric booster sized to raise incoming cold water to a minimum of 180°F (82°C) for sanitizing rinse. No external booster is required. Constant temperature above 180°F (82°C) throughout the rinsing cycle.
- ETL C & US and ETL-Sanitization approved (ANSI/NSF 3 sanitation standard).
- Can be used as dishwasher or glasswasher.
- Green light of "WASH SAFE CONTROL" confirms that items have been rinsed properly.
- Automatic fill of wash tank to be recirculated each wash cycle.
- Unique temperature interlock guarantees required temperatures in both the wash and final rinse.
- Maximum capacity per hour of 30 racks or 540 dishes.
- 120/180/240 seconds cycles.
- Incorporated Soft Start feature to offer additional protection to more delicate items.
- Cycle may be interrupted at any time by opening the door.
- Automatic self-cleaning cycle.
- State-of-the-art electronic controls with built-in programming, self-diagnostics for serviceability and automatic interior rinse-down cycle.
- Built-in rinse aid and detergent pumps with automatic initial and continuous cycle loading for perfect result while minimizing service and maintenance needs.
- Equipped with flexible fill and drain hoses and electric cable. All 6 feet (1.8m) long.
- Single phase voltage, field convertible to three phase.



Electrolux

Warewashing
Green&Clean Undercounter Dishwasher EUC Energy Star 2.0

Electrolux Professional, Inc.

www.electroluxusa.com/professional

10200 David Taylor Drive, Charlotte, NC 28262 • Telephone Number: 866-449-4200 • Fax Number: 704-547-7401



Construction

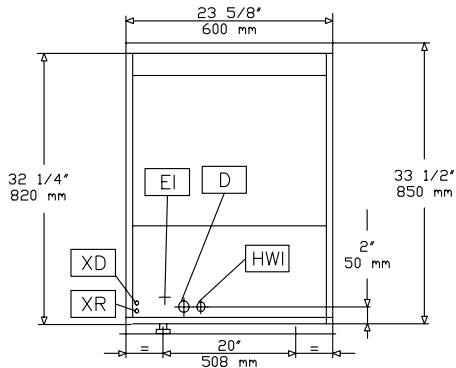
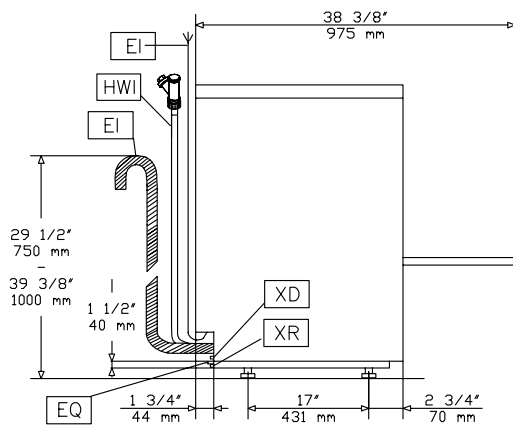
- Heavy duty Stainless steel construction. Internal cavity as well as exterior panels are in 304 series Stainless steel.
- Double skin insulated door and side panels.
- Specially designed Stainless steel wash/rinse arms and nozzles provide superior cleaning action.
- Revolving interchangeable stainless steel wash/rinse arms above and below the rack, removable without tools for simple clean up.
- Pre-arranged for on-site HACCP implementation and Energy Management device.
- Element protection from dry fire and low water.
- Utilizes standard 20" by 20" (500x500mm)racks for ease of operation.
- Primary and secondary strainers for enhanced particle filtering.
- Height adjustable feet.
- Suitable for built-in or free-standing installation.

Included Accessories

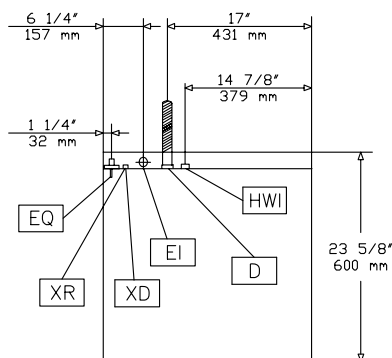
- 2 of Yellow cutlery container PNC 864242
- 1 of Basket for (18) dinner plates, yellow PNC 867002
- 1 of Basket for (48) small cups or (24) large cups, PNC 867007 blue

Optional Accessories

- 20lit external manual water softener PNC 860430
- Electronic Board for HACCP through PC Network, for Dishwashers PNC 864001
- Kit (4) casters, for double skinned undercounter hood type PNC 864008
- - NOT TRANSLATED - PNC 864009
- Filter for total demineralization PNC 864367
- Half size basket- universal, (20" x 10") PNC 864527
- Half size basket for dinner plates (20" x 10") PNC 864528
- Half size basket for glasses (20" x 10") PNC 864529
- Basket for wine glasses (20" x 20" x 10") PNC 867019
- Basket for 16 vertical glasses (H=3")-BLUE PNC 867023

Front

Side


- D** = Drain
- EI** = Electrical connection
- EO** = Electrical Outlet
- HWI** = Hot water inlet
- V** = Air vents
- XR** = Rinse aid connection
- XD** = Detergent connection

Top

Electric
Supply voltage:
502315 (EUC3IG8)

208 V/1 ph/60 Hz, convertible to 208 V/3 ph/60 Hz

502316 (EUC3IG4)

240 V/1 ph/60 Hz, convertible to 240 V/3 ph/60 Hz

Total Watts:

6.85 kW

Tank heating elements:

2.2 kW

Minimum current:
502315 (EUC3IG8)

33A (1ph)/ 20A (3ph)

502316 (EUC3IG4)

29A (1ph)/ 18A (3ph)

MOP:

40A (1ph)/ 30A (3ph)

MCA:
502315 (EUC3IG8)

34A (1ph & 3ph)

502316 (EUC3IG4)

30A (1ph & 3ph)

6 ft. (1.8m) Electric cable included.

Conversion from single to three phase can be performed on site.

Water:
Water supply temperature:

77-131°F (25-55°C)

Water consumption per cycle:

0.8 gal (3 L) in 12 seconds

Initial fill water consumption:

6 gal (23 L)

Inlet Water supply pressure:

7 - 102 psi (0.5 - 7 bar)

Booster Capacity:

3.17 gal (12 L)

Tank Capacity:

6.08 gal (23 L)

Incoming Hot Water line size:

G 3/4"

Drain line size:

0.7" ID (18mm)

Maximum drain height:

39" (1000 mm) MAX

6 ft. (1.8m) stainless steel flexible water fill hose included 6 ft. (1.8m) flexible drain hose included.

Key Information:
Dishes per hour:

540

Wash temperature (MIN):

160° (71°C)

Rinse temperature (MIN):

179.6°F (82°C)

Noise level:

<65 dBA

External dimensions, Width:

23 5/8" (600 mm)

External dimensions, Depth:

24 1/16" (612 mm)

External dimensions, Height:

33 7/16" (850 mm)

Inside Clearance (depth):

19-11/16" (500 mm)

Inside Clearance (height):

13-3/16" (335 mm)

Inside Clearance (width):

19-11/16" (500 mm)

Net weight:

150 lbs (68 kg)

Shipping width:

26 3/8" (670 mm)

Shipping depth:

29 1/8" (740 mm)

Shipping height:

39 3/4" (1010 mm)

Shipping weight:

165 lbs (75 kg)

Shipping volume:

 17.68 ft³ (0.5 m³)

Detergent and rinse aid pumps included.