



Electrolux

Warewashing Green&Clean Large Opening Hot Water Sanitizing Pot and Pan Washer - WT850

ITEM # _____

MODEL # _____

NAME # _____

SIS # _____

AIA # _____



Warewashing

Green&Clean Large Opening Hot Water
Sanitizing Pot and Pan Washer - WT850

506033 (WT850M208U) Large Opening Electric Pot
and Pan Washer -
208V/3/60Hz

Short Form Specification

Item No. _____

Unit to be Electrolux WT850 Large Opening Hot Water Sanitizing Pot and Pan Washer. Electrical characteristics to be ___ 208 V three phase operation with four automatic cycles of 6, 10, 15 minutes and continuous. Constant rinse temperature of 180°F and rinse pressure guaranteed by built in hot water booster heater and built-in rinse water booster pump. Wash Safe Control ensures that the correct water temperature and pressure are maintained during the rinse phase for perfect rinsing performance regardless of the network's water pressure (min 7 psi)

Washing performance is guaranteed by a 7.0 HP wash pump, upper and lower revolving washing spray arms as well as lateral spray arms. Wash water pressure can be regulated between top and bottom washing arms. 304 stainless steel construction to include frame, wash tank, booster tank and side panels.

Covered by Electrolux Platinum Star® Service Program two-year parts and one-year labor warranty, installation start-up and performance check-up after one year from installation.



APPROVAL: _____

Main Features

- Energy Star 2.0 certified product.
- Built-in atmospheric booster sized to raise incoming water to a minimum of 180 °F for sanitizing rinse. No external booster required. Constant temperature above 180°F throughout the rinse cycle.
- Unique temperature interlock guarantees required sanitizing temperatures thereby ensuring that NSF mandated temperatures are maintained.
- Green light of "WASH SAFE CONTROL" confirms that items have been rinsed properly.
- Requires only 0.33 gallons of water per square foot of rack.
- 4 washing programs 6, 10 or 15 minute as well as continuous wash cycle.
- Maximum 10 cycles per hour.
- 52 3/4" x 27 15/16" x 22 7/16" washing chamber suitable to wash large pots and sheet pans.
- 304 stainless steel construction to include frame, wash tank, booster tank and side panels.
- Revolving stainless steel wash/rinse arms above and below the rack.
- Wash and rinse arms easy to remove without the use of a tool.
- Wash water pressure can be regulated between top and bottom wash arms.
- Side washing arms for extra washing performance.
- Side washing arms, easily removable for cleaning.
- Smooth surfaces and wash tank with rounded corners to facilitate cleaning.
- Primary and secondary strainers for enhanced particle filtering, easy to remove without having to remove wash and rinse arms.
- Self cleaning cycle.
- Easy access to wash chamber thanks to 180° front opening door.
- Requires limited space for opening thanks to the cantilevered 2 part door.
- Double skin construction with sound insulation for quiet operation and to reduce heat dispersion.
- State of the art electronic controls with built in programming, self diagnostic for serviceability.
- Digital read out keeps operator informed as to cycle status and temperatures.
- Element protection from dry fire and low water.
- Pre arranged for automatic detergent dispensers.
- Height adjustable feet.
- Stainless steel basket for pots and pans included.
- Sheet pan insert included.
- Low noise level.



Electrolux

Warewashing
Green&Clean Large Opening Hot Water Sanitizing Pot and Pan Washer
- WT850

Electrolux Professional, Inc.

www.electroluxusa.com/professional

10200 David Taylor Drive, Charlotte, NC 28262 • Telephone Number: 866-449-4200 • Fax Number: 704-547-7401



Electrolux

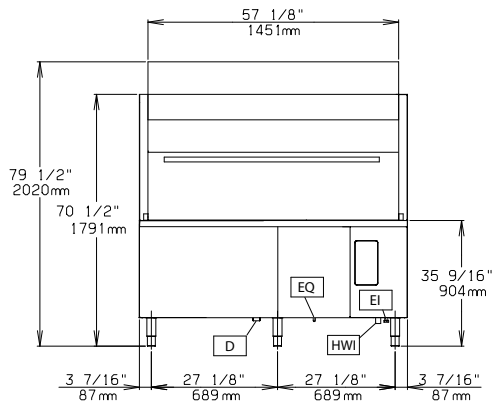
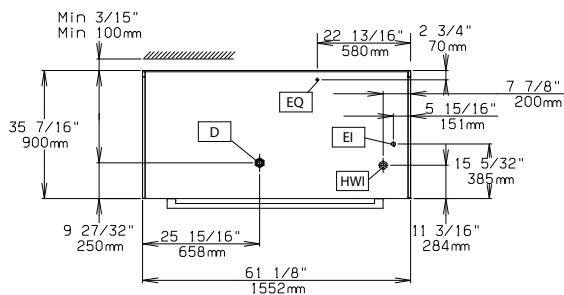
**Warewashing
Green&Clean Large Opening Hot Water
Sanitizing Pot and Pan Washer - WT850**

Included Accessories

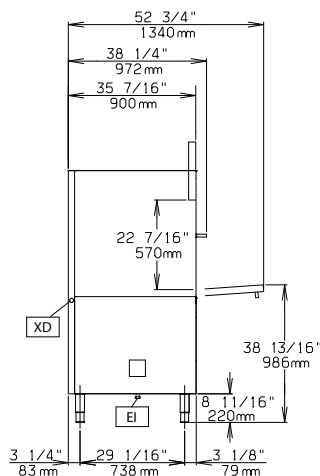
- 2 of Rack for 3 full-size sheet pans PNC 864182
- 1 of Stainless steel basket for pot and pan washers, 65-1/8" (1351mm) PNC 864192

Optional Accessories

- Electronic Board for HACCP through PC Network, for Dishwashers PNC 864001
- - NOT TRANSLATED - PNC 864471

Front

Top


- D = Drain** **XR = Rinse aid connection**
EI = Electrical connection
EO = Electrical Outlet
HWI = Hot water inlet
V = Air vents
XD = Detergent connection

Side

Electric

Supply voltage:	506033 (WT850M208U)	208 V/3 ph/60 Hz
Total Watts:		17.5 kW
Booster heating elements:		
Tank heating elements:		10,5 kW
Wash pump size:		7.0 hp (5.4 kW)
Minimum current:		56A
Maximum Over-Current Protection (MOP):		60A
Minimum Circuit Ampacity (MCA):		62A

Water:

Water supply pressure:	7-102 psi (50-700 kPa)
Water supply temperature**:	122°F (50 °C)
	Colder incoming water supply may lengthen wash cycle time.
Inlet Water supply hardness:	7-14 (°fH) / 4-8 (°dH)

Water consumption per square foot of rack:	0.33 gallons (1.2 L)
Water consumption per cycle:	3.2 gallons (12 L)
Initial fill water consumption:	39.6 gallons (150 L)
Booster Capacity:	4.76 gal (18 L)
Tank Capacity:	39.63 gal (150 L)
Incoming water line size:	0.75" (19.05 mm)
Drain line size:	1.625" ID (40 mm) free fall drainage

Key Information:

Racks per hour:	10 (6 minute cycle); 6 (10 minute cycle); 4 (15 minute cycle)
Wash Temperature:	158 °F (70 °C)
Rinse temperature (MIN):	183.2°F (84°C)
External dimensions, Width:	61 1/8" (1552 mm)
External dimensions, Depth:	35 7/16" (900 mm)
External dimensions, Height:	70 1/2" (1791 mm)
Net weight:	661 lbs (300 kg)
Shipping width:	70 7/8" (1800 mm)
Shipping depth:	43 5/16" (1100 mm)
Shipping height:	86 5/8" (2200 mm)
Shipping weight:	849 lbs (385 kg)
Shipping volume:	153.81 ft ³ (4.36 m ³)
Noise level:	<70 dBA
N° of working cycles - sec.:	4 (360/600/900/inf)
Predisposed for external detergent connections	