



Electrolux

Food Processor
K120-Vertical Cutter-Mixer
12.2qt, 2 speed-s/s bowl

ITEM # _____

MODEL # _____

NAME # _____

SIS # _____

AIA # _____



Electrolux



Food Processor

K120-Vertical Cutter-Mixer 12.2qt, 2 speed-s/s bowl

603297 (K120FU)

K120FU S/S CUTTER-MIXER 12.2QT

Short Form Specification

Item No.

K120FU-Vertical Cutter/Mixer, bench-style, two speed, 12.2 quart bowl capacity, removable bowl design, stainless steel bowl with clear lexan lid, stainless steel housing, 1260 or 2480 rpm, 3 HP, 208-240v/60/3, 15.0 amps

Main Features

- Cutter-mixer allows fast liquidizing, mixing, mincing, chopping and pastry-making.
- Delivered with:
 - 12.2qt stainless steel bowl with smooth edge "S" blade included.
- Large central rotating shaft that allows liquids to be mixed without overflowing.
- Angled blades and conical base of the bowl ensure consistent mixing.
- Lid with opening to add ingredients in mid-cycle.
- Base fixed cover for a better handling.
- All parts in contact with food are removable without the use of tools, completely dismountable and dishwasher safe.
- Pulse function to coarse chopping.
- Productivity suitable for 100-200 meals per service.

Construction

- 304 AISI stainless steel bowl with leak resistant spout and watertight seal and handles.
- 2 speeds: 1500 and 3000 rpm.
- Power: 2200 watts.
- IP65 touch button control panel.
- Transparent polycarbonate cover incorporates a magnetic contact safety system.

Included Accessories

- 1 of Smooth blade rotor for 12.2 qt Cutter/ Mixer bowl PNC 653179
- 1 of 12.2 qt stainless steel bowl PNC 653270

Optional Accessories

- Stainless steel mobile stand PNC 653017
- Smooth blade rotor for 12.2 qt Cutter/Mixer bowl PNC 653179
- 12.2 qt stainless steel bowl PNC 653270
- Serrated blade rotor for 12.2 qt Cutter/ Mixer bowl PNC 653299
- Serrated blade rotor for meat for 11,5 lt cutter mixer PNC 653538



APPROVAL: _____

K120-Vertical Cutter-Mixer 12.2qt, 2 speed-s/s bowl
Food Processor

Electrolux Professional, Inc.

www.electroluxusa.com/professional

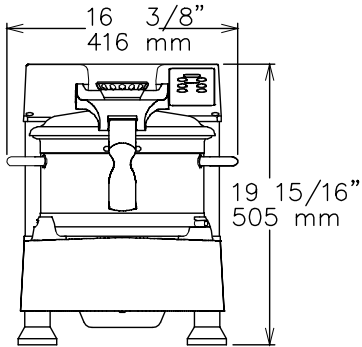
10200 David Taylor Drive, Charlotte, NC 28262 • Telephone Number: 866-449-4200 • Fax Number: 704-547-7401



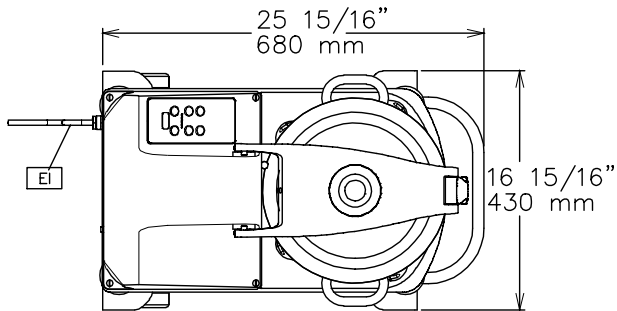
Electrolux

Food Processor K120-Vertical Cutter-Mixer 12.2qt, 2 speed-s/s bowl

Front

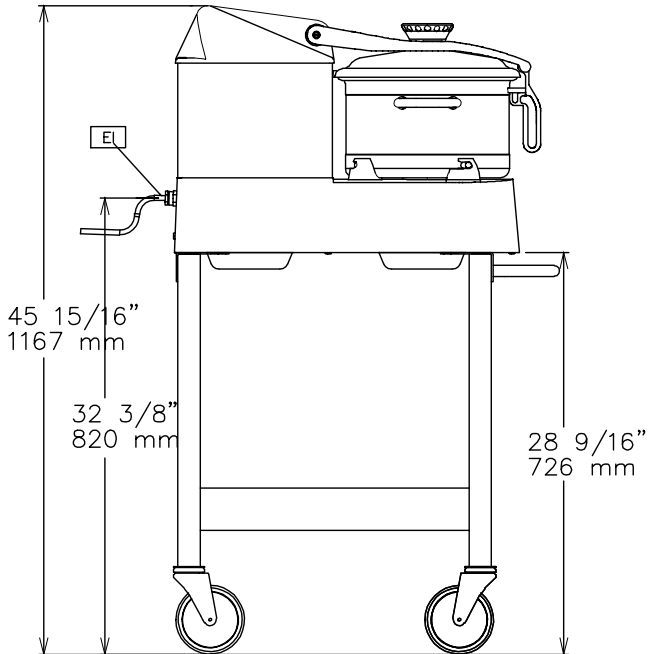


Top



EI = Electrical connection

Side



Electric

Supply voltage:

603297 (K120FU) 208...240 V/3 ph/60 Hz

Connected load:

2.2 kW

Total Watts:

2.2 kW

Key Information:

External dimensions, Width: 16 3/8" (416 mm)

External dimensions, Depth: 26 3/4" (680 mm)

External dimensions, Height: 20 3/8" (517 mm)

Shipping width: 21 5/8" (550 mm)

Shipping depth: 31 1/2" (800 mm)

Shipping height: 31 1/2" (800 mm)

Shipping weight: 165 lbs (75 kg)

**Food Processor
K120-Vertical Cutter-Mixer 12.2qt, 2 speed-s/s bowl**

The company reserves the right to make modifications to the products without prior notice. All information correct at time of printing.

2014.06.09