

## High Speed Grill

ITEM # \_\_\_\_\_

MODEL # \_\_\_\_\_

PROJECT NAME # \_\_\_\_\_

SIS # \_\_\_\_\_

AIA # \_\_\_\_\_



### High Speed Grill

603691 High speed sandwich grill 208V/1ph/60Hz

### Short Form Specification

Item No. \_\_\_\_\_

The Electrolux High Speed Grill is the fastest sandwich grill in the world. Using breakthrough Microwaves in combination with Infrared technology, cooking times can be reduced up to 75% while delivering superior sandwich quality by combining simultaneously infrared radiation, contact plates and microwaves you can perfectly toast and warm up the core of your favourite panini for a Great Tasting, Hot and Crispy Sandwich in less than 60 seconds.\* Just place your sandwich on the cooking surface and close the lid. The HSG will self adapt the upper grilling plate and automatically open the lid for you when the sandwich is ready. When not in operation, the HSG will automatically enter in stand by mode reducing the energy consumption.

\*Depending on the cooking mass.

### Technical Specs

- AISI 304 S/S lid and top plate.
- AISI 430 S/S back cover and galvanized steel bottom cover.
- Painted steel side panels.
- Aluminium ribbed top contact plate (8 7/16" × 8 7/16") treated with a special non-stick coating.
- The self adjusting top plate makes it possible to grill sandwiches from 3/8" up to 3" thick.
- Smooth 4 mm thick quartz glass bottom cooking surface (9 13/16" × 9 13/16").
- Independent temperature setting of the top and bottom plates from 320 to 536°F.
- Automatic holding and opening system controlled by an electromagnet.
- Automatic lifting of the lid at the end of the cooking cycle via gas spring.
- Electronic control with digital LED display.
- Countdown display and buzzer at the end of the cycle.
- 2 temperature probes for an independent control of the top and bottom plate temperature.
- 900W MICA heating element on the top plate.
- 900W electrical armored heating elements on the bottom plate.
- 2 × 1000W magnetrons for microwave.
- Side louvres for efficient cooling ventilation.
- Ergonomic aluminium handle with plastic grip.
- Removable front panel and dismountable upper plate for better cleanability.
- Supervisor mode to program up to 4 cooking cycle.
- Programmable parameters:
  - top plate temperature<sup>1</sup>
  - bottom plate temperature<sup>1</sup>
  - duration of cycle
  - duration of microwave within each cycle
  - Stand-by delay
  - Stand-by temperature
- IP24 protection index.
- 78 3/4" cable included.

<sup>1</sup> the temperature remains fixed for all cooking cycles



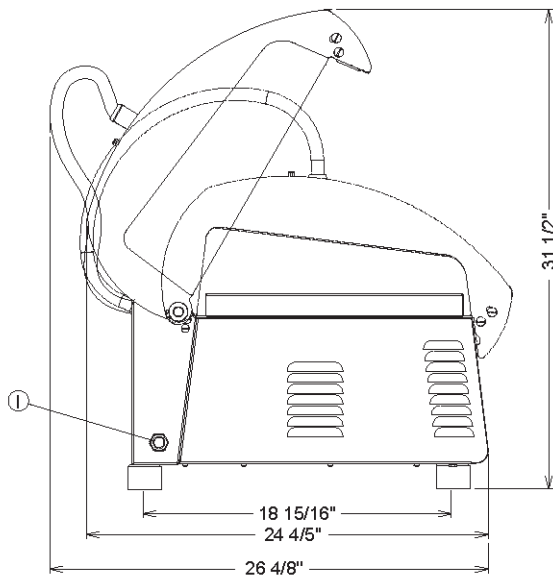
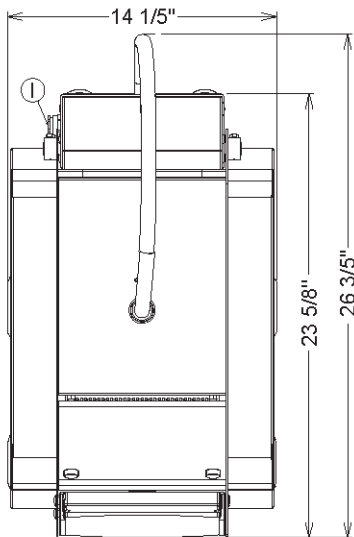
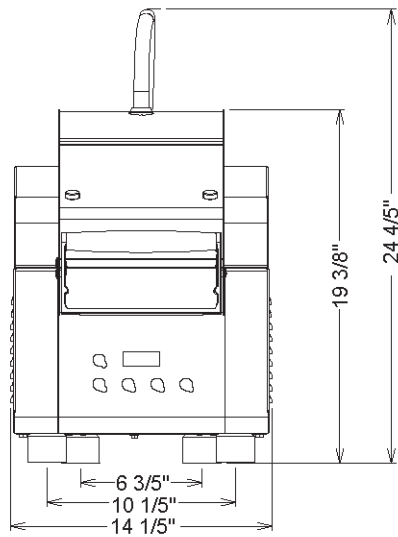
Approval: \_\_\_\_\_

**Electrolux Professional, Inc.**

[www.electroluxusa.com/professional](http://www.electroluxusa.com/professional)

10200 David Taylor Drive, Charlotte, NC 28262 • Telephone Number: 866-449-4200 • Fax Number: 704-547-7401

KaTom Restaurant Supply, Inc.



I = Electrical connection

### Electric

<b>Supply Voltage:</b>	
603691(HSPPUS)	208 V/1ph/60Hz
<b>Amps</b>	26
Total installed power:	5 kW
Top plate power:	0,9 kW
Bottom plate power:	0,9 kW
<b>Microwave power:</b>	2 kW
<b>Plug Type</b>	NEMA 6-30P

### Installation

<b>Clearance:</b>	- 1" (25 mm) rear
	- 8" (200 mm) between units when placed side by side

### Key Information

<b>External dimensions:</b>	24 4/5" × 14 1/5" × 26 3/5"
<b>Cooking plate dimensions:</b>	
Top plate:	8 7/16" × 8 7/16"
Bottom plate:	9 13/16" × 9 13/16"
Bottom plate - net:	8 7/16" × 8 7/7/16"
<b>Net weight:</b>	78 lbs
<b>Shipping weight:</b>	119 lbs
<b>Shipping height:</b>	27 3/16"
<b>Shipping width:</b>	17 3/4"
<b>Shipping depth:</b>	30 11/16"
<b>Shipping volume:</b>	8,5 CuFt

High Speed Grill

The company reserves the right to make modifications to the products without prior notice. All information correct at time of printing.

1-27-11