



Electrolux

Vegetable Slicer TRK45 Cutter Slicer - Variable Speed, 4.8qt s/s bowl

ITEM # _____

MODEL # _____

NAME # _____

SIS # _____

AIA # _____



Electrolux

TRK45 Cutter Slicer - Variable Speed, 4.8qt s/s bowl
Vegetable Slicer



Vegetable Slicer

TRK45 Cutter Slicer - Variable Speed, 4.8qt s/s bowl

603811 (TRK45VVNU) TRK45VV W/ 4.7QT BOWL+ CUTTING-VAR SP-US (300-3700 rpm)

Short Form Specification

Item No. _____

TRK45VVNU-Vegetable Cutter/Mixer, angled front, continuous feed design, variable speed (300-3700 rpm), large single feed hopper, includes 4.7 qt stainless steel bowl, lid, bowl scraper, microtooth blade rotor, handle pusher, standard ejector, stainless steel feeding arm & hopper, aluminum motor housing, 1-1/3 HP, 120v/60/1, 6.0 amps, NEMA 5-15P, ETL listed (no discs included)

Main Features

- 3 in 1 machine: cutter, emulsifier and vegetable slicer to slice, grate, liquidise, mix and mince in a matter of seconds.
- Incl system to incline motor base at 20° to better fit the vegetable slicer attachment.
- Delivered with:
 - Stainless steel lever operated feed hopper.
 - 1 gallon (4,5 lb) stainless steel cutter bowl, transparent lid, scraper and microtoothed blade rotor.
- Vegetable slicer unit has slicing, grating, shredding as well as dicing and french fries capabilities.
- Long vegetables round hopper integrated in the feed arm, 3/4 moon roundish hopper to limit pre cutting operations.
- Emulsifier function (scraper) included as standard.
- Base fixed cover for a better handling.
- Red OFF, green ON buttons.
- Pulse function to coarse chopping.
- All parts in contact with food are removable without the use of tools, completely dismountable and dishwasher safe.
- Automatic restart of the machine with the 3/4 moon shaped pusher in position.
- Magnetic safety system and motor brake. Prevents machine from running when vegetable preparation lever and/or hopper are lifted or when cutter lid is not properly closed.
- Automatic speed limitation according to the selected function (slicer or cutter).
- Complete and wide selection of blades and grids available diameter 8" (205 mm).
- TRK45 - 1 kW.

Construction

- Stainless steel bowl has a high chimney to ensure high productivity also when processing liquids (75% of the nominal capacity).
- Food processing at 10 variable speeds: 300-3700 rpm.
- Power: TRK45 - 1.3 HP.
- Compact and portable design.

Included Accessories

- 1 of Microtooth blade rotor for 4.7 quart PNC 653580 cutter/mixer
- 1 of Lid & bowl scraper, 4.7 quart, for PNC 653588 cutter/mixer
- 1 of Bowl, 4.7 quart, for cutter/mixer, PNC 653589 stainless steel



APPROVAL: _____



Electrolux

Vegetable Slicer TRK45 Cutter Slicer - Variable Speed, 4.8qt s/s bowl

- 1 of TRS & TRK ejector plate (fits with following PNCs: 603800, 603801, 603802, 603803, 603811, 603812, 603813) PNC 653772

Optional Accessories

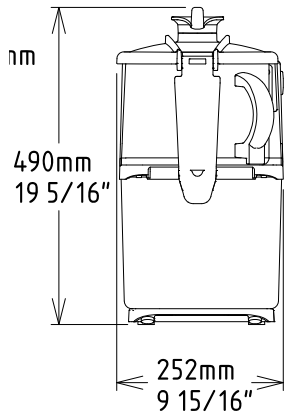
- Microtooth blade rotor for 4.7 quart cutter/mixer for emulsions PNC 650039
- Julienne Disc 5/32" (4mm) PNC 650077
- Julienne Disc 1/4" (6mm) PNC 650078
- Julienne Disc 5/16" (8mm) PNC 650079
- Julienne Disc 3/8" (10mm) PNC 650080
- Slicing Disc 0.6mm (can be combined with Dicing Grids (MT) and Grids for Chips (FT)) PNC 650081
- Slicing Disc 1/32" (1mm) (can be combined with Dicing Grids (MT) and Grids for Chips (FT)) PNC 650082
- Slicing Disc 5/64" (2mm) (can be combined with Dicing Grids (MT) and Grids for Chips (FT)) PNC 650083
- Slicing Disc 1/8" (3mm) (can be combined with Dicing Grids (MT) and Grids for Chips (FT)) PNC 650084
- Slicing Disc 5/32" (4mm) (can be combined with Dicing Grids (MT) and Grids for Chips (FT)) PNC 650085
- Slicing Disc 3/16" (5mm) (can be combined with Dicing Grids (MT) and Grids for Chips (FT)) PNC 650086
- Slicing Disc 1/4" (6mm) (can be combined with Dicing Grids (MT) and Grids for Chips (FT)) PNC 650087
- Slicing Disc 5/16" (8mm) (can be combined with Dicing Grids (MT) and Grids for Chips (FT)) PNC 650088
- Wavy Slicing Disc 5/64" (2mm) (can be combined with Dicing Grids (MT) and Grids for Chips (FT)) PNC 650089
- Wavy Slicing Disc 1/8" (3mm) (can be combined with Dicing Grids (MT) and Grids for Chips (FT)) PNC 650090
- Wavy Slicing Disc 1/4" (6mm) (can be combined with Dicing Grids (MT) and Grids for Chips (FT)) PNC 650091
- Bistrot Pack, Stainless Steel Disc Set containing one each of: C2S 5/64" (2mm) slicing disc, C5S 3/16" (5mm) slicing disc, J2X 5/64" (2mm) grating disc PNC 650092
- Gastronomy Pack, Stainless Steel Disc Set containing one each of: C2S 5/64" (2mm) slicing disc, C5S 3/16" (5mm) slicing disc, J2X 5/64" (2mm) grating disc, AS4X 5/32" x5/32" (4x4mm) shredding disc, C10PS 3/8" (10mm) presser/slicer, MT10T 3/8"x3/8" (10x10mm) dicing grid PNC 650093
- Emulsifying kit for TRK, K45 variable speed, includes 4.7qt (4.5lt) s/s bowl, smooth emulsion blade, lid and scraper PNC 650119
- Julienne Disc 5/64" x 5/16" (2 x 8mm) PNC 650158
- Julienne Disc 5/64" x 3/8" (2 x 10mm) PNC 650159
- Slicing Disc 3/8" (10mm) (can be combined with Dicing Grids (MT) and Grids for Chips (FT)) PNC 650160
- Slicing Disc 15/32" (12mm) (can be combined with Dicing Grids (MT) and Grids for Chips (FT)) PNC 650161
- Wavy Slicing Disc 5/16" (8mm) (can be combined with Dicing Grids (MT) and Grids for Chips (FT)) PNC 650162
- Wavy Slicing Disc 3/8" (10mm) (can be combined with Dicing Grids (MT) and Grids for Chips (FT)) PNC 650164
- Slicing Disc 33/64" (13mm) (can be combined with Dicing Grids (MT) and Grids for Chips (FT)) PNC 650165
- Julienne Disc 5/64" (2mm) PNC 650166
- Julienne Disc 1/8" (3mm) PNC 650167
- Set of 4 Stainless Steel Discs containing one each of: C2S 5/64" (2mm) slicing disc, C5S 3/16" (5mm) slicing disc, J2X 5/64" (2mm) grating disc and J7X 9/32" (7mm) grating disc PNC 650178
- Set of 7 Stainless Steel Discs containing one each of: C2S 5/64" (2mm) slicing disc, C5S 3/16" (5mm) slicing disc, J2X 5/64" (2mm), J7X 9/32" (7mm) grating disc, AS4X 5/32"x5/32" (4x4mm) shredding disc, C10PSB 3/8" (10mm) presser/slicer, MT10T 3/8"x3/8" (10x10mm) dicing grid PNC 650179
- Stainless steel work table assembly. PNC 653283
- Dicing Grid 3/16" x 3/16" (5 x 5mm) (can be combined with Slicing Discs [C] and Wavy Slicing Discs (CW)) PNC 653566
- Dicing Grid 5/16" x 5/16" (8 x 8mm) (can be combined with Slicing Discs [C] and Wavy Slicing Discs (CW)) PNC 653567
- Dicing Grid 3/8" x 3/8" (10 x 10mm) (can be combined with Slicing Discs [C] and Wavy Slicing Discs (CW)) PNC 653568
- Dicing Grid 15/32" x 15/32" (12 x 12mm) (can be combined with Slicing Discs [C] and Wavy Slicing Discs (CW)) PNC 653569
- Dicing Grid 25/32" x 25/32" (20 x 20mm) (can be combined with Slicing Discs [C] and Wavy Slicing Discs (CW)) PNC 653570
- Grid for Chips 1/4" (6mm) (can be combined with Slicing Discs [C] and Wavy Slicing Discs (CW)) PNC 653571
- Grid for Chips 5/16" (8mm) (can be combined with Slicing Discs [C] and Wavy Slicing Discs (CW)) PNC 653572
- Grid for Chips 3/8" (10mm) (can be combined with Slicing Discs [C] and Wavy Slicing Discs (CW)) PNC 653573
- Smooth blade rotor for 4.7 quart cutter/mixer PNC 653579
- Microtooth blade rotor for 4.7 quart cutter/mixer PNC 653580
- Lid & bowl scraper, 4.7 quart, for cutter/mixer PNC 653588
- Bowl, 4.7 quart, for cutter/mixer, stainless steel PNC 653589
- Kit for Vegetable Slicer conversion for variable speed cutter/mixer PNC 653594
- Smooth blade rotor for 4.7 quart cutter/mixer for emulsions PNC 653614
- TRS & TRK ejector plate (fits with following PNCs: 603800, 603801, 603802, 603803, 603811, 603812, 603813) PNC 653772
- Grating Disc 5/64" (2mm) PNC 653773
- Grating Disc 1/8" (3mm) PNC 653774
- Grating Disc 5/32" (4mm) PNC 653775
- Grating Disc 9/32" (7mm) PNC 653776
- Grating Disc 11/32" (9mm) PNC 653777
- Grating Disc for breadcrumbs/potatoes PNC 653778
- Grating Disc for parmesan/chocolate PNC 653779



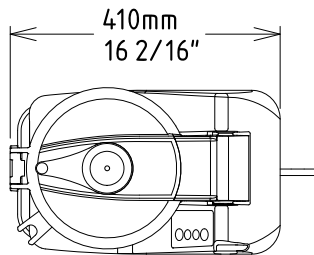
Electrolux

**Vegetable Slicer
TRK45 Cutter Slicer - Variable
Speed, 4.8qt s/s bowl**

Front

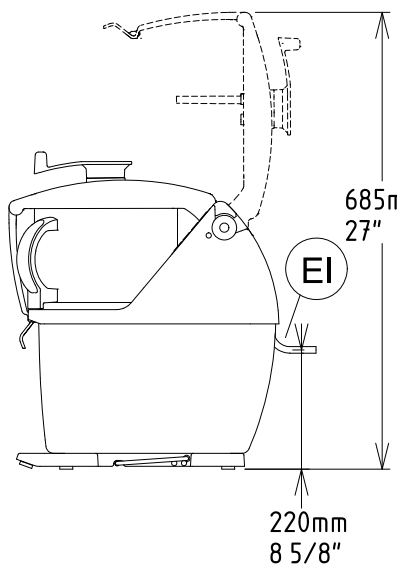


Top



EI = Electrical connection

Side



Electric

Supply voltage:

603811 (TRK45VVNU) 100-120 V/1N ph/50/60 Hz

Electrical power, max:

1 kW

Total Watts:

1 kW

Key Information:

External dimensions, Width: 9 15/16" (252 mm)

External dimensions, Depth: 19 1/16" (485 mm)

External dimensions, Height: 19 7/8" (505 mm)

Shipping width: 12 13/16" (325 mm)

Shipping depth: 32 1/16" (815 mm)

Shipping height: 23 5/8" (600 mm)

Shipping weight: 72 lbs (32.5 kg)

**Vegetable Slicer
TRK45 Cutter Slicer - Variable Speed, 4.8qt s/s bowl**

The company reserves the right to make modifications to the products without prior notice. All information correct at time of printing.

2017.03.15