



Electrolux

Vegetable Slicer TRK70 Cutter Slicer - 7.4qt - Variable Speed

ITEM # _____
 MODEL # _____
 NAME # _____
 SIS # _____
 AIA # _____



Electrolux

TRK70 Cutter Slicer - 7.4qt - Variable Speed



Vegetable Slicer

TRK70 Cutter Slicer - 7.4qt - Variable Speed

603813 (TRK70VVNU) TRK70VV W/ 7.4QT BOWL+
CUTTING-VAR SP-US
(300-3700 rpm)

Short Form Specification

Item No.

TRK70VVNU-Vegetable Cutter/Mixer, angled front, continuous feed design, variable speed (300-3700 rpm), large single feed hopper, includes 7.4 qt stainless steel bowl, lid, bowl scraper, microtooth blade rotor, handle pusher, standard ejector, stainless steel feeding arm & hopper, aluminum motor housing, 1-1/3 HP, 120v/60/1, 6.0 amps, NEMA 5-15P, ETL listed (no discs included)



APPROVAL: _____

Main Features

- 3 in 1 machine: cutter, emulsifier and vegetable slicer to slice, grate, liquidise, mix and mince in a matter of seconds.
- Incl system to incline motor base at 20° to better fit the vegetable slicer attachment.
- Vegetable slicer unit has slicing, grating, shredding as well as dicing and french fries capabilities.
- Long vegetables round hopper integrated in the feed arm, 3/4 moon roundish hopper to limit pre cutting operations.
- Emulsifier function (scraper) included as standard.
- Base fixed cover for a better handling.
- Red OFF, green ON buttons.
- Pulse function to coarse chopping.
- All parts in contact with food are removable without the use of tools, completely dismountable and dishwasher safe.
- Automatic restart of the machine with the 3/4 moon shaped pusher in position.
- Magnetic safety system and motor brake. Prevents machine from running when vegetable preparation lever and/or hopper are lifted or when cutter lid is not properly closed.
- Automatic speed limitation according to the selected function (slicer or cutter).
- Complete and wide selection of blades and grids available (diam. 205 mm).
- Delivered with:
 - Stainless steel lever operated feed hopper.
 - 7.4qt stainless steel cutter bowl, transparent lid, scraper and microtoothed blade rotor.

Construction

- Asynchronous industrial motor with no brushes for high reliability and quiet functioning, stainless steel motor shaft.
- Stainless steel bowl has a high chimney to ensure high productivity also when processing liquids (75% of the nominal capacity).
- Feeding arm and hopper are made entirely in stainless steel. Aluminum motor housing.
- Vegetable cutting at 4 speeds up to 800 rpm. Food processing at 10 variable speeds: 300-3700 rpm.
- IP24 throughout entire machine.
- Power: TRK70 - 2 HP.
- IPX5 (IP55) flat panel touch-control, waterproof panel.
- Compact and portable design.
- All blades (available on request) are made in stainless steel and dishwasher safe.

Included Accessories

- 1 of Microtooth blade rotor for 7.4 quart PNC 653584 cutter/mixer

Electrolux Professional, Inc.

www.electroluxusa.com/professional

10200 David Taylor Drive, Charlotte, NC 28262 • Telephone Number: 866-449-4200 • Fax Number: 704-547-7401



Electrolux

**Vegetable Slicer
TRK70 Cutter Slicer - 7.4qt -
Variable Speed**

- 1 of Lid & bowl scraper, 7.4 quart, for cutter/mixer PNC 653592
- 1 of Bowl, 7.4 quart, for cutter/mixer, stainless steel PNC 653593
- 1 of TRS & TRK ejector plate (fits with following PNCs: 603800, 603801, 603802, 603803, 603811, 603812, 603813) PNC 653772

Optional Accessories

- Microtooth blade rotor for 7.4 quart cutter/mixer for emulsions PNC 650041 □
- Julienne Disc 5/32" (4mm) PNC 650077 □
- Julienne Disc 1/4" (6mm) PNC 650078 □
- Julienne Disc 5/16" (8mm) PNC 650079 □
- Julienne Disc 3/8" (10mm) PNC 650080 □
- Slicing Disc 0.6mm (can be combined with Dicing Grids (MT) and Grids for Chips (FT)) PNC 650081 □
- Slicing Disc 1/32" (1mm) (can be combined with Dicing Grids (MT) and Grids for Chips (FT)) PNC 650082 □
- Slicing Disc 5/64" (2mm) (can be combined with Dicing Grids (MT) and Grids for Chips (FT)) PNC 650083 □
- Slicing Disc 1/8" (3mm) (can be combined with Dicing Grids (MT) and Grids for Chips (FT)) PNC 650084 □
- Slicing Disc 5/32" (4mm) (can be combined with Dicing Grids (MT) and Grids for Chips (FT)) PNC 650085 □
- Slicing Disc 3/16" (5mm) (can be combined with Dicing Grids (MT) and Grids for Chips (FT)) PNC 650086 □
- Slicing Disc 1/4" (6mm) (can be combined with Dicing Grids (MT) and Grids for Chips (FT)) PNC 650087 □
- Slicing Disc 5/16" (8mm) (can be combined with Dicing Grids (MT) and Grids for Chips (FT)) PNC 650088 □
- Wavy Slicing Disc 5/64" (2mm) (can be combined with Dicing Grids (MT) and Grids for Chips (FT)) PNC 650089 □
- Wavy Slicing Disc 1/8" (3mm) (can be combined with Dicing Grids (MT) and Grids for Chips (FT)) PNC 650090 □
- Wavy Slicing Disc 1/4" (6mm) (can be combined with Dicing Grids (MT) and Grids for Chips (FT)) PNC 650091 □
- Bistrot Pack, Stainless Steel Disc Set containing one each of: C2S 5/64" (2mm) slicing disc, C5S 3/16" (5mm) slicing disc, J2X 5/64" (2mm) grating disc PNC 650092 □
- Gastronomy Pack, Stainless Steel Disc Set containing one each of: C2S 5/64" (2mm) slicing disc, C5S 3/16" (5mm) slicing disc, J2X 5/64" (2mm) grating disc, AS4X 5/32" x5/32" (4x4mm) shredding disc, C10PS 3/8" (10mm) presser/slicer, MT10T 3/8"x3/8" (10x10mm) dicing grid PNC 650093 □
- Julienne Disc 5/64" x 5/16" (2 x 8mm) PNC 650158 □
- Julienne Disc 5/64" x 3/8" (2 x 10mm) PNC 650159 □
- Slicing Disc 3/8" (10mm) (can be combined with Dicing Grids (MT) and Grids for Chips (FT)) PNC 650160 □
- Slicing Disc 15/32" (12mm) (can be combined with Dicing Grids (MT) and Grids for Chips (FT)) PNC 650161 □

- Wavy Slicing Disc 5/16" (8mm) (can be combined with Dicing Grids (MT) and Grids for Chips (FT)) PNC 650162 □
- Wavy Slicing Disc 3/8" (10mm) (can be combined with Dicing Grids (MT) and Grids for Chips (FT)) PNC 650164 □
- Slicing Disc 33/64" (13mm) (can be combined with Dicing Grids (MT) and Grids for Chips (FT)) PNC 650165 □
- Julienne Disc 5/64" (2mm) PNC 650166 □
- Julienne Disc 1/8" (3mm) PNC 650167 □
- Set of 4 Stainless Steel Discs containing one each of: C2S 5/64" (2mm) slicing disc, C5S 3/16" (5mm) slicing disc, J2X 5/64" (2mm) grating disc and J7X 9/32" (7mm) grating disc PNC 650178 □
- Set of 7 Stainless Steel Discs containing one each of: C2S 5/64" (2mm) slicing disc, C5S 3/16" (5mm) slicing disc, J2X 5/64" (2mm), J7X 9/32" (7mm) grating disc, AS4X 5/32"x5/32" (4x4mm) shredding disc, C10PSB 3/8" (10mm) presser/slicer, MT10T 3/8"x3/8" (10x10mm) dicing grid PNC 650179 □
- Stainless steel work table assembly. PNC 653283 □
- Dicing Grid 3/16" x 3/16" (5 x 5mm) (can be combined with Slicing Discs [C] and Wavy Slicing Discs (CW)) PNC 653566 □
- Dicing Grid 5/16" x 5/16" (8 x 8mm) (can be combined with Slicing Discs [C] and Wavy Slicing Discs (CW)) PNC 653567 □
- Dicing Grid 3/8" x 3/8" (10 x 10mm) (can be combined with Slicing Discs [C] and Wavy Slicing Discs (CW)) PNC 653568 □
- Dicing Grid 15/32" x 15/32" (12 x 12mm) (can be combined with Slicing Discs [C] and Wavy Slicing Discs (CW)) PNC 653569 □
- Dicing Grid 25/32" x 25/32" (20 x 20mm) (can be combined with Slicing Discs [C] and Wavy Slicing Discs (CW)) PNC 653570 □
- Grid for Chips 1/4" (6mm) (can be combined with Slicing Discs [C] and Wavy Slicing Discs (CW)) PNC 653571 □
- Grid for Chips 5/16" (8mm) (can be combined with Slicing Discs [C] and Wavy Slicing Discs (CW)) PNC 653572 □
- Grid for Chips 3/8" (10mm) (can be combined with Slicing Discs [C] and Wavy Slicing Discs (CW)) PNC 653573 □
- Smooth blade rotor for 7.4 quart cutter/mixer PNC 653583 □
- Microtooth blade rotor for 7.4 quart cutter/mixer PNC 653584 □
- Lid & bowl scraper, 7.4 quart, for cutter/mixer PNC 653592 □
- Bowl, 7.4 quart, for cutter/mixer, stainless steel PNC 653593 □
- Kit for Vegetable Slicer conversion for variable speed cutter/mixer PNC 653594 □
- Smooth blade rotor for 7.4 quart cutter/mixer for emulsions PNC 653712 □
- TRS & TRK ejector plate (fits with following PNCs: 603800, 603801, 603802, 603803, 603811, 603812, 603813) PNC 653772 □
- Grating Disc 5/64" (2mm) PNC 653773 □
- Grating Disc 1/8" (3mm) PNC 653774 □
- Grating Disc 5/32" (4mm) PNC 653775 □
- Grating Disc 9/32" (7mm) PNC 653776 □
- Grating Disc 11/32" (9mm) PNC 653777 □



Electrolux

**Vegetable Slicer
TRK70 Cutter Slicer - 7.4qt -
Variable Speed**

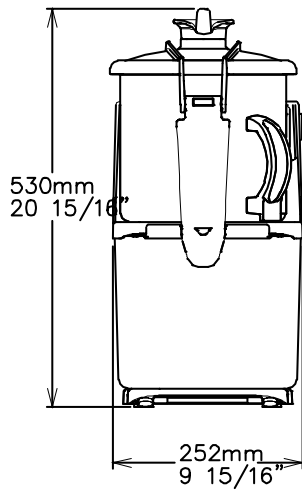
- Grating Disc for breadcrumbs/potatoes PNC 653778 □
- Grating Disc for parmesan/chocolate PNC 653779 □



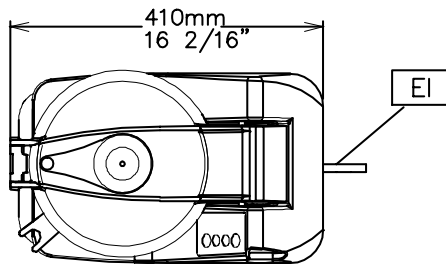
Electrolux

**Vegetable Slicer
TRK70 Cutter Slicer - 7.4qt -
Variable Speed**

Front

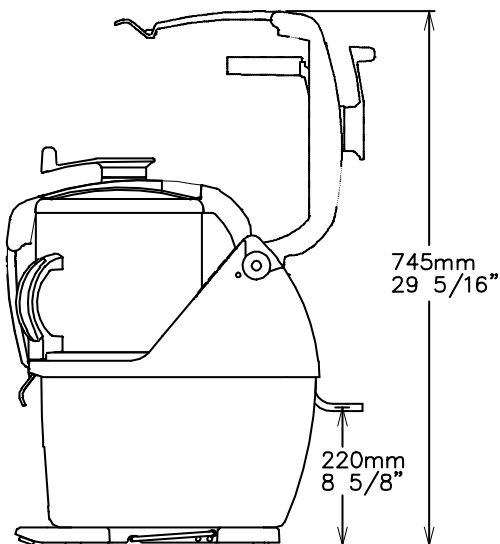


Top



EI = Electrical connection

Side



Electric

Supply voltage:

603813 (TRK70VVNU) 100-120 V/1N ph/50/60 Hz

Electrical power, max:

1.5 kW

Total Watts:

1.5 kW

Key Information:

External dimensions, Width: 9 15/16" (252 mm)

External dimensions, Depth: 19 1/16" (485 mm)

External dimensions, Height: 20 7/8" (530 mm)

Shipping width: 12 13/16" (325 mm)

Shipping depth: 32 1/16" (815 mm)

Shipping height: 23 5/8" (600 mm)

Shipping weight: 73 lbs (33 kg)

**Vegetable Slicer
TRK70 Cutter Slicer - 7.4qt - Variable Speed**

The company reserves the right to make modifications to the products without prior notice. All information correct at time of printing.

2017.03.15