



Cooking Sandwich Press SpeedDelight with flexible plate, ribbed removable teflon upper plate (Jan 2017)

ITEM # _____
 MODEL # _____
 NAME # _____
 SIS # _____
 AIA # _____



SpeedDelight with flexible plate, ribbed removable teflon upper plate
 (Jan 2017)



Cooking Sandwich Press

SpeedDelight with flexible plate, ribbed
removable teflon upper plate (Jan 2017)

603870 (HSPP3RPRS) SpeedDelight with Flexible
Top ribbed Contact Plate,
dark grey

Short Form Specification

Item No. _____

SpeedDelight High Speed Cooking Platform - Fast, Friendly, Easy and Smart. Lid and top plate constructed in 304 AISI stainless steel and with external high-grade composite material paneling and handle. Self-adjusting upper plate adapting to food thickness or lockable in fixed position to avoid contact with food. Possibility to manually adjust the maximum movement of the upper plate. Ribbed top contact plate 8 7/16" x 8 7/16" (215 x 215 mm) in aluminum with non-stick coating. Can accept food products from 25/64" to 2 61/64" (10 to 75 mm) thick. Smooth 5/32" (4 mm) thick quartz glass bottom cooking surface 10" x 10" (250 x 250 mm). Two (2) probes independently control the temperature of the top and bottom plates from 212 to 536°F (100 to 250 °C). Automatic lid holding and lifting of the lid at the end of the cooking cycle via mechanical spring. Electronic control with digital 4.3" LED display, countdown display and buzzer at the end of the cycle.

Green technology - The exclusive Energy Saving Mode works when the lid is closed to activate the stand-by mode; SpeedDelight consumes 60% less energy.



APPROVAL: _____

Main Features

- It combines 3 cooking technologies: contact, infrared radiation and microwaves to provide perfectly cooked food, heated to the core.
- Self adjusting upper plate to heat food adapting to its thickness.
- The Energy Saving Mode automatically switches to stand-by after an amount of time settled by the operator (from 1 to 60 minutes).
- Delivered with USB port and wi-fi connection to optimize workflows allowing local and remote interaction (temperatures, countdowns, warnings).
- Electronic control with digital 4.3" LED display with adjustable brightness.
- Countdown display and buzzer with adjustable volume at the end of the cycle.
- 8 programs selectable on the display. The 8 programs can be adjusted by the user. The programmable parameters are:
 - top plate temperature
 - bottom plate temperature
 - total duration of each cycle
 - duration and distribution of microwaves within each cycle.
- 4 pre-loaded Programs (editable):
 - P1 = 30 sec. (20 sec. MW)
 - P2 = 40 sec. (30 sec. MW)
 - P3 = 50 sec. (40 sec. MW)
 - P4 = 60 sec.
 The remaining four are not pre-loaded and should be programmed by Users according to their specific menus.
- Automatic mechanical lid holding and opening system controlled.
- Ergonomic handle for easy movement of the lid.
- ETL safety approved, complies with UL 923 and CAN/CSA 22.2 standards.
- ETL sanitation approved, complies with NSF/ANSI 4 standard.
- IPX4 water resistance certification.

Construction

- Aluminum ribbed top contact plate 8 7/16" x 8 7/16" (215 x 215 mm) treated with a special non-stick coating.
- Smooth 5/32" (4 mm) thick quartz glass bottom cooking surface 9 13/16" x 9 13/16" (250 x 250 mm).
- Two (2) temperature probes for an independent control of the top and bottom plate temperature.
- Independent temperature setting of the top and bottom plates from 212 to 536°F (100 to 250 °C).
- Automatic lifting of the lid at the end of the cooking cycle via mechanical spring.
- Lid, back cover and bottom all in AISI 304 S/S.
- Lid covers, handle and side panels in high-grade reinforced composite material.
- 800W heating element on the top plate.
- 800W electrical armored heating elements on the

Electrolux Professional, Inc.

www.electroluxusa.com/professional

10200 David Taylor Drive, Charlotte, NC 28262 • Telephone Number: 866-449-4200 • Fax Number: 704-547-7401

Cooking Sandwich Press
 (Jan 2017)



bottom plate.

- 2 x 1050W magnetrons for microwave.
- Front air inlet and back outlet for efficient cooling ventilation allows easy air filters removal and side by side installation.
- Included accessories: brush, spatula, scraper, 2 3/4" (75 mm) high stainless steel feet and de-greaser cleaning agent.

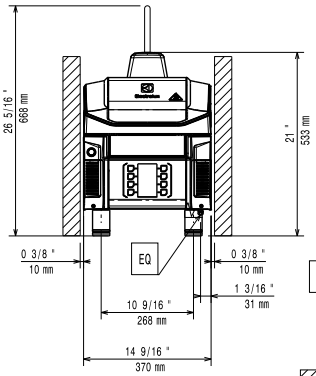
Included Accessories

- 1 of Glass saver for SpeeDelight PNC 653527
- 1 of Cleaning brush for SpeeDelight PNC 653623
- 1 of Spatula for SpeeDelight PNC 653625
- 1 of SpeeDelight Spacer Stop Kit for Rear Ventilation PNC 653794

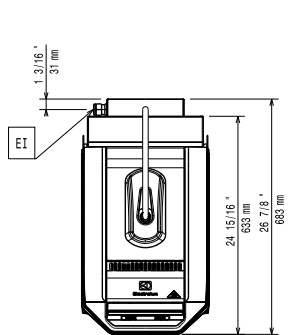
Optional Accessories

- Glass saver for SpeeDelight PNC 653527
- Cleaning brush for SpeeDelight PNC 653623
- 4x1qt "GREASE EXPRESS" detergent bottles for High Speed Sandwich Press
- Spatula for SpeeDelight PNC 653625
- Special scraper for HSG Panini PNC 653690
- 16 ounce Spray Bottle for detergent for High Speed Sandwich Press PNC 653695
- Removable ribbed teflon plate for SpeeDelight PNC 653787
- Four (4) Rubber Feet 1 1/32" (26mm) PNC 653792
- Four (4) Rubber Feet 1 37/64" (40mm) PNC 653793
- SpeeDelight Spacer Stop Kit for Rear Ventilation PNC 653794

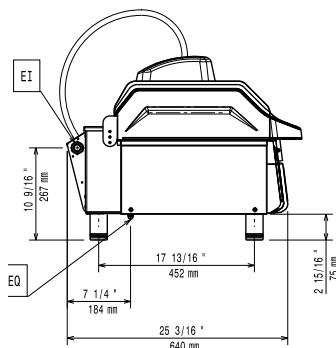
Front



Top



Side



EI = Electrical connection

EO = Electrical Outlet

Electric

Supply voltage:

603870 (HSPP3RPRS) 208 V/1 ph/60 Hz

Amps: 26 A

Electrical power, max: 5 kW

Total Watts: 5 kW

Plug type: NEMA 6 -30

Minimum Circuit Ampacity (MCA): 30A

Installation:

Clearance: 7 1/2" (190mm) from rear vertical panel

Key Information:

External dimensions, Width:	14 3/16" (361 mm)
External dimensions, Depth:	26 9/16" (675 mm)
External dimensions, Height:	24 13/16" (630 mm)
Net weight:	79 lbs (36 kg)
Shipping width:	17 3/4" (450 mm)
Shipping depth:	30 11/16" (780 mm)
Shipping height:	26 3/4" (680 mm)
Shipping weight:	119 lbs (54 kg)
Shipping volume:	8.43 ft ³ (0.24 m ³)