



Electrolux

Spin Dryers Vegetable Washer & Spin Dryer, 4/13LBS-120V

ITEM # _____

MODEL # _____

NAME # _____

SIS # _____

AIA # _____



Spin Dryers

Vegetable Washer & Spin Dryer,
4/13LBS-120V

660080 (LVA100BU)

VEGETABLE
WASHER&SPIN DRYER
4/13LBS-120V

Short Form Specification

Item No. _____

LVA100BU-Vegetable Washer & Spin Dryer, automatic, 4-6 lbs. load per cycle, (light vegetables) 13 lbs, (heavy vegetables) 3 automatic washing cycles, stainless steel bearing frame, external paneling, lid & extractable basket, 400 rpm, 1-1/4 HP, 120v/60/1, 10.5 amps, and NEMA 5-20P

Main Features

- Lid microswitch prevents the maching from operating with the lid open.
- Electromagnetic device stops the machine if lid is lifted during operation.
- Easy to clean, efficient filter system.
- Three automatic washing cycles (with or without sanitation), manual draining and manual spinning.
- Two turbulence levels (soft for light vegetables, and strong for heavy vegetables).
- Immersion wash or spray wash (tub filled at low level).
- Drain through solenoid valve.
- Peristaltic dispenser to add sanitizing during immersion wash.
- Supplied with:
 - 304 stainless steel basket with small square roundish holes 1/5" x 1/5" (5x5 mm) - PNC 921014.
- 500 ml tank placed in front of the machine to be filled with the sanitizing product.
- Self-braking motor to stop the basket rotation as soon as the cover is lifted (magnetic micro).
- Load per cycle: 4-6 lbs (2-3 kg) in light vegetables; 13 lbs (6 kg) in heavy vegetables.

Construction

- Bearing frame, external panelling, lid and extractable basket in 304 AISI stainless steel.
- Basket support in corrosion resistant aluminum.
- Spin rotation speed of 270 rpm.
- Two speeds pump for immersion wash and spray wash.
- Adjustable feet 8" (200 mm) high.

Optional Accessories

- Basket, with small holes, for vegetable washer and spin dryer PNC 921014



APPROVAL: _____

Electrolux Professional, Inc.

www.electroluxusa.com/professional

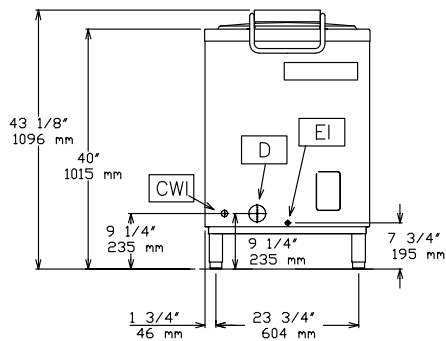
10200 David Taylor Drive, Charlotte, NC 28262 • Telephone Number: 866-449-4200 • Fax Number: 704-547-7401



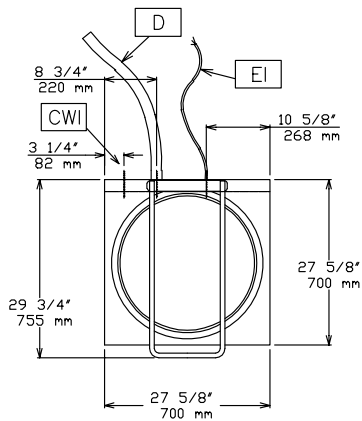
Electrolux

Spin Dryers
Vegetable Washer & Spin Dryer, 4/13LBS-120V

Front

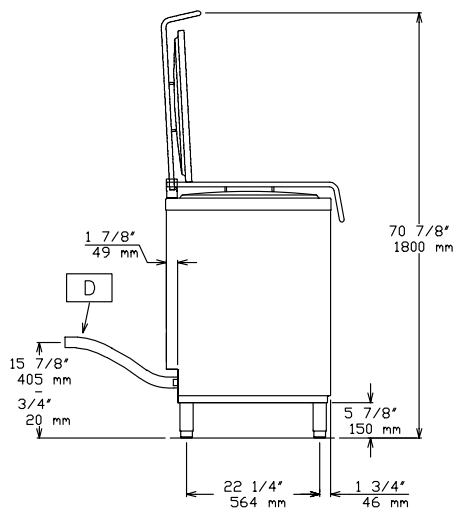


Top



- CWI = Cold Water inlet
 D = Drain
 EI = Electrical connection

Side



Electric

| | | |
|------------------------|-------------------|-------------------|
| Supply voltage: | 660080 (LVA100BU) | 120 V/1N ph/60 Hz |
| Electrical power, max: | | 0.9 kW |
| Total Watts: | | 0.9 kW |
| Plug type: | | USA-NEMA 5 20 |

Key Information:

| | |
|------------------------------------|-------------------|
| Well Capacity: | 30 lt |
| Usable well capacity: | 30 lt |
| Load per cycle - light vegetables: | 2-3 kg |
| Load per cycle - heavy vegetables: | 6 kg |
| Rotation Speed: | 400 RPM |
| External dimensions, Width: | 27 9/16" (700 mm) |
| External dimensions, Depth: | 27 9/16" (700 mm) |
| External dimensions, Height: | 39 3/8" (1000 mm) |