



# Electrolux

## EMPower Two (2) Drawer Refrigerated- Freezer Base - 36"

ITEM # \_\_\_\_\_

MODEL # \_\_\_\_\_

NAME # \_\_\_\_\_

SIS # \_\_\_\_\_

AIA # \_\_\_\_\_



EMPower

Two (2) Drawer Refrigerated-Freezer Base - 36"

727094 (COMP36)

EMPower Restaurant Range Dual Temp refrigerated/freezer Base, 36" wide, (2) drawers accommodates (1) 12"x20" pans per drawer, (2) digital thermostats, perforated top surface, self-contained, stainless steel construction, 6" adjustable, removable legs

### Short Form Specification

#### Item No. \_\_\_\_\_

EMPower unit to be Electrolux Dual Temp Two (2) Drawer Refrigerated/Freezer Base with built-in compressor EMPower unit. EMPower unit able to operate both as refrigerator or as freezer, with tEMPowerperature range from -7.6°F to +46.4°F (-22°C to +8°C). Digital thermostat and display are protected by the Stainless Steel front panel. Stainless Steel front panel with incorporated Stainless Steel wire netting is easy to rEMPowerove for access to the thermostat and to allow for easy cleaning. May be installed below any top EMPower unit. Perforated top surface provides the necessary ventilation to allow for a flush connection between base and Electrolux top EMPower units, eliminating the need for the top EMPower unit legs. Each drawer to accommodate one (1) 12" x 20" x 6" deep pan or one (1) 325 mm x 530 mm (1/1 GN) pan. Drawer guides with safety stop mechanism can support up to 264 lbs. (120 kg) and are removable for cleaning. Magnetic snap-in drawer gaskets are removable for cleaning. Perforated bottom plate in each drawer guarantees correct air-flow, allows for small pans to stand upright and is removable for cleaning. Perforated bottom plate can support up to 55 lbs. (25 kg). Forced air circulation for rapid

cooling and an even tEMPowerperature distribution. Access to all components from the front and bottom. CFC free (ecological refrigerant type: R404a, - gas in foam: cyclopentane). Suitable for use in ambient tEMPowerperatures of up to 104 °F (40 °C). Rounded corners inside well for safe and easy cleaning. Constructed entirely in AISI 304 Stainless Steel with Scotch Brite finish. Right-angled side edges to allow flush fitting joints between EMPower units, minimizing gaps and possible dirt traps. Heavy duty Stainless Steel tubular drawer handles. Supplied with 6" (150 mm) height adjustable, removable legs. EMPower unit may be installed on castors.

### Main Features

- Two (2) Drawer Refrigerated/Freezer Base with built-in compressor unit.
- Unit able to operate both as refrigerator or as freezer, with temperature range from -7.6 °F to +46.4 °F (-22° C to +8°C).
- Digital thermostat and display are protected by the Stainless Steel front panel.
- Stainless Steel front panel with incorporated Stainless Steel wire netting is easy to remove for access to the thermostat and to allow for easy cleaning.
- May be installed below any top unit.
- Perforated top surface provides the necessary ventilation to allow for a flush connection between base and Electrolux top units, eliminating the need for the top unit legs.
- Each drawer to accommodate one 12" x 20" x 6" deep pan or one 325 mm x 530 mm (1/1 GN) pan.
- Drawer guides with safety stop mechanism can support up to 264 lbs. (120 kg) and are removable for cleaning.
- Magnetic snap-in drawer gaskets are removable for cleaning.
- Perforated bottom plate in each drawer guarantees correct air-flow, allows for small pans to stand upright and is removable for cleaning.
- Perforated bottom plate can support up to 55 lbs. (25 kg).
- Forced air circulation for rapid cooling and an even temperature distribution.
- Access to all components from the front and bottom.
- Suitable for use in ambient temperatures of up to 104 °F (40 °C).
- Rounded corners inside well for safe and easy cleaning.
- Right-angled side edges to allow flush fitting joints between units, eliminating gaps and possible dirt traps.
- Heavy duty Stainless Steel tubular drawer handles.
- Supplied with 6" (150 mm) height adjustable, removable legs.
- Unit may be installed on castors.



APPROVAL: \_\_\_\_\_

Electrolux Professional, Inc.

[www.electroluxusa.com/professional](http://www.electroluxusa.com/professional)

10200 David Taylor Drive, Charlotte, NC 28262 • Telephone Number: 866-449-4200 • Fax Number: 704-547-7401



Electrolux

EMPower  
Two (2) Drawer Refrigerated-Freezer Base - 36"



**Electrolux**

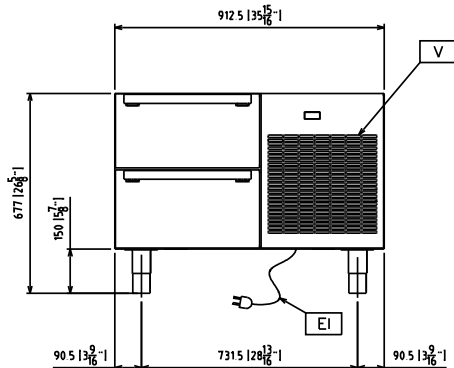
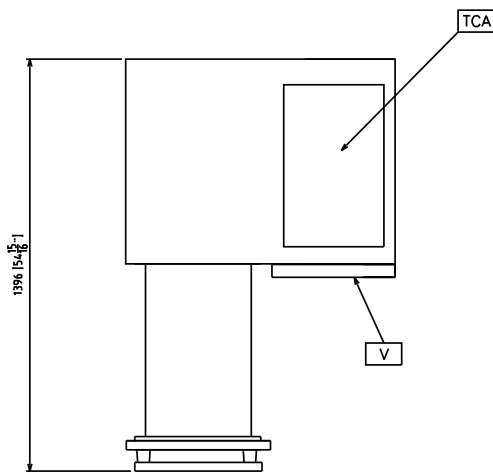
**EMPower  
Two (2) Drawer Refrigerated-  
Freezer Base - 36"**

**Construction**

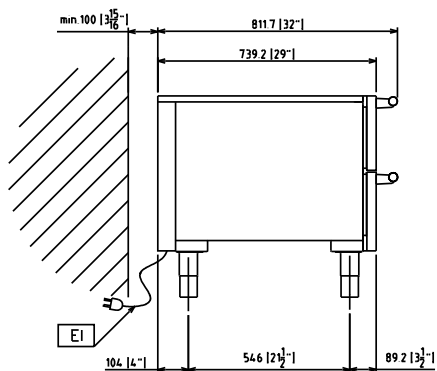
- CFC free (ecological refrigerant type: R404a, - gas in foam: cyclopentane).
- Constructed entirely in AISI 304 Stainless Steel with Scotch Brite finish.

**Optional Accessories**

- Kit of 4 wheels (2 with brake) for refrigerated/freezer base 36" and 48" PNC 880123
- EMPower support for containers in refrigerated bases PNC 880249
- EMPower 36" stainless steel top (with rear splash & sides) for refrigerated/freezer base PNC 880314

**Front**

**Top**


EI = Electrical connection  
EQ = Equipotential screw

**Side**

**Electric**

Supply voltage:	727094 (COMP36)	120 V/1N ph/60 Hz
Amps:		7.2 A
Total Watts:		0.7 kW
Plug type:		NEMA 5-15

**Key Information:**

External dimensions, Width:	35 15/16" (913 mm)
External dimensions, Depth:	32 1/64" (813 mm)
External dimensions, Height:	26 3/4" (680 mm)
Net weight:	216 lbs (98 kg)
Shipping width:	38 9/16" (980 mm)
Shipping depth:	33 7/16" (850 mm)
Shipping height:	30 11/16" (780 mm)
Shipping weight:	313 lbs (142 kg)
Shipping volume:	22.94 ft <sup>3</sup> (0.65 m <sup>3</sup> )
Refrigerant weight:	0.287 lbs (130 g)

**Refrigeration Data**

Compressor power:	3/4 hp
Refrigerant type:	R404a
Refrigeration power:	1958 W