



BB340S

Blade Series 1 HP Blender Electronic
Touchpad with 99-Second Countdown
Timer and 48 oz. Stainless Steel Container



MAIN FEATURES

- Powerful, 1 HP commercial motor with 2 speeds and PULSE function
- Electronic touchpad controls with 99-second countdown timer and LOW, HIGH, STOP, PULSE and ON/OFF
- 1-piece, 48 oz. stainless steel jar with industrial steel blade
- Removable, rubberized jar pad dampens sound and makes cleanup easy
- Blend three, 16 oz. margaritas in 12 seconds or less
- Recommended for 25–49 drinks per day
- Limited Two-Year Warranty

*Made in USA with US and foreign parts.

ELECTRICAL

Voltage: 120

Frequency: 60Hz

Watts: 820

Amps: 6.8

Plug Type: NEMA 5-15P

Cord Length: 6 feet



SALES FEATURES

The Waring® BB340S Blade Series 1 HP Blender has you covered when your bar is busiest. Make three, 16 oz. margaritas in 12 seconds or less! Its 2-speed, powerful, 1 HP motor features electronic touchpad controls with ON/OFF, LOW, HIGH, STOP, and PULSE—and a 99-second countdown timer. A removable, rubberized jar pad dampens sound and makes wipe-down cleanup easy. The 48 oz. stainless steel container is dishwasher safe.



@waringcommercial

©2019 Waring Commercial
314 Ella T. Grasso Avenue, Torrington, CT 06790
Tel. 800-492-7464 • Fax 860-496-9008

waringcommercialproducts.com

Blade Series 1 HP Blender Electronic Touchpad with 99-Second Countdown Timer and 48 oz. Stainless Steel Container

BB340S



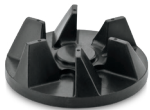
PARTS & ACCESSORIES



CAC138 48 oz. Stainless Steel Blender Container



CAC132 48 oz. Copolyester Blender Container



CAC137 Clutch Repair Kit (12 pack)



CAC141 Blending Assembly

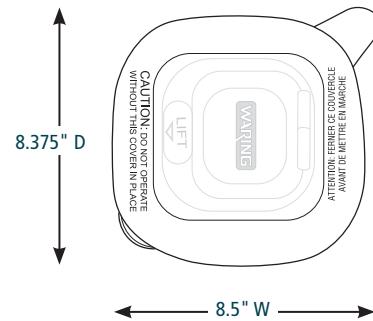
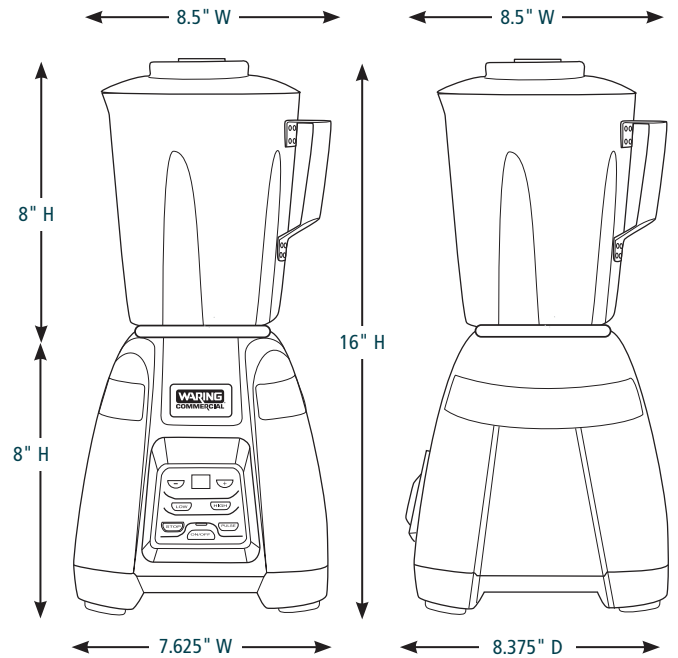


CAC142 Blender Lid



CAC143 Jar Pad

DIMENSIONS



Out of Box Weight: 8.4 lb.

ORDERING INFORMATION	#STD. PKG.	GIFTBOX WEIGHT	CUBIC FEET	BOX DIMENSIONS D x W x H	UPC	CASE PKG.	MC WEIGHT	MC DIMENSIONS D x W x H	MBC
BB340S – Electronic Touchpad with 99-Second Countdown Timer and 48 oz. Stainless Steel Container	1	10	.89	10.1" x 10.1" x 15.1"	040072035081	2	21.4	21" x 10.6" x 16.1"	10040072035088



@waringcommercial

©2019 Waring Commercial
 314 Ella T. Grasso Avenue, Torrington, CT 06790
 Tel. 800-492-7464 • Fax 860-496-9008

waringcommercialproducts.com

19WC059578 / REV 08/19