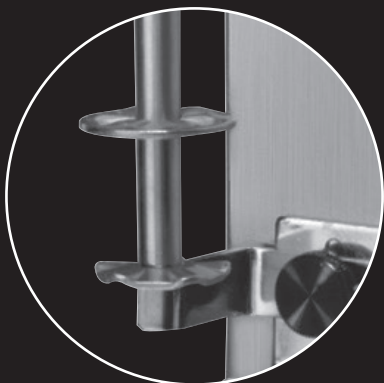


**WARING**  
COMMERCIAL®



Optional mixer cup fits all  
standard drink mixers



Stainless steel spindle blade



Simple HI/LO speed controls

# HEAVY DUTY DRINK MIXERS



**DMC201DCA**



**DMC180DCA**

- High-performance 1 peak input HP, two-speed commercial motor
- Durable die-cast metal motor housings – quiet operation that's cool to the touch
- Optional mixer cup CAC20 stainless steel, 28-oz. capacity fits all standard drink mixers
- Simple HI/LO speed controls
- Automatic START/STOP for hands-free operation
- Ball bearings are lubed for life
- 120V, 60 Hz ⓘ
- Limited One Year Warranty



Intertek

**DMC180DCA/DMC201DCA**



# HEAVY DUTY DRINK MIXERS



DMC201DCA



DMC180DCA

ITEM	ELECTRICAL	LISTINGS	OUT OF BOX WEIGHT (LB.)	OUT OF BOX DIMENSIONS L x W x H	CORD LENGTH	WARRANTY
DMC180DCA	120 VAC, 60 Hz	cETLus, NSF	4.8	8.75" x 4.5" x 14.75"	Hardwired	Limited 1 Year
DMC201DCA	120 VAC, 60 Hz	cETLus, NSF	28.14	8" x 14.5" x 20"	5.6 Feet	Limited 1 Year

ORDERING INFO INFORMATION	#STD. PKG.	GIFTBOX WEIGHT (LB.)	CUBIC FEET	BOX DIMENSIONS L x W x H	UPC	CASE PKG.	MC WEIGHT (LB.)	MC DIMENSIONS L x W x H	MBC
DMC180DCA – Heavy-Duty Drink Mixer	4	5.3	.30	14.7" x 4.75" x 7.5"	040072010453	4	22.8	15.5" x 10.7" x 16.1"	10040072010450
DMC201DCA – Heavy-Duty Drink Mixer	1	32.2	2.0	9.7" x 17.1" x 21.6"	040072010361	1	32.2	22" x 18" x 10.5"	10040072010368



@waringcommercial

waringcommercialproducts.com

©2018 Waring Commercial  
314 Ella T. Grasso Avenue, Torrington, CT 06790  
Tel. 800-492-7464 • Fax 860-496-9008  
18WC052569