



MX1200TXP



XPREP® Hi-Power Variable-Speed Food Blender with 48 oz., BPA-Free Copolyester Container



*Made in USA with US and foreign parts.

ELECTRICAL

Voltage: 120

Frequency: 60Hz

Watts: 1560

Amps: 12.5

Plug Type: A

Cord Length: 6 feet



MAIN FEATURES

- Heavy-duty, 3.5 peak HP, high-performance motor with 2-speed selection is the strongest in its class. It powers through the toughest ice and frozen fruit mixtures in seconds
- Super-high, 45,000 RPM motor speed is ferocious enough for everything from smoothies and frozen drinks to thick spreads, desserts, dressings and all types of food preparation
- Simple HI, LO, ON/OFF and PULSE paddle switches, and variable speed knob are easy to use and easy to find in dimly lit locations
- PULSE function with maximum 30,000 RPM burst of speed
- The Raptor® 48 oz., stackable, unbreakable, dishwasher-safe, BPA-free copolyester container
- High-performance, high-impact, stainless steel blade is user replaceable for easy servicing
- Easily removable container cover with removable clear cap for adding ingredients and pressure reduction during hot food blending
- User replaceable, metal-on-metal, stainless steel coupling system between base and container for durability and reliability
- One-piece, dishwasher-safe, removable jar pad
- Optional sound enclosure easily retro-fits to base for noise reduction
- Recommended for 75+ drinks per day
- Limited Three-Year Motor Warranty and Two-Year Parts & Labor Warranty

SALES FEATURES

Get smooth, consistent results every time with the Waring® MX1200TXP. This heavy-duty, 3.5 HP blender offers maximum power and efficiency with the strongest motor in its class. Rev it up with variable speed controls from 1,500 to 20,000 RPM and a max pulse of 30,000 RPM. Perfect for a busy bar, health facility, school or coffee shop.

XPREP® Hi-Power Variable-Speed Food Blender with 48 oz., BPA-Free Copolyester Container
MX1200TXP



@waringcommercial

©2019 Waring Commercial
314 Ella T. Grasso Avenue, Torrington, CT 06790
Tel. 800-492-7464 • Fax 860-496-9008

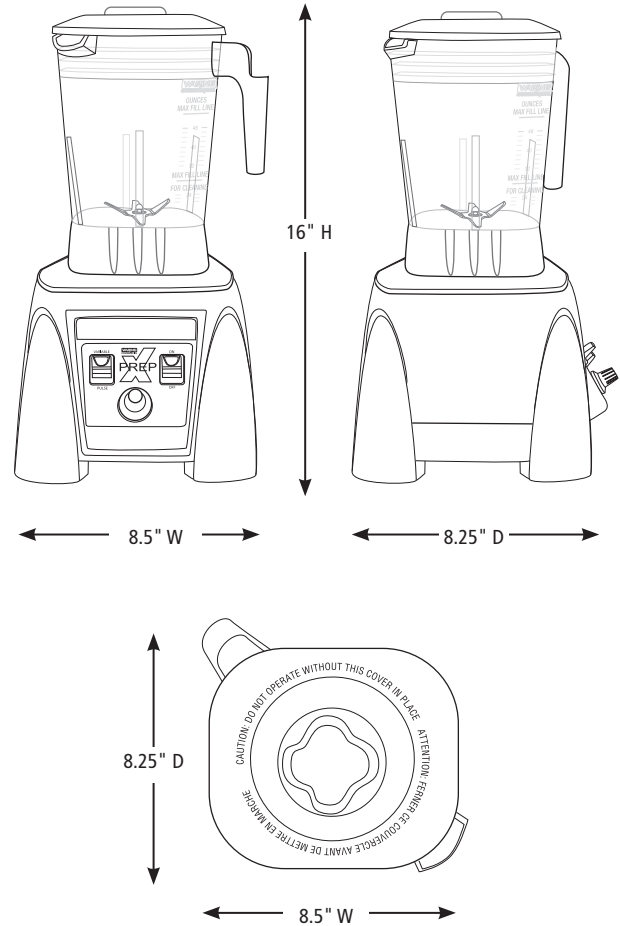
waringcommercialproducts.com



PARTS & ACCESSORIES

- | | | | |
|--|---|--|--|
| | CAC90 64-oz. Stainless Steel Container | | CAC95-12 64-oz. Green Copolyester Container |
| | CAC93X 48-oz. Copolyester Container | | CAC95-28 64-oz. Orange Copolyester Container |
| | CAC93X-03 48-oz. Yellow Copolyester Container | | CAC116 Blending Assembly Kit and Retainer Ring Kit |
| | CAC93X-06 48-oz. Blue Copolyester Container | | CAC119 Retainer Ring Wrench |
| | CAC93X-10 48-oz. Purple Copolyester Container | | CAC158 Blending Assembly Kit |
| | CAC93X-12 48-oz. Green Copolyester Container | | CAC159 Retainer Ring Kit |
| | CAC93X-28 48-oz. Orange Copolyester Container | | CAC160 Drive Coupling |
| | CAC95 The Raptor™ – Aggressive, All-Purpose, Stackable, 64-oz. BPA-Free Copolyester Container | | CAC161 Drive Coupling Removal Tool |
| | CAC95-03 64-oz. Yellow Copolyester Container | | CAC169 Spatula – Custom designed for use with MX Series Blenders |
| | CAC95-06 64-oz. Blue Copolyester Container | | SE1000 Large Sound Enclosure |
| | CAC95-10 64-oz. Purple Copolyester Container | | SE500 Small Sound Enclosure |

DIMENSIONS



Out of Box Weight: 14.4 lbs.

| ORDERING INFORMATION | #STD. PKG. | GIFTBOX WEIGHT | CUBIC FEET | BOX DIMENSIONS D X W X H | UPC | CASE PKG. | MC WEIGHT | MC DIMENSIONS D X W X H | MBC |
|--|------------|----------------|------------|--------------------------|--------------|-----------|-----------|---------------------------|----------------|
| MX1200TXP– XPREP® Hi-Power Variable-Speed Food Blender with 48 oz., BPA-Free Copolyester Container | 1 | 17 | 1.059 | 11.125" x 10.5" x 15.5" | 040072031328 | 1 | 17.5 | 11.75" x 10.75" x 16.375" | 10040072031325 |

