

# CONAIR®

## HOSPITALITY

# WCI205

## Conair® Steam and Dry Iron



- Compact Size for Easy Storage
- Auto Shutoff
- Nonstick Soleplate
- See-through Water Tank Window and sliding Tank Cover for Easy Filling
- Adjustable Temperature Control

### Specifications

|             |               |
|-------------|---------------|
| Rated Power | 120 V – 60 Hz |
| Power Cord  | 8 foot        |
| Wattage     | 1100 Watts    |

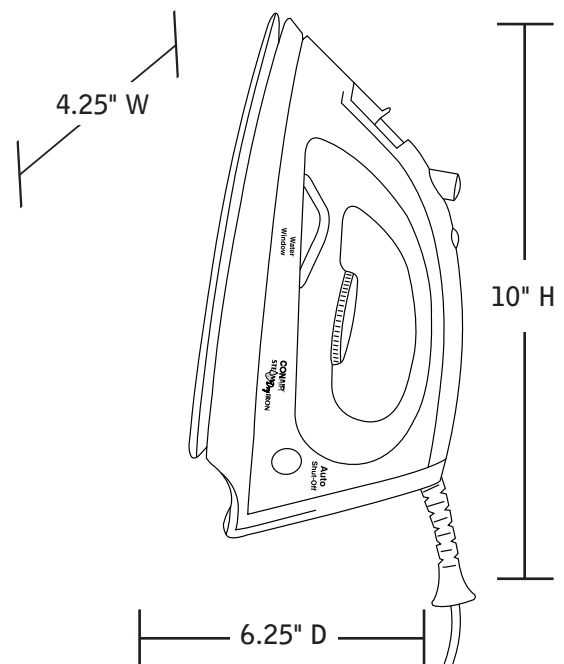


### Packing Dimensions and Weight

|                 |                            |
|-----------------|----------------------------|
| Master Pack     | 6 units                    |
| Case Dimensions | 14.375" x 10.875" x 10.75" |
| Case Weight     | 14.4 lbs.                  |
| Case Cube       | 0.97 cubic feet            |

### Product UPC      Product MBC

|              |                |
|--------------|----------------|
| 040072001277 | 10040072001274 |
|--------------|----------------|



# CONAIR®

## HOSPITALITY

# WCI205

## Conair® Steam and Dry Iron



- Compact Size for Easy Storage
- Auto Shutoff
- Nonstick Soleplate
- See-through Water Tank Window and sliding Tank Cover for Easy Filling
- Adjustable Temperature Control

### Specifications

|             |               |
|-------------|---------------|
| Rated Power | 120 V – 60 Hz |
| Power Cord  | 8 foot        |
| Wattage     | 1100 Watts    |



### Packing Dimensions and Weight

|                 |                            |
|-----------------|----------------------------|
| Master Pack     | 6 units                    |
| Case Dimensions | 14.375" x 10.875" x 10.75" |
| Case Weight     | 14.4 lbs.                  |
| Case Cube       | 0.97 cubic feet            |

### Product UPC

### Product MBC

040072001277

10040072001274

